

6

5

4

3

2

1

D

C

B

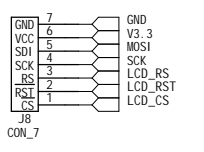
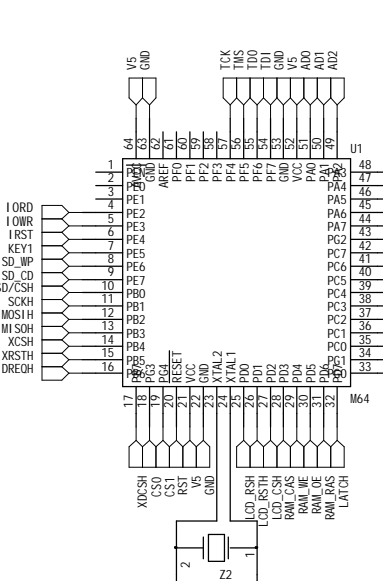
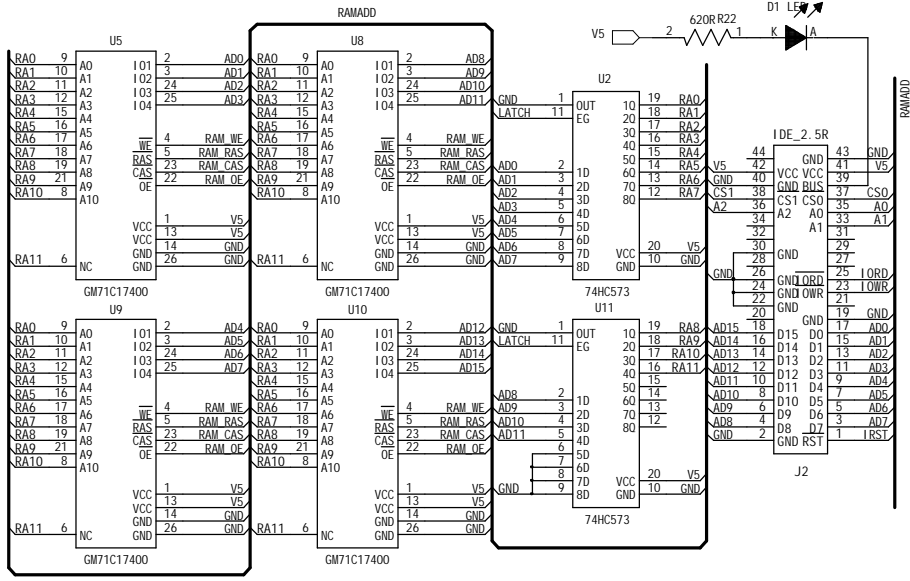
A

D

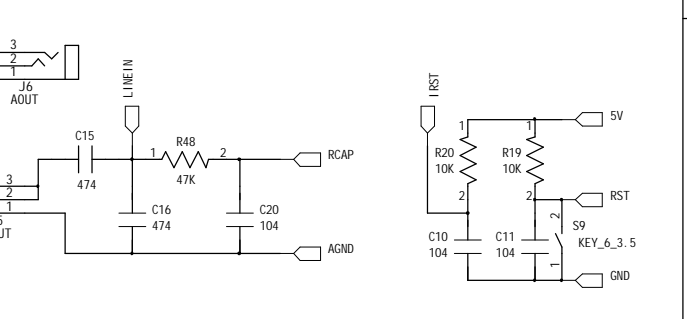
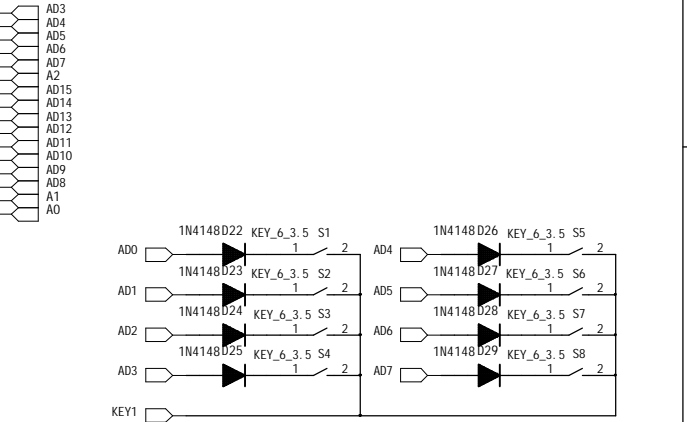
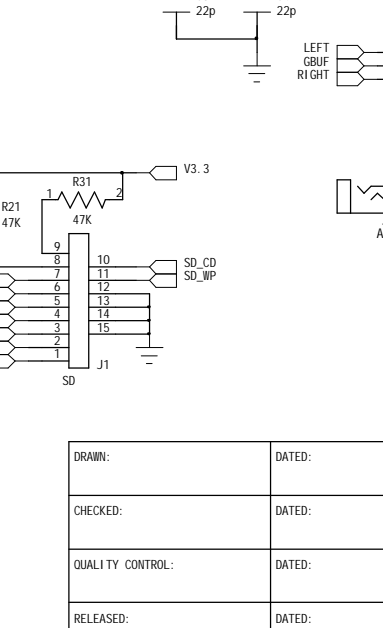
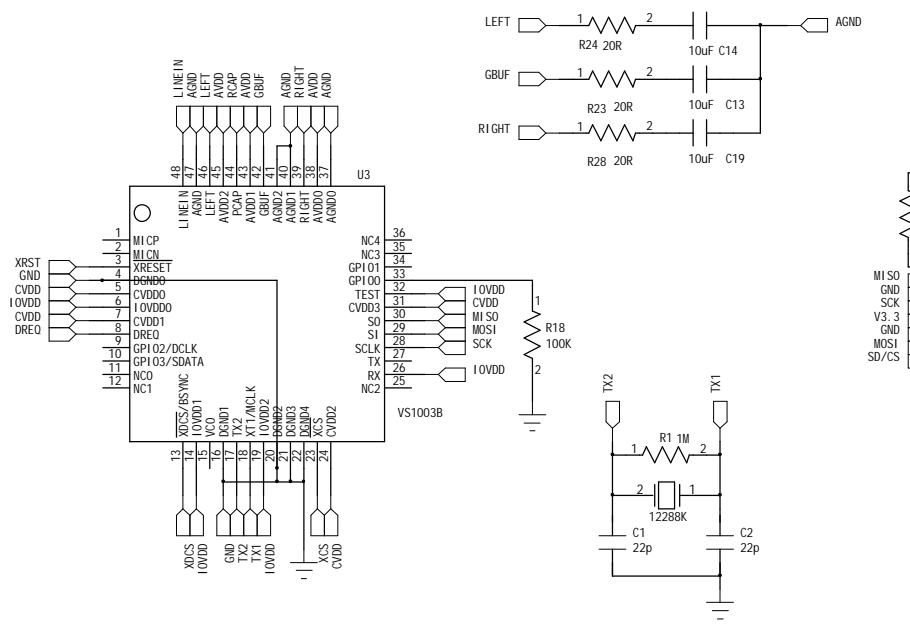
C

B

A



REVISION RECORD			
LTR	ECO NO:	APPROVED:	DATE:



COMPANY:		IDE_MP3	
TITLE:			
CODE:	SI ZE:	DRAWING NO:	REV:
SCALE:		SHEET: 1 OF 2	

DRAWN:	DATED:
CHECKED:	DATED:
QUALITY CONTROL:	DATED:
RELEASED:	DATED:

6

5

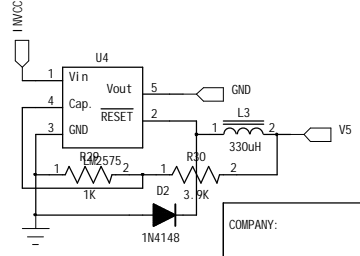
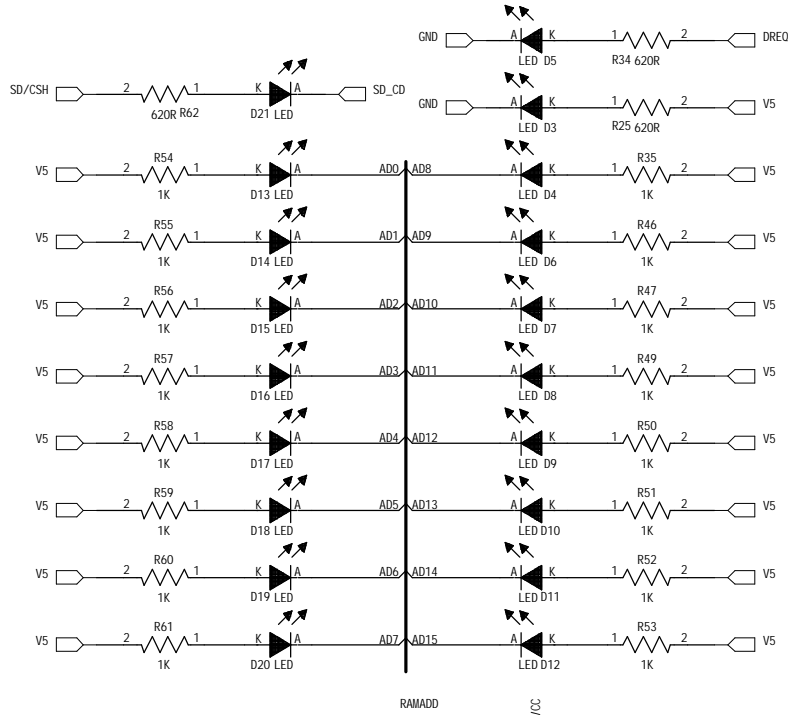
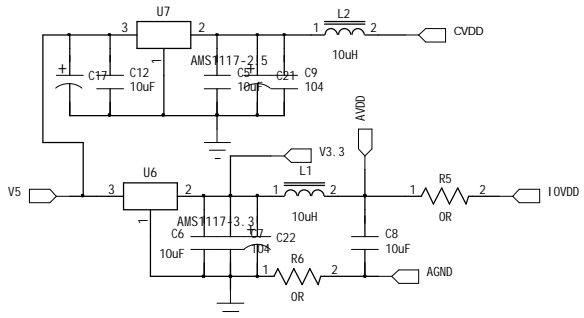
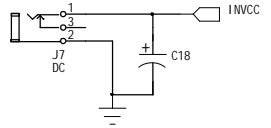
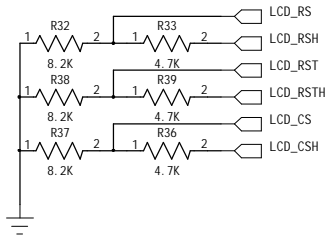
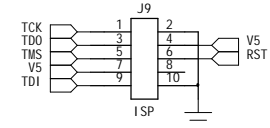
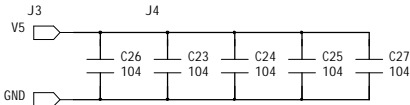
4

3

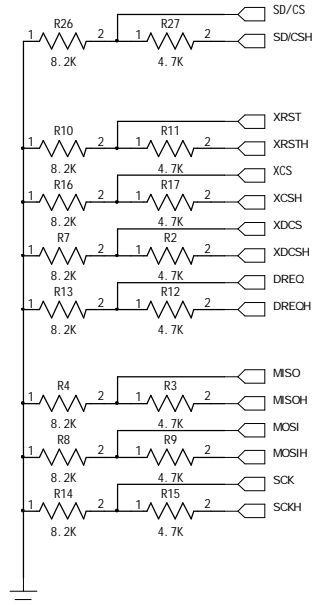
2

1

IDE_2_5R			IDE_2_5R		
44	GND	43	GND	44	
42	VCC VCC	41	VCC VCC	42	
40	GND BUS	39	GND BUS	40	
38	CS1 CS0	37	CS0 CS1	38	
36	A2 A0	35	A0 A2	36	
34	A1	33	A1	34	
32	GND	29	GND	30	
28	GND	27	GND	28	
26	GND	25	GND	26	
24	GND	23	GND	24	
22	GND	21	GND	22	
20	GND	19	GND	20	
18	D15 D0	17	D0 D15	18	
16	D14 D1	15	D1 D14	16	
14	D13 D2	13	D2 D13	14	
12	D12 D3	11	D3 D12	12	
10	D11 D4	9	D4 D11	10	
8	D10 D5	7	D5 D10	8	
6	D9 D6	5	D6 D9	6	
4	D8 D7	3	D7 D8	4	
2	GND RST	1	RST GND	2	



REVISION RECORD			
LTR	ECO NO:	APPROVED:	DATE:



COMPANY: IDE_MP3			
TITLE:			
DRAWN:	DATED:	CODE:	SI ZE:
CHECKED:	DATED:	DRAWING NO:	
QUALITY CONTROL:	DATED:	REV:	
RELEASED:	DATED:	SCALE:	
SHEET: 2 OF 2			A

D

C

B

A

D

C

B

A