

6

5

4

3

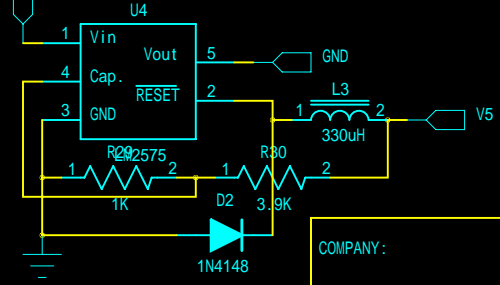
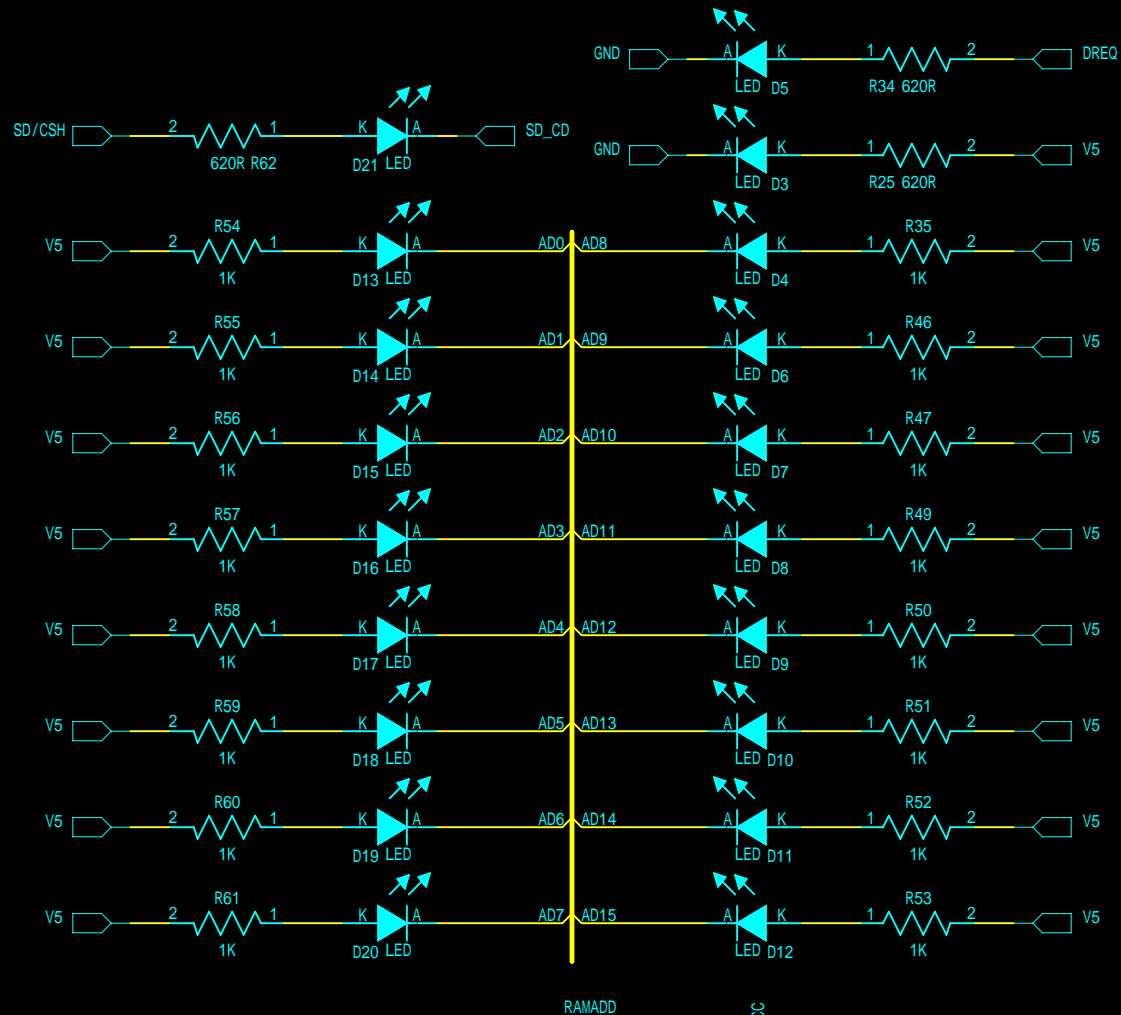
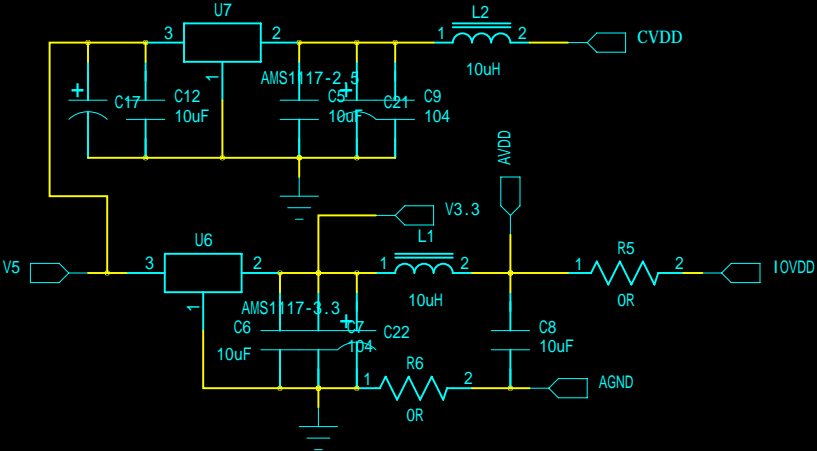
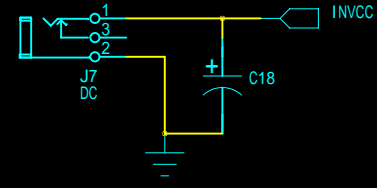
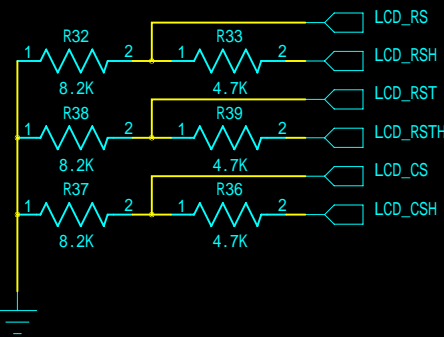
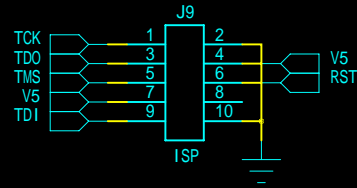
2

1

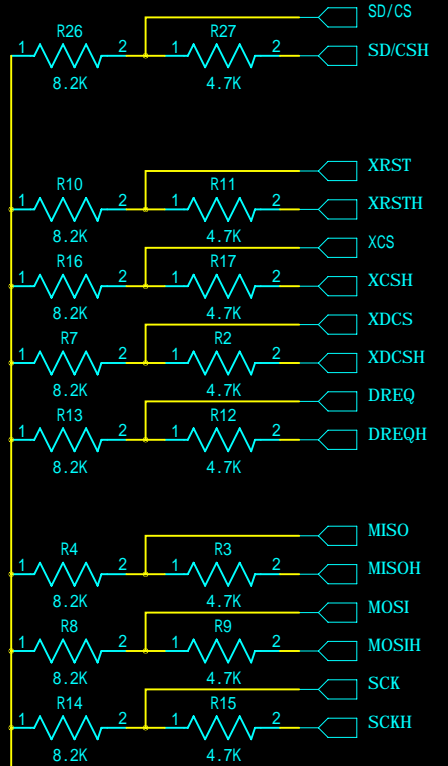
IDE_2.5R				IDE_2.5R			
44	GND	43	43	GND	44		
42	VCC	41	41	VCC	42		
40	GND	39	39	GND	40		
38	CS1	37	37	CS0	38		
36	A2	35	35	AG	36		
34	A1	33	33	A0	34		
32	GND	31	31	GND	32		
30	GND	29	29	GND	30		
28	GND	27	27	GND	28		
26	GND	25	25	GND	26		
24	GND	23	23	GND	24		
22	GND	21	21	GND	22		
20	GND	19	19	GND	20		
18	D15	17	17	D0	18		
16	D14	15	15	D1	16		
14	D13	13	13	D2	14		
12	D12	11	11	D3	12		
10	D11	9	9	D4	10		
8	D10	7	7	D5	8		
6	D9	5	5	D6	6		
4	D8	3	3	D7	4		
2	D7	1	1	D8	2		
	RST			RST			

J3

J4



REVISION RECORD			
LTR	ECO NO:	APPROVED:	DATE:



DRAWN: <Drawn By>	DATED: <Drawn Date>
CHECKED: <Checked By>	DATED: <Checked Date>
QUALITY CONTROL: <QC By>	DATED: <QC Date>
RELEASED: <Released By>	DATED: <Release Date>

COMPANY: **IDE_MP3**

TITLE: **<Title>**

CODE: <Code>	SIZE: B	DRAWING NO: <Drawing Number>	REV: <Revision>
---------------------------	----------------	---	------------------------------

SCALE: **<Scale>**

SHEET: 2 OF 2

D

C

B

A

D

C

B

A