

1

2

3

4

A

A

B

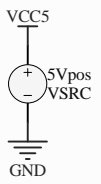
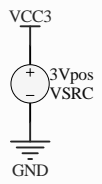
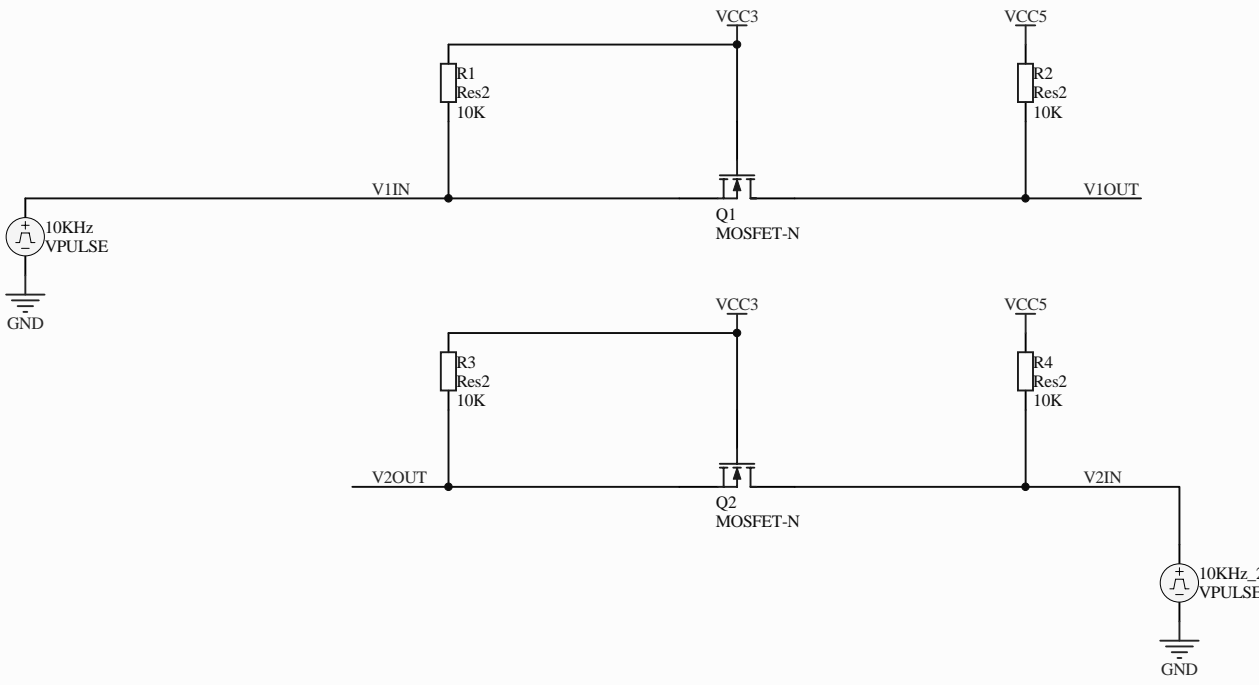
B

C

C

D

D



Title		
Size A4	Number	Revision
Date: 2008-5-30	Sheet of	
File: F:\NewDesign\电路仿真\Sheet1.SchDoc	Drawn By:	

1

2

3

4