

ATAVRMC100

.....
Hardware User Guide





Section 1	
Introduction	1-1
<hr/>	
Section 2	
Getting Started.....	2-4
<hr/>	
Section 3	
Hardware Description	3-7
<hr/>	
Section 4	
Programming ATAVRMC100.....	4-14
<hr/>	
Section 5	
Basic Test Program	5-18
<hr/>	
Section 6	
Troubleshooting Guide	6-22
<hr/>	
Section 7	
Technical Specifications	7-23
<hr/>	
Section 8	
Technical Support.....	8-24
<hr/>	
Section 9	
Complete Schematics.....	9-25



Section 1

Introduction

Congratulations on your purchase of the AVR® ATAVRMC100 evaluation kit. This document describes the board included in the ATAVRMC100 starter kit dedicated to AT90PWM3.

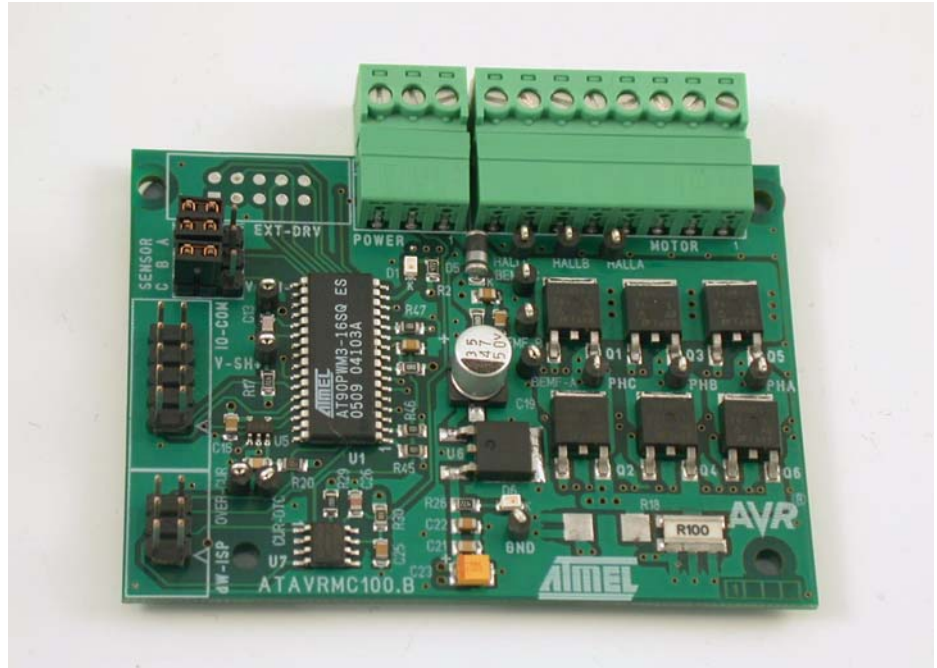
1.1 Overview

The ATAVRMC100 is an evaluation kit dedicated to brushless DC motor control, for both Hall effect sensor control and sensorless control using Back ElectroMotive Force.

The kit includes an evaluation board, a 3-phase BLDC motor and a demonstration software. It allows users to quickly evaluate the capability of the AVR® microcontroller AT90PWM3 to control high speed brushless DC motor applications.

The kit can also serve as a development platform. Low cost AVR development tools make debugging easier, and source codes, written in C, can be easily re-used by developers for their own motor control applications.

Figure 1-1 . ATAVRMC100



1.2 ATAVRMC100 Features

The ATAVRMC100 provides the following features:

- AT90PWM3-16SQ SO32 device (2.7 - 5.5V)
- On Board LIN Transceiver Atmel ATA6661
- Power bridge for BLDC Motors
- Hall Sensor or Sensorless Configuration
- Zero Crossing Voltage Detection
- Hardware Overcurrent Detection
- Motor Supply Voltage Measurement
- On-board Voltage Regulator (5V)
- AVR Studio® Software Interface⁽¹⁾
- Power-supply Flagged by Green LED
- ISP Connector for on-chip In-System-Programming
- ISP Connector for Debug Wire
- System Clock: Internal RC Oscillator Only
- Numerous Access Points for Test
- Recommended Voltage Operation from 12V to 16V DC (4A)

- Operating Temperature Range from 0°C to 70°C
- Dimension: 75 mm x 55 mm

Notes: 1. The AT90PWM3 is supported by AVR Studio®, version 4.11 Service Pack 3 or higher. For up-to-date information on this and other AVR tool products, please consult our web site. The newest version of AVR Studio®, AVR tools and this User Guide can be found in the AVR section of the Atmel web site, <http://www.atmel.com>.



Section 2

Getting Started

2.1 Unpacking the System

Kit contents:

- 1 ATAVRMC100 evaluation board with AT90PWM3.
- 1 Brushless DC motor ref : FL42BLS01-001 (3 phases, 8 poles, 12VDC)
- 1 Getting started note
- 1 Atmel Motor control CD-ROM with datasheets and demonstrations software
- 1 AVR CD-ROM software and technical library

2.2 System Requirements

ATAVRMC100 is a stand alone board. For AVR software tools, the minimum hardware and software PC requirements are:

- 486 processor (Pentium® is recommended)
- 16 MB RAM
- 15 MB free hard disk space (AVR Studio)
- Windows® 95/98/2000/ME/XP and Windows NT® 4.0 or higher

2.3 Quick Start

The evaluation board is shipped with a AT90PWM3 microcontroller. The AT90PWM3 is already programmed with demonstration code. The default jumper settings will allow the microcontroller to execute a basic program that runs the BLDC motor of the kit. The demonstration program in the AT90PWM3 is described in Section “Basic Test Program”, page 19.

Connect the motor as indicated below, motor phases (3 thick wires on pin 1,2 & 3) and Hall sensors (5 thin wires on pin 4 to 8) .

Figure 2-1 . Motor Connection on Evaluation Board

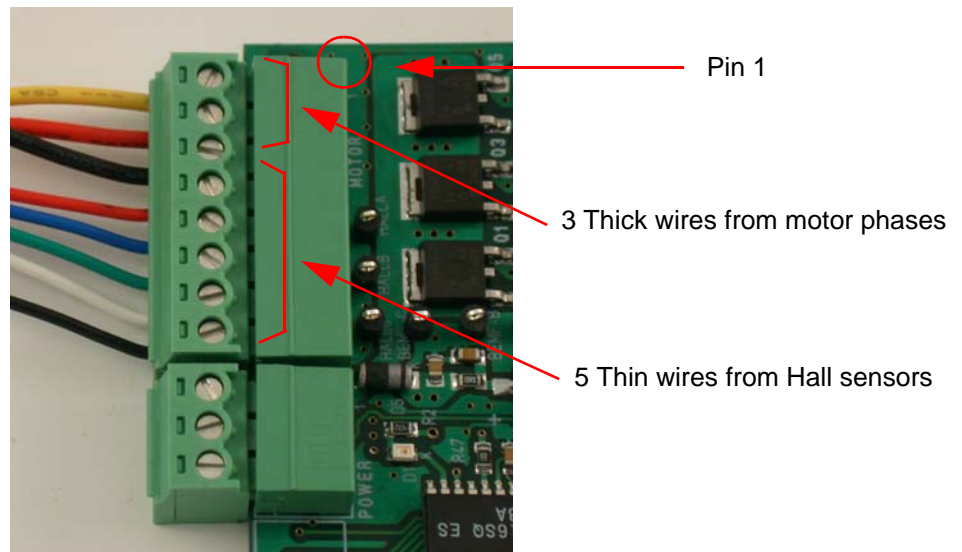


Table 2-1 . J5 Pin Numbers vs Motor Wires

Pin number	Motor Wire	Remark	Signals names on Schematics
1	Yellow	Thick wire	PH_A
2	Red	Thick wire	PH_B
3	Black	Thick wire	PH_C
4	Red	Thin Wire	VCC5V
5	Blue	Thin Wire	HALL_A
6	Green	Thin Wire	HALL_B
7	White	Thin Wire	HALL_C
8	Black	Thin Wire	GND

Connect the ATAVRMC100 to an external 9 DC - 16V DC power supply as indicated below. The power supply must be able to deliver up to 4 amps of power.

Figure 2-2 . Supply Connection on ATAVRMC100 Development Board

J1 Power Connector

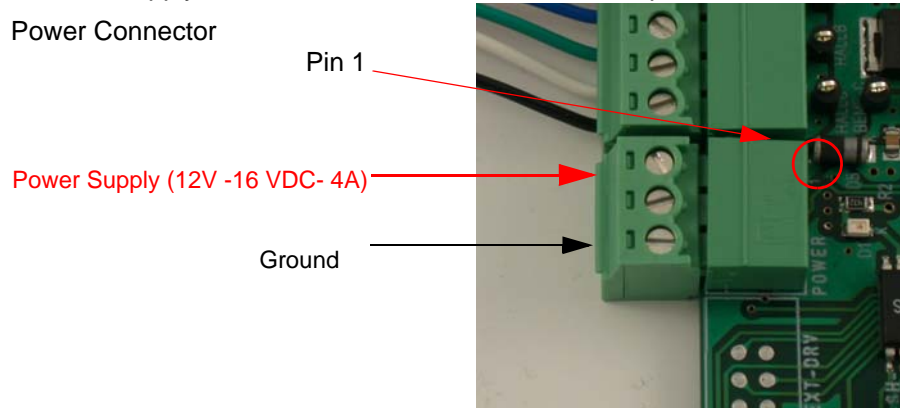


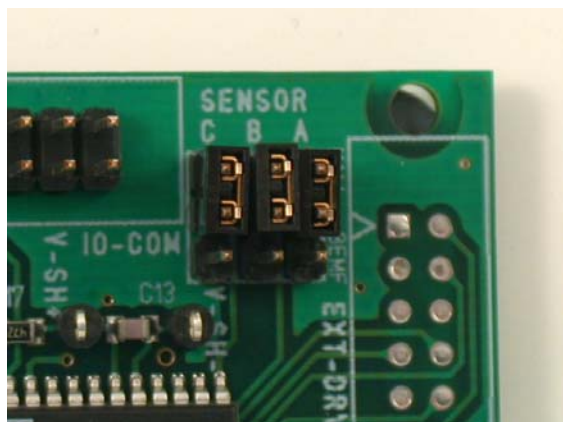
Table 2-2 . J1 Pin number vs Supply Connection

Pin number	Signal	Remark
1	Positive Input	12V to 16 VDC
2	NC	
3	Ground	

The green **D6** LED is lit when power is on. At power up, it runs the demonstration program stored in the AT90PWM3. It makes the motor run in hall sensor mode.

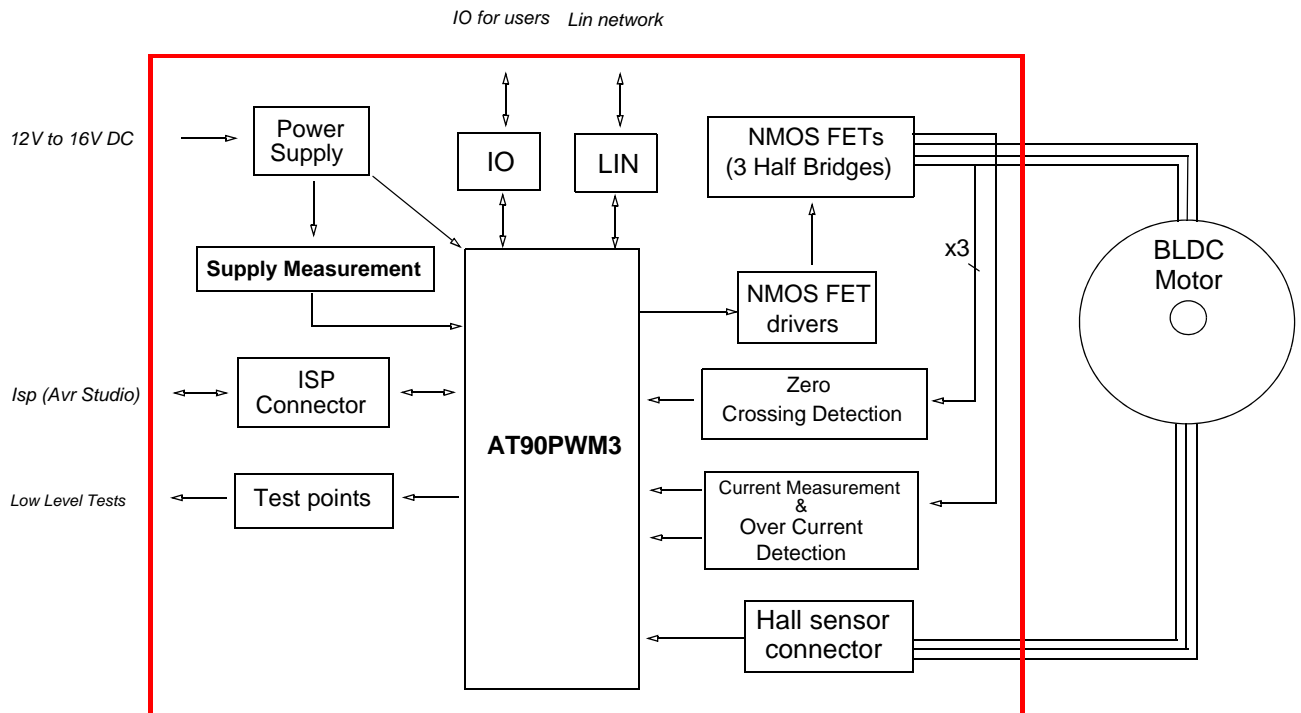
The Hall sensor jumpers must be set as below on the ATAVRMC100.

Figure 2-3 . Default Hall sensor jumper configuration



3.1 Block Diagram

Figure 3-1. ATAVRMC100 Block Diagram



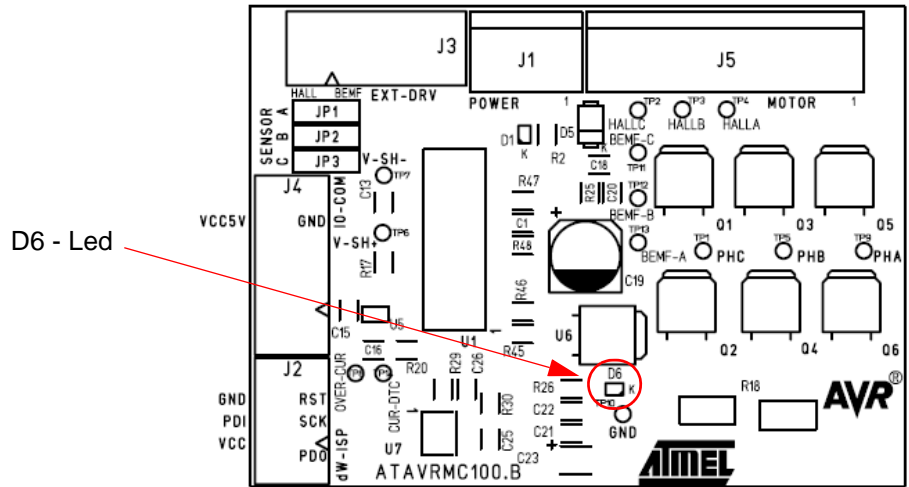
3.2 Power Supply

3.2.1 Power Supply

The power supply source must be between 12V DC to 16V DC with 4 amps. See Getting Started chapter for power ATAVRMC100 power supply connection

Note: WARNING : There is no protection against inverting power supply polarity. The "VCC-ON" D6 LED is always lit when power is applied to ATAVRMC100 .

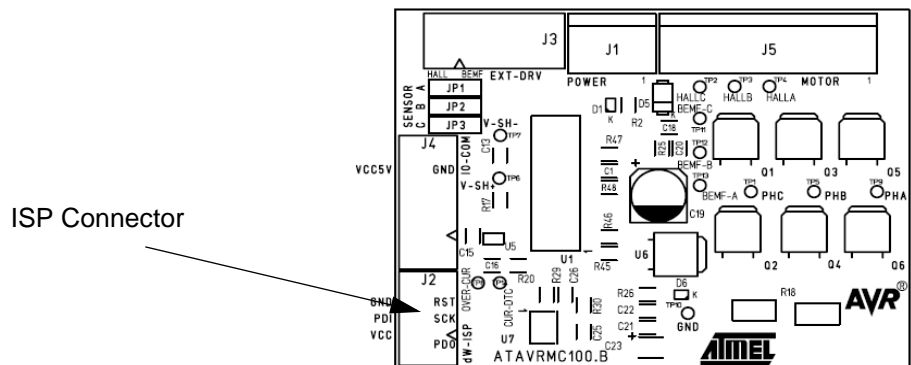
Figure 3-2 . “VCC-ON” D6 LED Position



3.3 ISP Connector

ATAVRMC100 has a six pin ISP connector (J2) allowing to reprogram the part with new code using standard AVR ISP tools

Figure 3-3 . J2 - ISP Connector Position



Pins number	Signals
1	MISO
2	VCC 5V
3	SCK
4	MOSI
5	/ Reset
6	Ground

For details informations about programming tools using ISP connector, refer to programming chapter.

3.4 EXT DRV Connector

J3 connector is available to connect standart AVR product to power interface of ATAVRMC100. The following signals are connected to J3.

Pins number	Signal
1	H_A
2	L_A
3	H_B
4	L_B
5	H_C
6	L_C
7	V shunt +
8	V shunt -
9	VMOT Half
10	Overcurrent

- Notes:
1. AT90PWM3 part should be erased to avoid conflict when using any external AVR product.
 2. PSC0RB, PSC1RB and PSC2RB fuse bits must be unprogrammed (=1) to avoid I/O conflict.

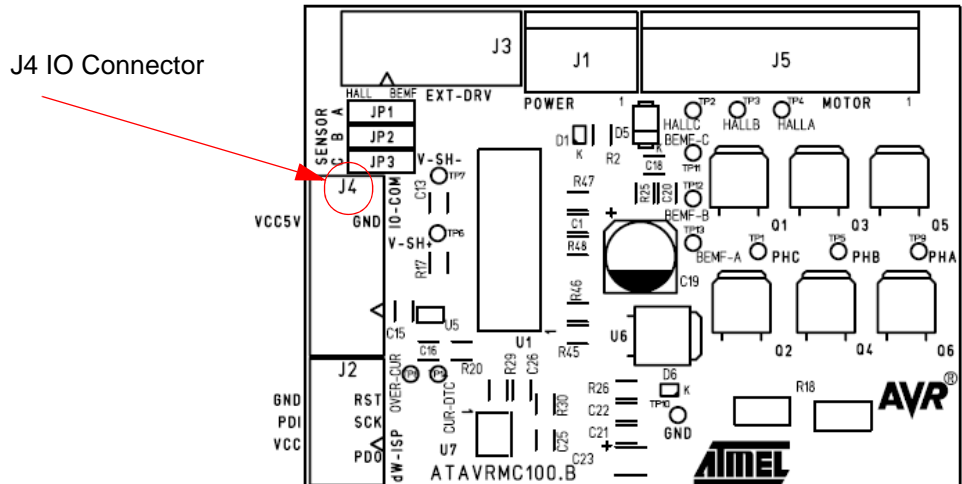
3.5 IO Connector

J4 connector is available for ATAVRMC100 users.

The following signals are connected to J4.

Pins number	Signal
1	PB3 / AMP0M
2	PB4 / AMP0P
3	PC1 / OC1B / PSCIN1
4	PC2 / TO / PSCOUT22
5	PB5 / ADC6 / INT2
6	PE1 / OCB0 / XTAL1
7	PD3 / LIN TXD-RXD / TXD DALI / OCO / SS / MISO
8	PD4 / ADC1 / RXD DALI / ICP1A / SCK
9	GROUND
10	5V VCC

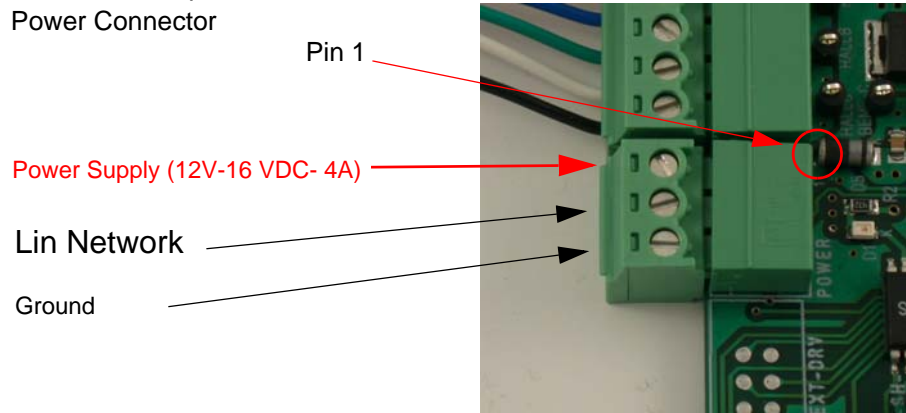
Figure 3-4 . J4 IO Connector Position



3.6 LIN network

AT90PWM3 may support a software LIN implementation. The ATAVRMC100 implements an Atmel LIN transceiver (ATA6661). A 3-pin connector assumes the LIN bus connections. This connector is also the power supply connector.

Figure 3-5 . LIN 3-pin Connector
J1 Power Connector

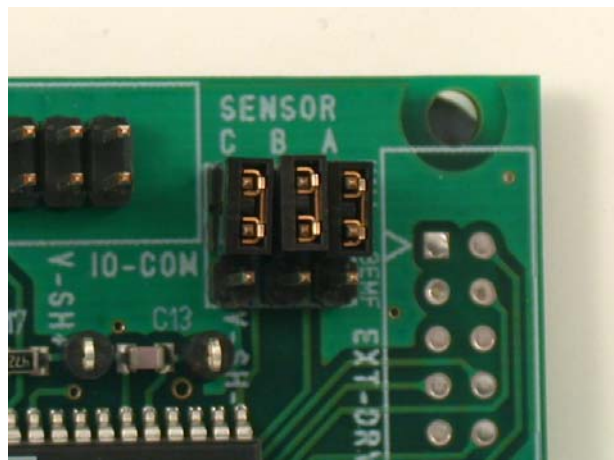


Pin number	Signal	Remark
1	Positive Input	12V to 16 VDC
2	LIN Network	
3	Ground	

3.7 Hall sensor

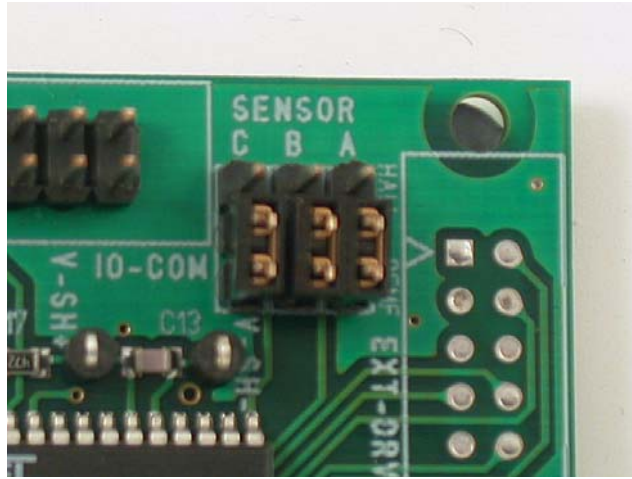
The ATAVRMC100 board allows to control motors with or without Hall sensors. When using Hall sensors, jumpers must be connected as below.

Figure 3-6 . Hall Sensors Jumper Configuration



In sensorless mode jumpers have to be set as shown below

Figure 3-7 . Sensorless Mode Jumper Configuration



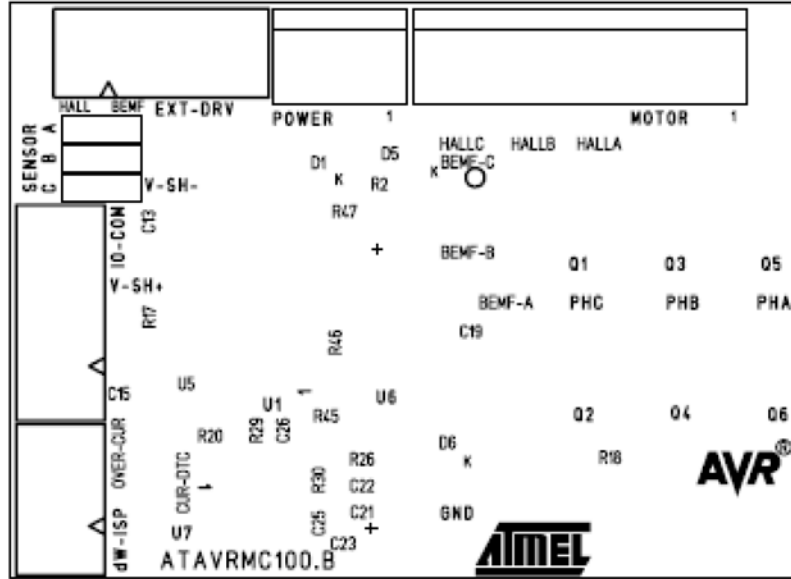
3.8 Test Points

ATAVRMC100 board has test points for debug and engineering development.

The following table summarises all test points, please refer to schematics for detailed informations.

Test Point Number	Signal Name	Schematic page Number
TP1	PH_C	Page 2/4
TP2	Hall_C	Page 2/4
TP3	Hall_B	Page 2/4
TP4	Hall_A	Page 2/4
TP5	PH_B	Page 2/4
TP6	V_Shunt +	Page 2/4
TP7	V_Shunt +	Page 2/4
TP8	Over_current	Page 2/4
TP9	PH_A	Page 2/4
TP10	Ground	Page 3/4
TP11	BEMF_C	Page 4/4
TP12	BEMF_B	Page 4/4
TP13	BEMF_A	Page 4/4
TP14	Current_Detection	Page 2/4

Figure 3-8 . ATAVRMC100 Test Points Position





Section 4

Programming ATAVRMC100

4.1 In-System Programming

The AT90PWM3 can be programmed using specific SPI serial links. This section explains how to connect the programmer.

The Flash, EEPROM memory (and all Fuse and Lock Bit options ISP-programmable) can be programmed individually or with the sequential automatic programming option.

WARNING: If debugWire fuse is enabled, AVR ISP can't be used. If debugWire fuse is disabled, JTAGICE mkII have to be used in ISP mode to enabled debug-Wire fuse.

4.1.1 Programming with AVR ISP Programmer

The AVR ISP programmer is a compact and easy-to-use In-System Programming tool for developing applications with AT90PWM3. Due to the small size, it is also an excellent tool for field upgrades of existing applications. It is powered by the ATAVRMC100 and an additional power supply is thus not required.

The AVR ISP programming interface is integrated in AVR Studio.

To program the device using AVR ISP programmer, connect the 6-wire cable on the ISP connector of the ATAVRMC100 as shown in Figure 4-1.

Note: See AVR Studio on-line Help for information.

Figure 4-1 . Programming from AVR ISP programmer



MISO	1	2	VCC
SCK	3	4	MOSI
RESET	5	6	GND

ISP CON

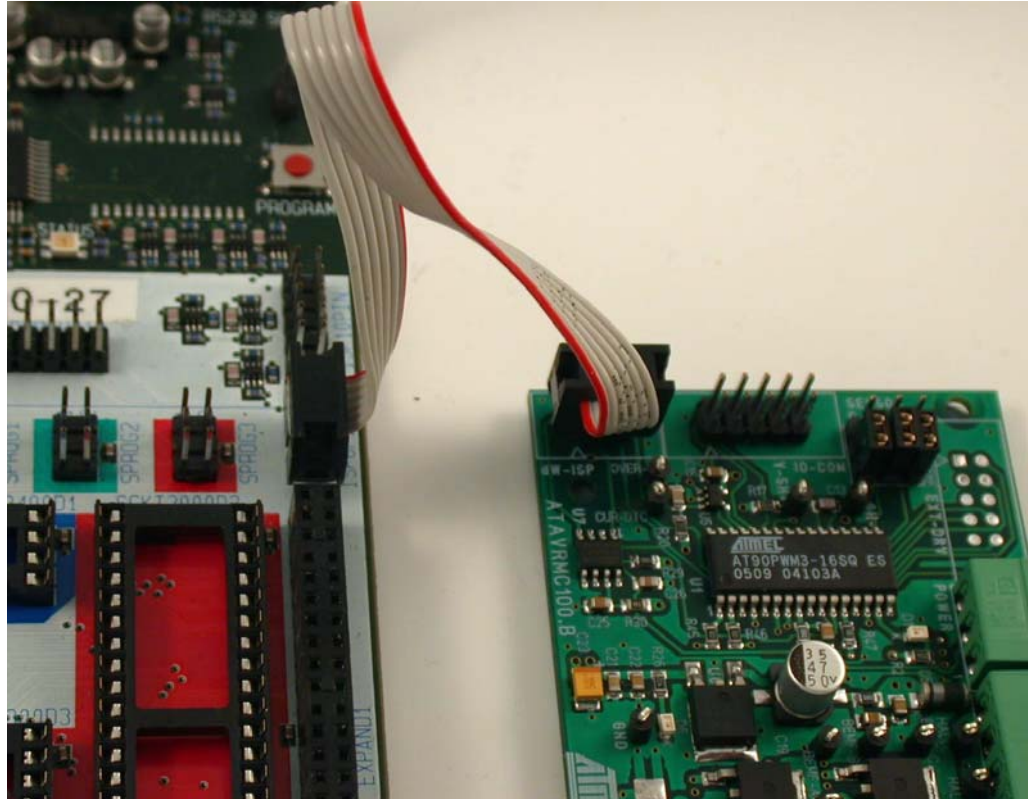
4.1.2 Programming with STK500

The AT90PWM3 can be programmed using the serial programming mode in the AVR Studio STK500 software. The software interface (In-System Programming of an external target system) is integrated in AVR Studio.

To program the device using ISP from STK500, connect the 6-wire cable between the ISP6PIN connector of the STK500 board and the ISP connector of the ATAVRMC100 as shown in Figure 4-2.

Note: See AVR Studio on-line Help for information.

Figure 4-2 . Programming from STK500

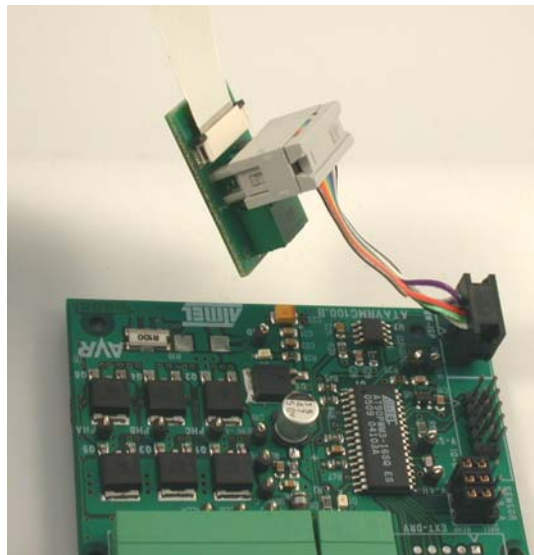


The Flash, EEPROM memory (and all Fuse and Lock Bit options ISP-programmable) can be programmed individually or with the sequential automatic programming option.

4.1.3 Programming using JTAGICE mkII

The AT90PWM3 can also be programmed using the JTAGICE mkII emulator in debug Wire mode. In this mode, AT90PWM3 starts running code only when JTAGICE is disconnected. All software is available in AVR Studio.

Figure 4-3 . Programming from JTAGICE mkII



4.2 Debugging

AT90PWM3 has embedded On-chip debugWire that allows emulation with ATAVRMC100 using JTAGICE mkII only.

WARNING: If debugWire fuse is enabled, AVR ISP can't be used. If debugWire fuse is disabled, JTAGICE MKII have to be used in ISP mode to enabled debug-Wire fuse.



Section 5

Basic Test Program

The program below is the example of the main routine loaded into AT90PWM3 on the ATAVRMC100 kit, it allow motor to turn at low speed.

```
/*
 * @file main.c
 *
 * Copyright (c) 2005 Atmel.
 *
 * @brief This module provide services to show a simple program for
 * AT90PWM3 Only
 * @version 1.0 (CVS revision : $Revision: 1.15 $)
 * @date $Date: 2005/06/30 09:17:19 $
 * @author $Author: gallain $
 */
#include "config.h"

#include "mc_lib.h"
#include "mc_control.h"
#include "mc_drv.h"
#include "serial.h"

#include "adc\adc_drv.h"
#include <stdio.h>
#include "mc_test_procedure.h"

U16 g_regulation_period = 0; //!< Define the sampling period
U16 motor_speed = 0; //!< User Speed Order
extern Bool g_tic; //see mc_drv.c Use for sampling time

//! Main user routine.
//! The main user routine provides an UART control for the motor.
//! The mc_regulation_loop() function is launched every 80ms.
//! '0,1,2,3' are used to set the speed of the motor.
//! '&,\",(' are used to select the regulation loop (Open loop, speed,
//!current, position).
//! Press 'r' key to start the motor.
//! Press 's' key to stop the motor.
//! Press 'f' and 'b' keys to choose between CW and CCW rotation
//!direction.
//! Press 'v' key to print all motor parameters.
//! Press 'i' key to initialize the motor after Over current detection.
//! Press '-' and '+' keys to decrease or increase motor speed value.
void main(void)
{
    // init motor

```

```

mc_motor_init(); // launch initialization of the motor

// init UART
init_uart();

// If PB5 == 1 : Launch the test function.(Only use for Board test)
if(Get_EXT3() == 0)mc_Board_test();

// UART print screen - uncomment for UART use
/*putstring("\033[2J"); // CLS, VT100 ANSI sequence

putstring("ATMEL BLDC Motor Control.");
putstring("\n\r");
sendchar(':');*/

// Start the motor
mc_set_motor_speed(50);
mc_motor_run();

while(1)
{
// UART IHM
// The code below provide an UART control for the motor
// uncomment for UART use
/*if(tstrx()==TRUE)
{
char answ = '\0';
answ = recchar();
sendchar(answ);
putstring("\n\r\0");
switch(answ)
{
case 'r' : // launch the motor
putstring("Run\n\r\0");
mc_set_motor_speed(motor_speed);
mc_reset_Num_Turn();
mc_motor_run();
break;

case 's' : // stop the motor
putstring("Stop\n\r\0");
mc_motor_stop();
break;

case 'f' : // Select forward direction
putstring("CW\n\r\0");
mc_motor_stop();
mc_set_motor_direction(CW);
mc_motor_run();
break;

case 'b' : // Select backward direction
putstring("CCW\n\r\0");
mc_motor_stop();
mc_set_motor_direction(CCW);
mc_motor_run();
break;

case 'v' : // print motor information
putstring("Cmd :");
putint(mc_get_motor_speed());
putstring("\n\r");
putstring("Speed:");
putint(mc_get_motor_measured_speed());
putstring("\n\r");
putstring("Current:");
putint(mc_get_measured_current());
putstring("\n\r");
putstring("Turns:");
}
}
*/
}

```

```

        putint(mc_get_Num_Turn());
        putstring("\n\r");
        break;
    case '0' : // No regulation (Open Loop)
        motor_speed = 50;
        break;
    case '1' : // Set speed regulation
        motor_speed = 100;
        break;
    case '2' : // Set current regulation
        motor_speed = 150;
        break;
    case '3' : // Set position regulation
        motor_speed = 255;
        break;
    case '&' : // No regulation (Open Loop)
        mc_set_Open_Loop();
        break;
    case 'é' : // Set speed regulation
        mc_set_Speed_Loop();
        break;
    case '"' : // Set current regulation
        mc_set_Current_Loop();
        break;
    case '(' : // Set position regulation
        mc_reset_Num_Turn();
        mc_set_Position_Loop();
        break;
    case '+' : // Set current regulation
        motor_speed ++;
        break;
    case '-' : // Set position regulation
        motor_speed --;
        break;
    case 'i' : // Init PSC, Restart PSC after Over_Current detection
        PSC0_Init(255,0,1,0);
        PSC1_Init(255,0,1,0);
        PSC2_Init(255,0,1,0);
        break;
    default : putstring("Unknown command\n\r\0"); // Unknow Command
}
try again
}
sendchar(':');
}*/

// Show PSC state according to the Over Current information
if(PCTL2 & (1<<PRUN2)) switch_OFF_LED();// PSC ON
else switch_ON_LED();//PSC OFF => Over_Current

// Launch regulation loop
// Timer 1 generate an IT (g_tic) all 250us
// Sampling period = n * 250us
if (g_tic == TRUE)
{
    g_tic = FALSE;

    // Get Current and potentiometer value
    mc_ADC_Scheduler();

    g_regulation_period += 1;
    if ( g_regulation_period >= 320 ) //n * 250us = Te
    {
        g_regulation_period = 0;
        //mc_set_motor_speed(motor_speed); // Set User Speed Command for
        an UART control
    }
}

```

```
        mc_set_motor_speed(mc_get_potentiometer_value()); // Set User
Speed Command with potentiometer
        mc_regulation_loop(); // launch regulation loop
    }
}
}
```




Section 6

Troubleshooting Guide

Table 6-1 . Troubleshooting Guide

Problem Description	Reason	Solution
ATAVRMC100 does not work and D6 led is off	No power supply	Check the power supply source
BLDC Motor does not turn	Hall sensor disabled	Check Hall sensor jumper configuration
BLDC Motor turns slowly or does not turn	Current of the supply is not enough important	Check current of your supply 4A is the correct value
BLDC Motor starts and stop immediatly at power up with D1 led ON	In rush currrent is to high regarding overcurrent detection	limit the current of the supply to bypass inrush current



Section 7

Technical Specifications

■ System Unit

- Physical Dimensions (Board only)L=75 x W=55 x H=15 mm
- Weight (Board only)29 g

■ Operating Conditions

- Voltage Supply 12V to 16VDC (4A)
- Operating Temperature range From 0°C to 70°C

■ Motor unit

- Physical DimensionsL=63.1 x W=42 x H=42 mm
- Weight250 g



Section 8

Technical Support

For Technical support, please contact avr@atmel.com. When requesting technical support, please include the following information:

- Version number of AVR Studio. This can be found in the AVR Studio help menu.
- Hardware revision of ATAVRMC100 board (found on PCB).
- PC operating system and version/build
- PC processor type and speed
- A detailed description of the problem



Section 9

Complete Schematics

On the next pages, the following documents of ATAVRMC100 revision ATAVRMC100B are shown:

- Complete schematics
- Assembly drawing
- Silkscreen
- Bill of materials

Figure 9-1 . Schematics, 1 of 4

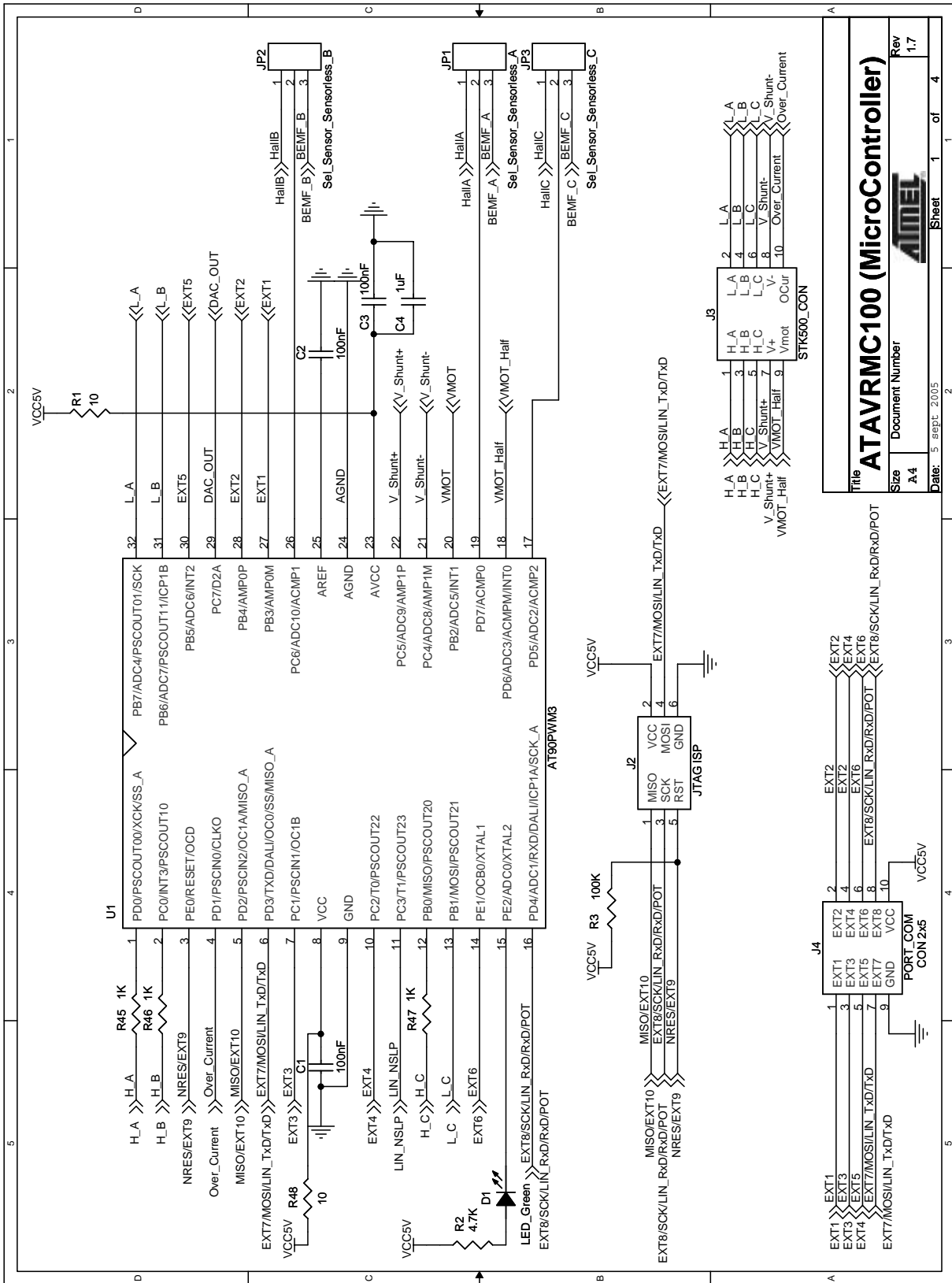
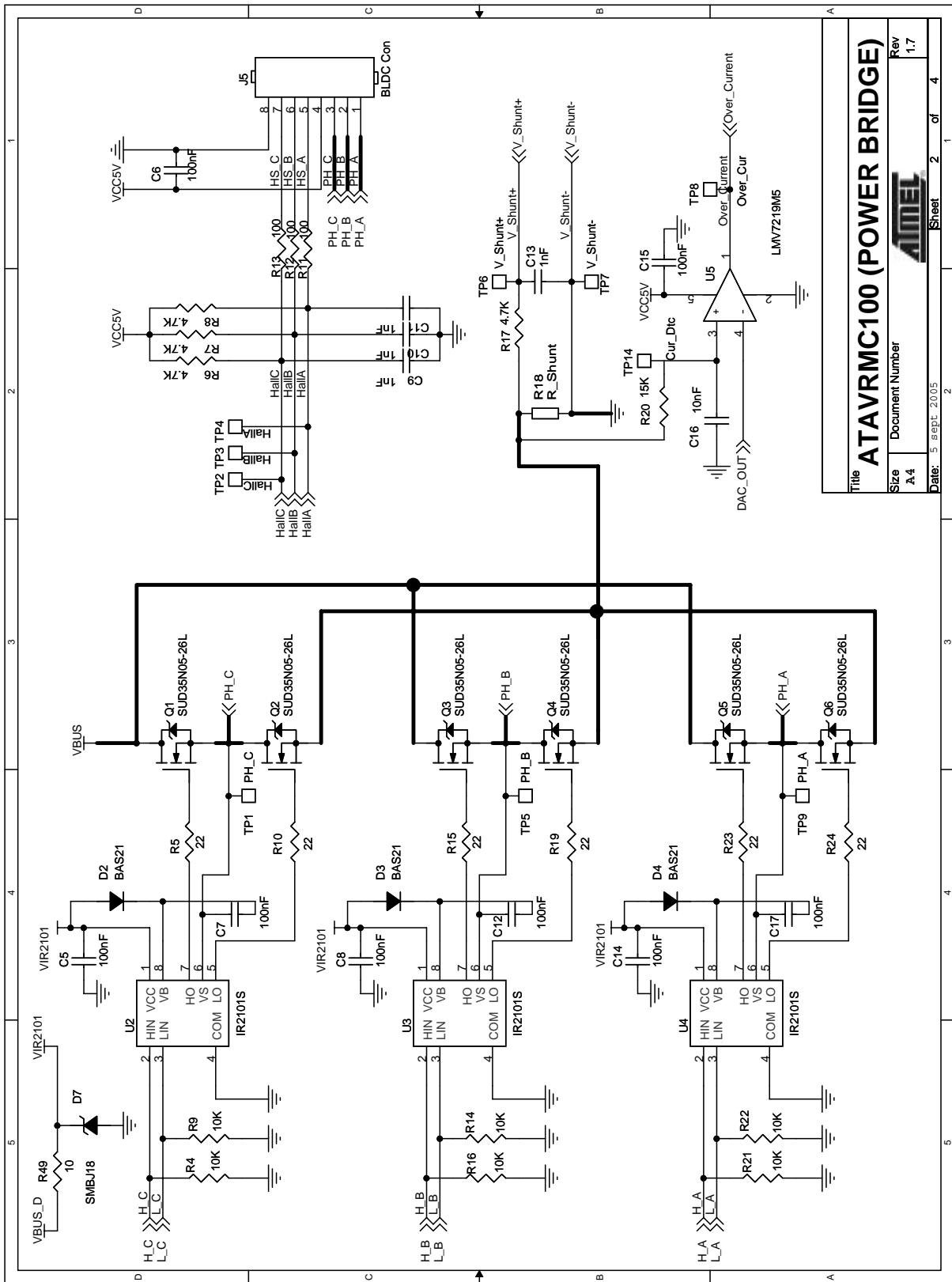
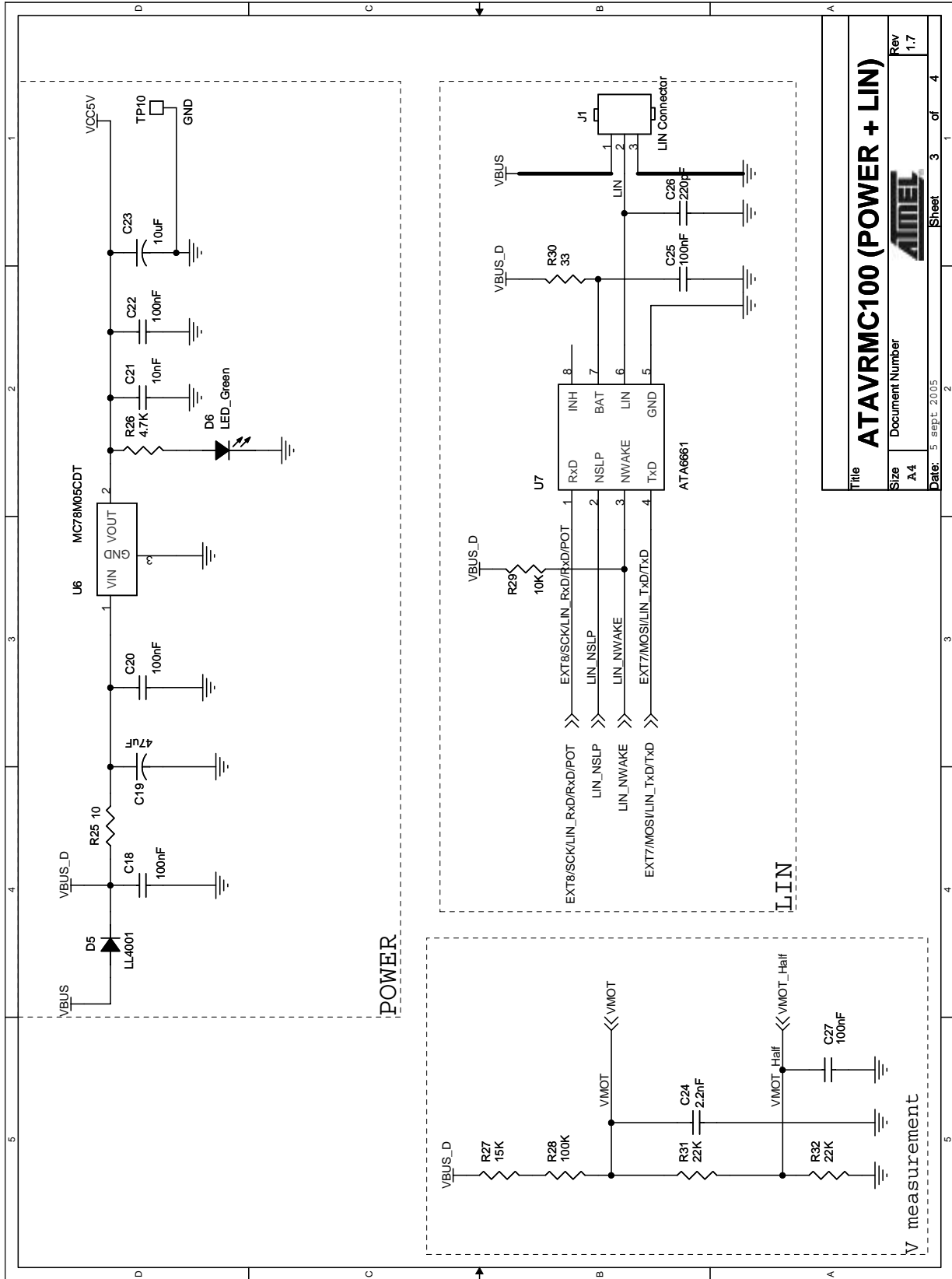


Figure 9-2 . Schematics, 2 of 4



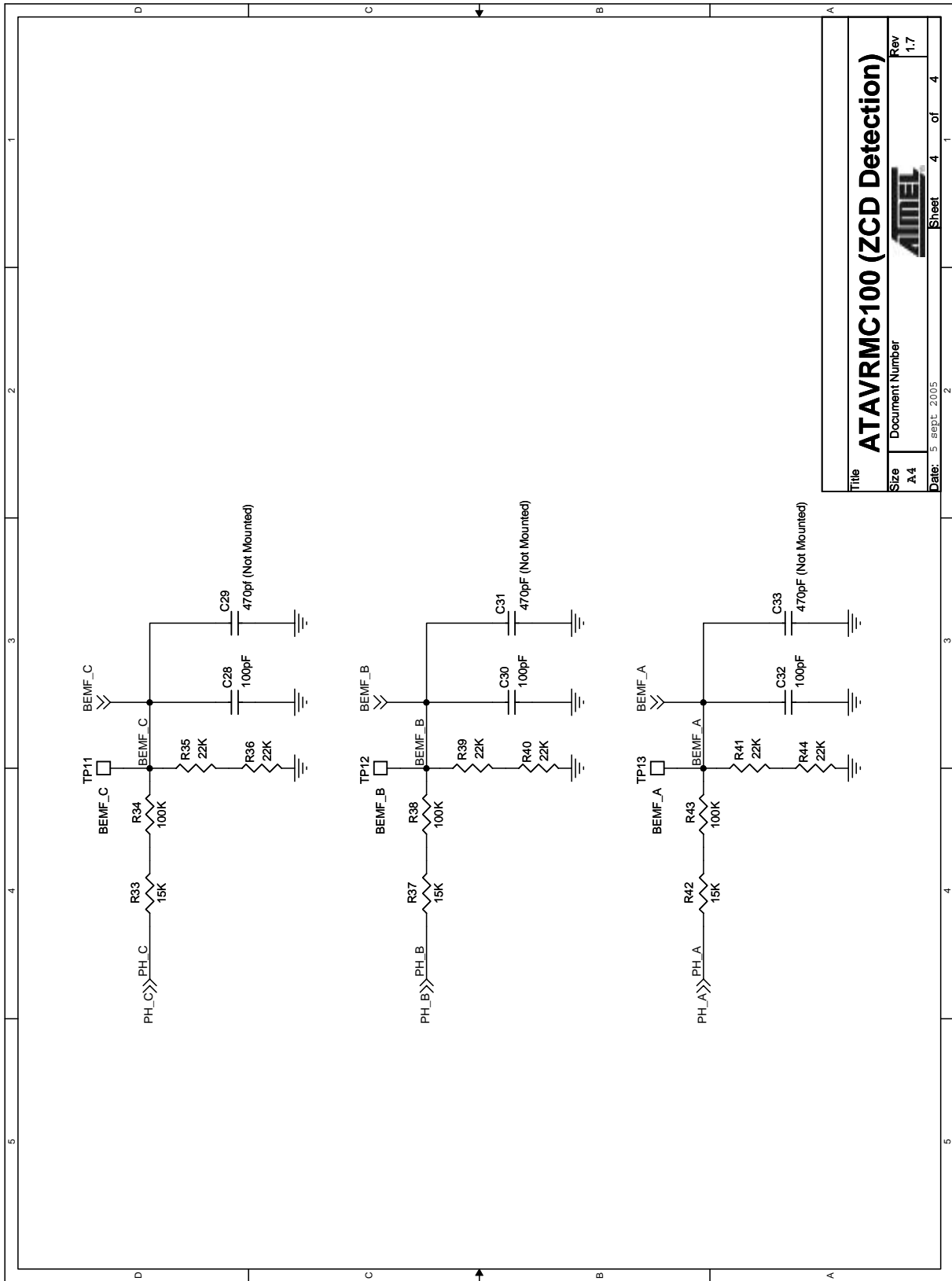
Title		ATAVRMC100 (POWER BRIDGE)	
Size	Document Number	Rev	1.7
A4			
Date: 5 sept. 2005		Sheet	2 of 4

Figure 9-3 . Schematics, 3 of 4



Title		ATAVRMC100 (POWER + LIN)	
Size	A4	Document Number	
Date:	5 sept. 2005	Sheet	3 of 4
Rev	1.7		

Figure 9-4 . Schematics, 4 of 4 ATAVR MC100



ATAVRMC100 (ZCD Detection)

Title	ATAVRMC100 (ZCD Detection)		
Size	A 4	Document Number	Rev 1.7
Date:	5. sept. 2005	Sheet	4 of 4



Figure 9-5 . Assembly drawings component side

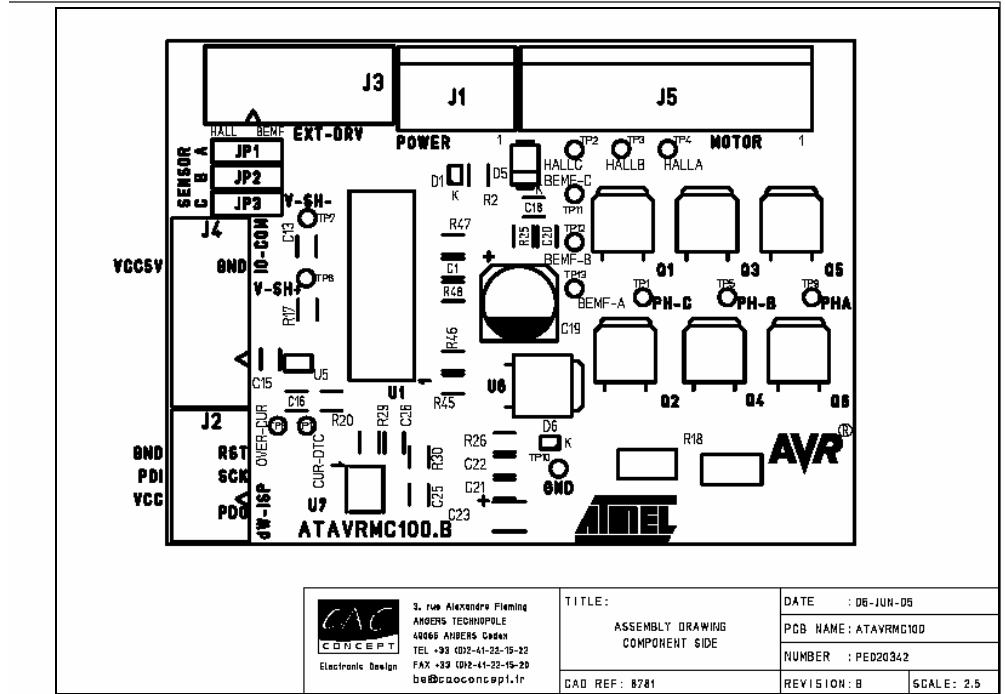


Figure 9-6 . Assembly drawings solder side

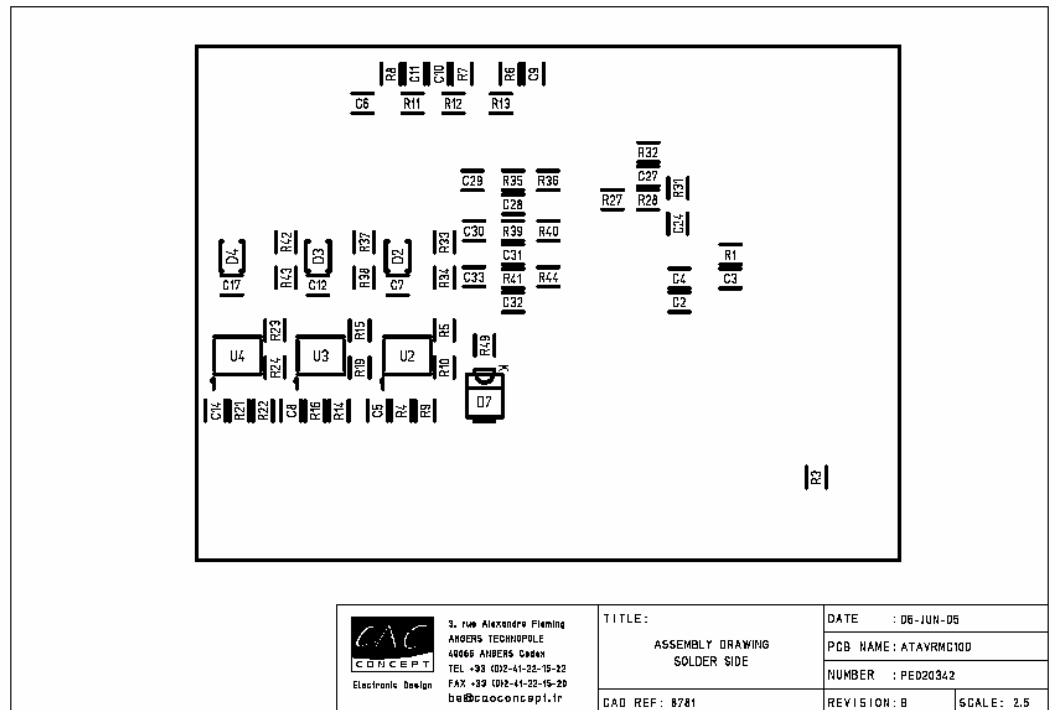
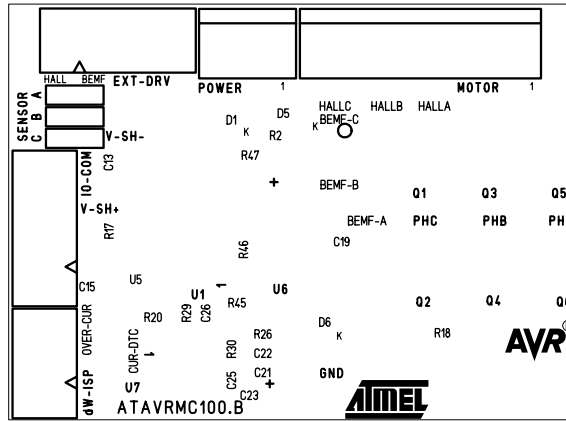
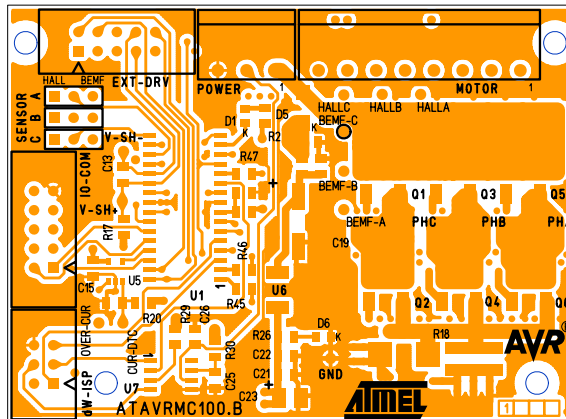


Figure 9-7 . Silk Screen Component Side 1



	ATAVRMC100 PE020342		REV	DATE	CAD REF
			B	06-JUN-05	8781
LAYER	SILKSCREEN	SIDE	COMPONENT	FILE	
				SILKSCREEN-CS.GER	

Figure 9-8 . Silkscreen Component Side 2



	ATAVRMC100 PE020342		REV	DATE	CAD REF
			B	06-JUN-05	8781
LAYER	SILKSCREEN	SIDE	COMPONENT	FILE	
				SILKSCREEN-CS.GER	

9.1 Bill of Materials

Reference	Part	Part Description	Package
C1,C2,C3,C5,	100nF	50V-5% Ceramic Capacitor	CASE 0805
C6,C7,C8,C12,			
C14,C15,C17,C18,			
C20,C22,C25,C27			
C4	1uF	16V -20/+80%	CASE 0805
C9,C10,C11,C13	1nF	50V-5% Ceramic Capacitor	CASE 0805
C16,C21	10nF	50V-5% Ceramic Capacitor	CASE 0805
C19	47uF	25V	
C23	10uF	6,3V	
C24	2.2nF	50V-5% Ceramic Capacitor	CASE 0805
C26	220pF	50V-5% Ceramic Capacitor	CASE 0805
C28,C30,C32	100pF	50V-5% Ceramic Capacitor	CASE 0805
C29,C31,C33	470pF (Not Mounted)	50V-5% Ceramic Capacitor	
D1,D6	LED_Green	TOPLED LP M670	PLCC-2
	BAV21	Rectifier Diode 0,1mA	SOT23
D5	LL4001	Rectifier Diode MELF 1A	RMELF
JP1	Sel_Sensor_Sensorless_A	Right male bars Step2,54 * 3	
JP2	Sel_Sensor_Sensorless_B	Right male bars Step2,54 * 3	
JP3	Sel_Sensor_Sensorless_C	Right male bars Step2,54 * 3	
J1	LIN Connector	Connector block Step3,81 3 Pins	
J2	CON 2x3	Right male bars Step2,54 * 3 * 2	
J3,J4	CON 2x5	Male connector with "detrompeur" 2X5	.
J5	BLDC Con	Connector block Step3,81 8 Pins	

Reference	Part	Part Description	Package
Q1,Q2,Q3,Q4,Q5,Q6	SUD35N05-26L	Power MOSFET CMS	TO-252 (D-pak)
R1,R25, R48	10	1/16W-5% Resistor SMD	CASE 0805
R2,R6,R7,R8,R17,R26	4.7K	1/16W-5% Resistor SMD	CASE 0805
R3,R28,R34,R38,R43	100K	1/16W-5% Resistor SMD	CASE 0805
R4,R9,R14,R16,R21,R22,	10K	1/16W-5% Resistor SMD	CASE 0805
R29			
R5,R10,R15,R19,R23,R24	22	1/16W-5% Resistor SMD	CASE 0805
R11,R12,R13	100	1/16W-5% Resistor SMD	CASE 0805
R18	R_Shunt	CMS POWER resistor 0,1ohm 3W	CASE 2512
R20,R27,R33,R37,R42	15K	1/16W-5% Resistor SMD	CASE 0805
R30	33	1/16W-5% Resistor SMD	CASE 0805
R31,R32,R35,R36,R39,R40,	22K	1/16W-5% Resistor SMD	CASE 0805
R41,R44			
TP1,TP2,TP3,TP4,TP5,TP6,	T_POINT	Test Point Step2,54	
TP7,TP8,TP9,TP10,TP11			
TP12,TP13,TP14			
U1	AT90PWM3	ATMEL Microcontroller	SO32
U2,U3,U4	IR2101S	Power Drivers MOSFET/IGBT	SOIC8
U5	LMV7219M5	Comparator 7ns rail to rail	SOT23-5
U6	MC78M05CDT	Regulator SMD Positif FIX 5V	SMD DPAK
U7	ATA6661	LIN Transceiver	R-SO8
R45, R46, R47	1K	1/16W-5% Resistor SMD	CASE 0805
D7	SMBJ18		
R49	10		CASE 1206



Atmel Corporation

2325 Orchard Parkway
San Jose, CA 95131
Tel: 1(408) 441-0311
Fax: 1(408) 487-2600

Regional Headquarters

Europe

Atmel Sarl
Route des Arsenaux 41
Case Postale 80
CH-1705 Fribourg
Switzerland
Tel: (41) 26-426-5555
Fax: (41) 26-426-5500

Asia

Room 1219
Chinachem Golden Plaza
77 Mody Road Tsimshatsui
East Kowloon
Hong Kong
Tel: (852) 2721-9778
Fax: (852) 2722-1369

Japan

9F, Tonetsu Shinkawa Bldg.
1-24-8 Shinkawa
Chuo-ku, Tokyo 104-0033
Japan
Tel: (81) 3-3523-3551
Fax: (81) 3-3523-7581

Atmel Operations

Memory

2325 Orchard Parkway
San Jose, CA 95131
Tel: 1(408) 441-0311
Fax: 1(408) 436-4314

Microcontrollers

2325 Orchard Parkway
San Jose, CA 95131
Tel: 1(408) 441-0311
Fax: 1(408) 436-4314

La Chantrerie
BP 70602
44306 Nantes Cedex 3, France
Tel: (33) 2-40-18-18-18
Fax: (33) 2-40-18-19-60

ASIC/ASSP/Smart Cards

Zone Industrielle
13106 Rousset Cedex, France
Tel: (33) 4-42-53-60-00
Fax: (33) 4-42-53-60-01

1150 East Cheyenne Mtn. Blvd.
Colorado Springs, CO 80906
Tel: 1(719) 576-3300
Fax: 1(719) 540-1759

Scottish Enterprise Technology Park
Maxwell Building
East Kilbride G75 0QR, Scotland
Tel: (44) 1355-803-000
Fax: (44) 1355-242-743

RF/Automotive

Theresienstrasse 2
Postfach 3535
74025 Heilbronn, Germany
Tel: (49) 71-31-67-0
Fax: (49) 71-31-67-2340

1150 East Cheyenne Mtn. Blvd.
Colorado Springs, CO 80906
Tel: 1(719) 576-3300
Fax: 1(719) 540-1759

Biometrics/Imaging/Hi-Rel MPU/ High Speed Converters/RF Datacom

Avenue de Rochepleine
BP 123
38521 Saint-Egreve Cedex, France
Tel: (33) 4-76-58-30-00
Fax: (33) 4-76-58-34-80

e-mail

literature@atmel.com

Web Site

<http://www.atmel.com>

Disclaimer: The information in this document is provided in connection with Atmel products. No license, express or implied, by estoppel or otherwise, to any intellectual property right is granted by this document or in connection with the sale of Atmel products. **EXCEPT AS SET FORTH IN ATMEL'S TERMS AND CONDITIONS OF SALE LOCATED ON ATMEL'S WEB SITE, ATMEL ASSUMES NO LIABILITY WHATSOEVER AND DISCLAIMS ANY EXPRESS, IMPLIED OR STATUTORY WARRANTY RELATING TO ITS PRODUCTS INCLUDING, BUT NOT LIMITED TO, THE IMPLIED WARRANTY OF MERCHANTABILITY, FITNESS FOR A PARTICULAR PURPOSE, OR NON-INFRINGEMENT. IN NO EVENT SHALL ATMEL BE LIABLE FOR ANY DIRECT, INDIRECT, CONSEQUENTIAL, PUNITIVE, SPECIAL OR INCIDENTAL DAMAGES (INCLUDING, WITHOUT LIMITATION, DAMAGES FOR LOSS OF PROFITS, BUSINESS INTERRUPTION, OR LOSS OF INFORMATION) ARISING OUT OF THE USE OR INABILITY TO USE THIS DOCUMENT, EVEN IF ATMEL HAS BEEN ADVISED OF THE POSSIBILITY OF SUCH DAMAGES.** Atmel makes no representations or warranties with respect to the accuracy or completeness of the contents of this document and reserves the right to make changes to specifications and product descriptions at any time without notice. Atmel does not make any commitment to update the information contained herein. Unless specifically provided otherwise, Atmel products are not suitable for, and shall not be used in, automotive applications. Atmel's products are not intended, authorized, or warranted for use as components in applications intended to support or sustain life.

© Atmel Corporation 2006. All rights reserved. Atmel®, logo and combinations thereof, are registered trademarks, and Everywhere You AreSM are the trademarks of Atmel Corporation or its subsidiaries. Other terms and product names may be trademarks of others.