

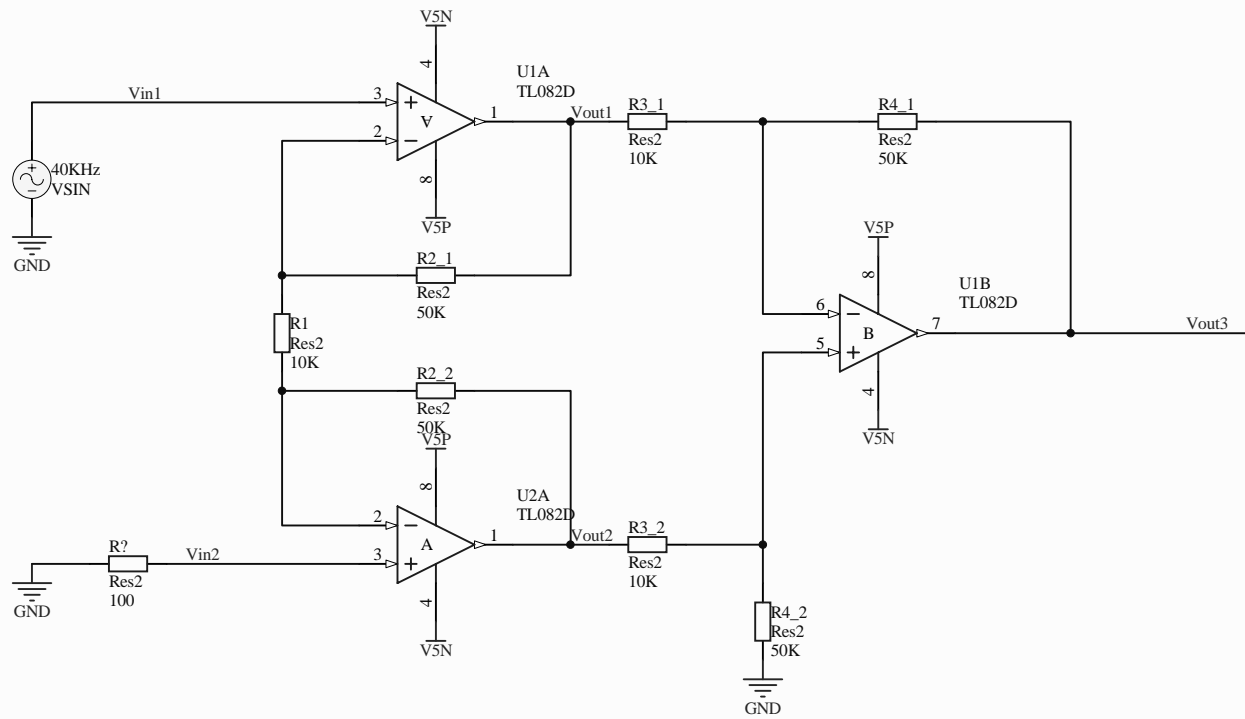
$$V_{out3} = -R4/R3(1+2R2/R1) (V_{in1} - V_{in2})$$

计算过程

$$VR1 = V_{in1} - V_{in2}$$

$$VR1/R1 = (V_{out1} - V_{out2}) / (2R2 + R1)$$

$$V_{out1} - V_{out2} = (2R2 + R1 / R1) VR1 = (1 + 2R2 / R1)(V_{in1} - V_{in2})$$



Title			
差分放大电路			
Size	Number	Revision	
A4	Design By StarLi	Ver1.0	
Date:	2008-5-10	Sheet of	
File:	F:\基础电路仿真\差分放大电路.SchDoc	Drawn By:	