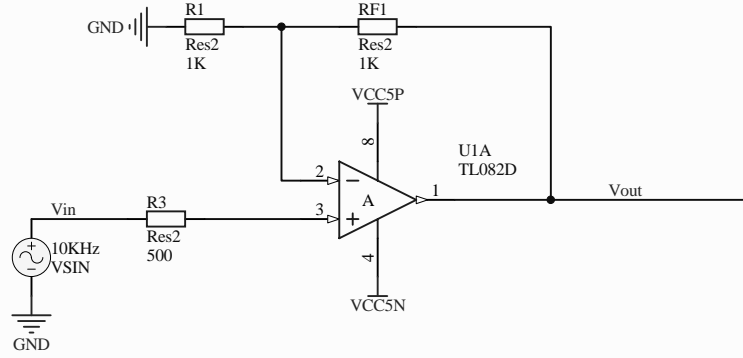


10KHz Vpp = 1V
+0.5V
-0.5V



$AV = 1 + RF1/R1$
R3 平衡电阻 = $R1/RF1$

输入电阻高，输出电阻小，带负载能力强

| | | |
|----------|---------------------------------|---------------|
| Title | | |
| 同相比例放大电路 | | |
| Size | Number | Revision |
| A4 | Design By Starli | Ver1.0 |
| Date: | 2008-5-9 | Sheet of |
| File: | F:\NewDesign...\同相比例放大电路.SchDoc | |