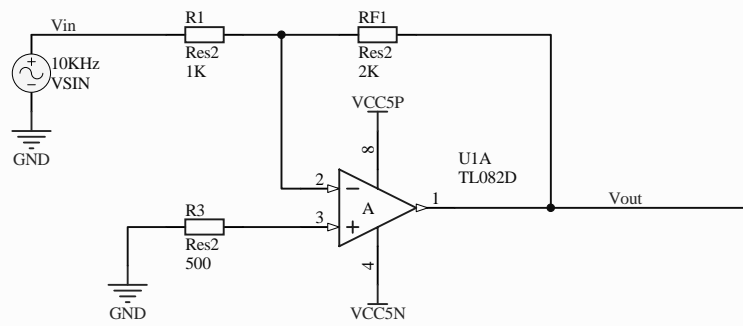


10KHz Vpp = 1V
+0.5V
-0.5V



$AV = -RF1/R1$
R3 平衡电阻 = $R1/RF1$

Title			同相比例放大电路		
Size	Number	Revision		Ver1.0	
A4	Design By Starli				
Date:	2008-5-9	Sheet of			
File:	F:\NewDesign...\反相比例放大电路.SchDoc				