

Bitstream continuous calibration filter-DAC
with headphone driver and DSP

TDA1548T

BLOCK DIAGRAM

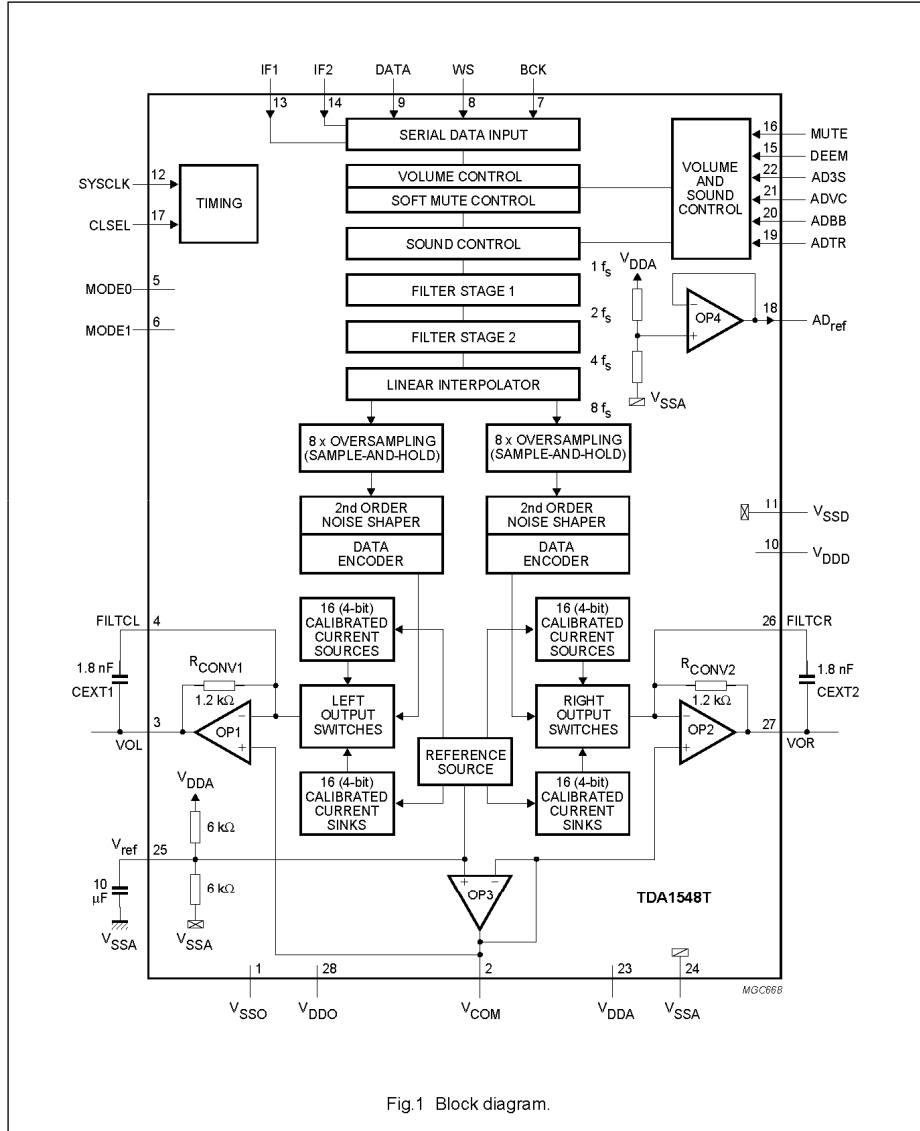


Fig.1 Block diagram.