

Hard disk drive specifications
Deskstar 120 GXP
3.5 inch Ultra ATA/100 hard disk drive



Models: IC35L020AVVN07
 IC35L040AVVN07
 IC35L060AVVA07
 IC35L080AVVA07
 IC35L100AVVA07
 IC35L120AVVA07

Revision 4.1

18 June 2002

This page intentionally left blank.



Hard disk drive specifications

Deskstar 120 GXP

3.5 inch Ultra ATA/100 hard disk drive

Models: IC35L020AVVN07
IC35L040AVVN07
IC35L060AVVA07
IC35L080AVVA07
IC35L100AVVA07
IC35L120AVVA07



Revision 4.1

18 June 2002

1st Edition (Revision 0.1) S07N-4778-00 (1 October 2001) Preliminary
2nd Edition (Revision 0.2) S07N-4778-01 (24 October 2001) Preliminary
3rd Edition (Revision 0.3) S07N-4778-02 (7 November 2001) Preliminary
4th Edition (Revision 1.0) S07N-4778-03 (9 November 2001)
5th Edition (Revision 2.0) S07N-4778-04 (10 December 2001)
6th Edition (Revision 2.1) S07N-4778-05 (10 January 2002)
7th Edition (Revision 3.0) S07N-4778-06 (18 February 2002)
8th Edition (Revision 4.0) S07N-4778-07 (11 April 2002)
9th Edition (Revision 4.1) S07N-4778-08 (18 June 2002)

The following paragraph does not apply to the United Kingdom or any country where such provisions are inconsistent with local law: INTERNATIONAL BUSINESS MACHINES CORPORATION PROVIDES THIS PUBLICATION “AS IS” WITHOUT WARRANTY OF ANY KIND, EITHER EXPRESS OR IMPLIED, INCLUDING, BUT NOT LIMITED TO, THE IMPLIED WARRANTIES OF MERCHANTABILITY OR FITNESS FOR A PARTICULAR PURPOSE. Some states do not allow disclaimer or express or implied warranties in certain transactions, therefore, this statement may not apply to you.

This publication could include technical inaccuracies or typographical errors. Changes are periodically made to the information herein; these changes will be incorporated in new editions of the publication. IBM may make improvements or changes in any products or programs described in this publication at any time.

It is possible that this publication may contain reference to, or information about, IBM products (machines and programs), programming, or services that are not announced in your country. Such references or information must not be construed to mean that IBM intends to announce such IBM products, programming, or services in your country.

Technical information about this product is available by contacting your local IBM representative or on the Internet at <http://www.ibm.com/harddrive>

IBM may have patents or pending patent applications covering subject matter in this document. The furnishing of this document does not give you any license to these patents. You can send license inquiries in writing to the IBM Director of Commercial Relations, IBM Corporation, Armonk, NY 10577.

©Copyright International Business Machines Corporation 2002. All rights reserved.

Note to U.S. Government Users —Documentation related to restricted rights —Use, duplication or disclosure is subject to restrictions set forth in GSA ADP Schedule Contract with IBM Corp.

Table of contents

List of figures	iii
1.0 General	1
1.1 Glossary	1
1.2 General caution	1
1.3 References	1
2.0 General features	3
Part 1. Functional specification	5
3.0 Fixed disk subsystem description	7
3.1 Control Electronics	7
3.2 Head disk assembly	7
3.3 Actuator	7
4.0 Drive characteristics	9
4.1 Default logical drive parameters	9
4.2 Data sheet	10
4.3 Drive organization	11
4.3.1 Drive format	11
4.3.2 Cylinder allocation	11
4.4 Performance characteristics	13
4.4.1 Command overhead	13
4.4.2 Mechanical positioning	13
4.4.3 Drive ready time	15
4.4.4 Data transfer speed	16
4.4.5 Throughput	17
4.4.6 Operating modes	18
5.0 Defect flagging strategy	19
6.0 Specification	21
6.1 Electrical interface	21
6.1.1 Connector location	21
6.1.2 Signal definition	22
6.1.3 Interface logic signal levels	25
6.2 Signal timings	26
6.2.1 Reset timings	26
6.2.2 PIO timings	27
6.2.3 Multiword DMA timings	29
6.2.4 Ultra DMA timings	30
6.2.5 Addressing of registers	38
6.2.6 Cabling	38
6.3 Jumper settings	39
6.3.1 Jumper pin location	39
6.3.2 Jumper pin identification	39
6.3.3 Jumper pin assignment	40
6.3.4 Jumper positions	41
6.4 Environment	45
6.4.1 Temperature and humidity	45
6.4.2 Corrosion test	46

6.5	DC power requirements	47
6.5.1	Input voltage	47
6.5.2	Power supply current (typical)	47
6.5.3	Power supply generated ripple at drive power connector	49
6.6	Reliability	50
6.6.1	Data integrity	50
6.6.2	Cable noise interference	50
6.6.3	Start/stop cycles	50
6.6.4	Preventive maintenance	50
6.6.5	Data reliability	50
6.6.6	Required Power-Off Sequence	50
6.7	Mechanical specifications	51
6.7.1	Physical dimensions	51
6.7.2	Hole locations	53
6.7.3	Connector locations	54
6.7.4	Drive mounting	54
6.7.5	Heads unload and actuator lock	54
6.8	Vibration and shock	55
6.8.1	Operating vibration	55
6.8.2	Nonoperating vibration	55
6.8.3	Operating shock	56
6.8.4	Nonoperating shock	56
6.8.5	Rotational shock	57
6.9	Acoustics	58
6.10	Identification labels	59
6.11	Safety	60
6.11.1	UL and CSA standard conformity	60
6.11.2	German Safety Mark	60
6.11.3	Flammability	60
6.11.4	Safe handling	60
6.11.5	Environment	60
6.11.6	Secondary circuit protection	60
6.12	Electromagnetic compatibility	61
6.12.1	CE Mark	61
6.12.2	C-Tick Mark	61

Part 2. Interface specification 63

7.0	General	65
7.1	Terminology	65
7.2	Deviations from standard	65
8.0	Registers	67
8.1	Alternate Status Register	68
8.2	Command Register	68
8.3	Cylinder High Register	68
8.4	Cylinder Low Register	68
8.5	Data Register	69
8.6	Device Control Register	69
8.7	Drive Address Register	69
8.8	Device/Head Register	70
8.9	Error Register	70
8.10	Features Register	71

8.11	Sector Count Register	71
8.12	Sector Number Register	71
8.13	Status Register	72
9.0	General operation	73
9.1	Reset response	73
9.2	Register initialization	74
9.3	Diagnostic and reset considerations	75
9.4	Sector Addressing Mode	76
9.4.1	Logical CHS Addressing Mode	76
9.4.2	LBA Addressing Mode	76
9.5	Overlapped and queued feature	77
9.6	Power management feature	78
9.6.1	Power modes	78
9.6.2	Power management commands	78
9.6.3	Standby timer	78
9.6.4	Interface capability for power modes	79
9.7	S.M.A.R.T. function	80
9.7.1	Attributes	80
9.7.2	Attribute values	80
9.7.3	Attribute thresholds	80
9.7.4	Threshold Exceeded Condition	80
9.7.5	S.M.A.R.T. commands	80
9.7.6	Off-line read scanning	80
9.7.7	Error log	80
9.7.8	Self-test	81
9.8	Security Mode Feature Set	82
9.8.1	Security mode	82
9.8.2	Security level	82
9.8.3	Passwords	82
9.8.4	Operation example	83
9.8.5	Command table	86
9.9	Host Protected Area Function	88
9.9.1	Example for operation (in LBA mode)	88
9.9.2	Security extensions	89
9.10	Seek Overlap	90
9.11	Write cache function	91
9.12	Reassign function	91
9.13	Auto Reassign function	91
9.13.1	Nonrecovered write errors	91
9.13.2	Nonrecovered read errors	91
9.13.3	Recovered read errors	92
9.14	Power-Up In Standby feature set	92
9.15	Advanced Power Management feature set (APM)	92
9.16	Automatic Acoustic Management feature set (AAM)	93
9.17	Address Offset Feature	93
9.17.1	Enable/Disable Address Offset Mode	93
9.17.2	Identify Device Data	94
9.17.3	Exceptions in Address Offset Mode	94
10.0	Command Protocol	95
10.1	PIO Data In commands	96
10.2	PIO Data Out commands	98
10.3	Non-data commands	100
10.4	DMA commands	101
10.5	DMA queued commands	102

11.0 Command descriptions	103
11.1 Check Power Mode (E5h/98h)	107
11.2 Device Configuration Overlay (B1h)	108
11.2.1 DEVICE CONFIGURATION RESTORE (subcommand C0h)	108
11.2.2 DEVICE CONFIGURATION FREEZE LOCK (subcommand C1h)	109
11.2.3 DEVICE CONFIGURATION IDENTIFY (subcommand C2h)	109
11.2.4 DEVICE CONFIGURATION SET (subcommand C3h)	109
11.3 Execute Device Diagnostic (90h)	111
11.4 Flush Cache (E7h)	112
11.5 Format Track (50h)	113
11.6 Format Unit (F7h)	115
11.7 Identify Device (ECh)	116
11.8 Idle (E3h/97h)	123
11.9 Idle Immediate (E1h/95h)	124
11.10 Initialize Device Parameters (91h)	125
11.11 NOP (00h)	126
11.12 Read Buffer (E4h)	127
11.13 Read DMA (C8h/C9h)	128
11.14 Read DMA Queued (C7h)	130
11.15 Read Long (22h/23h)	132
11.16 Read Multiple (C4h)	134
11.17 Read Native Max Address (F8h)	136
11.18 Read Sectors (20h/21h)	137
11.19 Read Verify Sectors (40h/41h)	139
11.20 Recalibrate (1xh)	141
11.21 Security Disable Password (F6h)	142
11.22 Security Erase Prepare (F3h)	143
11.23 Security Erase Unit (F4h)	144
11.24 Security Freeze Lock (F5h)	146
11.25 Security Set Password (F1h)	147
11.26 Security Unlock (F2h)	149
11.27 Seek (7xh)	151
11.28 Service (A2h)	152
11.29 Set Features (EFh)	153
11.29.1 Set Transfer mode	154
11.29.2 Write Cache	154
11.29.3 Advanced Power Management	154
11.29.4 Automatic Acoustic Management	155
11.30 Set Max Address (F9h)	156
11.30.1 Set Max Set Password (Feature = 01h)	158
11.30.2 Set Max Lock (Feature = 02h)	159
11.30.3 Set Max Unlock (Feature = 03h)	160
11.30.4 Set Max Freeze Lock (Feature = 04h)	161
11.31 Set Multiple (C6h)	162
11.32 Sleep (E6h/99h)	163
11.33 S.M.A.R.T. Function Set (B0h)	164
11.33.1 S.M.A.R.T. Subcommand	165
11.33.2 Device Attributes Data Structure	168
11.33.3 Device Attribute Thresholds Data Structure	172
11.33.4 SMART error log sector	173
11.33.5 Self-test log data structure	176
11.33.6 Error reporting	177
11.34 Standby (E2h/96h)	178
11.35 Standby Immediate (E0h/94h)	180

11.36 Write Buffer (E8h)	181
11.37 Write DMA (CAh/CBh)	182
11.38 Write DMA Queued (CCh)	184
11.39 Write Long (32h/33h)	186
11.40 Write Multiple (C5h)	188
11.41 Write Sectors (30h/31h)	190
12.0 Timings	193
Index	195

This page intentionally left blank.

List of figures

Figure 1. Formatted capacity	9
Figure 2. Mechanical positioning performance	10
Figure 3. Cylinder allocation	11
Figure 4. Command overhead	13
Figure 5. Mechanical positioning performance	13
Figure 6. Full stroke seek time	14
Figure 7. Head switch time	14
Figure 8. Cylinder switch time	15
Figure 9. Single Track Seek Time	15
Figure 10. Latency Time	15
Figure 11. Drive ready time	15
Figure 12. Data transfer speed	16
Figure 13. Simple Sequential Access performance	17
Figure 14. Random Access Performance	17
Figure 15. Mode transition times	18
Figure 16. PList physical format	19
Figure 17. Connector location (2 and 3 disk model shown)	21
Figure 18. Power connector pin assignments	21
Figure 19. Table of signals	22
Figure 20. Signal special definitions for Ultra DMA	22
Figure 21. System reset timing chart	26
Figure 22. System reset timing	26
Figure 23. PIO cycle timings chart	27
Figure 24. PIO cycle timings	27
Figure 25. Multiword DMA cycle timing chart	29
Figure 26. Multiword DMA cycle timings	29
Figure 27. Ultra DMA cycle timing chart (Initiating Read)	30
Figure 28. Ultra DMA cycle timings (Initiating Read)	30
Figure 29. Ultra DMA cycle timing chart (Host pausing Read)	31
Figure 30. Ultra DMA cycle timings (Host pausing Read)	31
Figure 31. Ultra DMA cycle timing chart (Host terminating Read)	32
Figure 32. Ultra DMA cycle timings (Host terminating Read)	32
Figure 33. Ultra DMA cycle timing chart (Device terminating Read)	33
Figure 34. Ultra DMA cycle timings (Device Terminating Read)	33
Figure 35. Ultra DMA cycle timing chart (Initiating Write)	34
Figure 36. Ultra DMA cycle timings (Initiating Write)	34
Figure 37. Ultra DMA cycle timing chart (Device Pausing Write)	35
Figure 38. Ultra DMA cycle timings (Device Pausing Write)	35
Figure 39. Ultra DMA cycle timing chart (Device Terminating Write)	36
Figure 40. Ultra DMA cycle timings (Device terminating Write)	36
Figure 41. Ultra DMA cycle timing chart (Host Terminating Write)	37
Figure 42. Ultra DMA cycle timings (Host Terminating Write)	37
Figure 43. I/O address map	38
Figure 44. Jumper pin location (2 and 3 disk model shown)	39
Figure 45. Jumper pin identification (2 and 3 disk model shown)	39
Figure 46. Jumper pin assignment	40
Figure 47. Jumper positions for normal use	41
Figure 48. Jumper positions for 15 logical head default	42
Figure 49. Jumper positions for capacity clip to 2GB/32GB	43
Figure 50. Jumper settings for Disabling Auto Spin	44

Figure 51. Temperature and humidity	45
Figure 52. Limits of temperature and humidity	46
Figure 53. Input voltage	47
Figure 54. Power supply current of 120 GB and 100 GB models	47
Figure 55. Power supply current of 80 GB and 60 GB models	48
Figure 56. Power supply current of 40 GB and 20 GB models	48
Figure 57. Power supply generated ripple at drive power connector	49
Figure 58. Top and side views of 60 GB - 120 GB models with mechanical dimensions	51
Figure 59. Bottom and side views of 20GB and 40GB models with breather hole and mounting hole locations	52
Figure 60. Physical Dimensions	52
Figure 61. Mounting hole locations (all dimensions are in mm)	53
Figure 62. Connector locations	54
Figure 63. Random vibration PSD profile break points (operating)	55
Figure 64. Random vibration PSD profile break points (nonoperating)	55
Figure 65. Sinusoidal shock wave	57
Figure 66. Rotational Shock	57
Figure 67. Sound power levels	58
Figure 68. Register Set	67
Figure 69. Alternate Status Register	68
Figure 70. Device Control Register	69
Figure 71. Drive Address Register	69
Figure 72. Device/Head Register	70
Figure 73. Error Register	70
Figure 74. Status Register	72
Figure 75. Reset Response Table	73
Figure 76. Default Register Values	74
Figure 77. Diagnostic Codes	74
Figure 78. Reset error register values	75
Figure 79. Power conditions	79
Figure 80. Initial Setting	83
Figure 81. Usual Operation	84
Figure 82. Password Lost	85
Figure 83. Command table for device lock operation (part 1 of 2)	86
Figure 84. Command table for device lock operation (part 2 of 2)	87
Figure 85. Seek overlap	90
Figure 86. Device address map before and after Set Feature	94
Figure 87. Command set (1 of 2)	103
Figure 88. Command set (2 of 2)	104
Figure 89. Command set (Subcommands)	105
Figure 90. Check Power Mode Command (E5h/98h)	107
Figure 91. Check Power Mode Command (E5h/98h)	108
Figure 92. Device Configuration Overlay Features register values	108
Figure 93. Device Configuration Overlay Data structure	110
Figure 94. DCO error information definition	110
Figure 95. Execute Device Diagnostic Command (90h)	111
Figure 96. Flush Cache Command (E7h)	112
Figure 97. Format Track Command (50h)	113
Figure 98. Format Unit Command (F7h)	115
Figure 99. Identify Device Command (ECh)	116
Figure 100. Identify Device Information (part 1 of 6)	117
Figure 101. Identify Device Information (part 2 of 6)	118
Figure 102. Identify Device Information (part 3 of 6)	119
Figure 103. Identify Device Information (part 4 of 6)	120

Figure 104. Identify Device Information (part 5 of 6)	121
Figure 105. Identify Device Information (part 6 of 6)	122
Figure 106. Idle Command (E3h/97h)	123
Figure 107. Idle Immediate Command (E1h/95h)	124
Figure 108. Initialize Device Parameters Command (91h)	125
Figure 109. NOP Command (00h)	126
Figure 110. Read Buffer Command (E4h)	127
Figure 111. Read DMA Command (C8h/C9h)	128
Figure 112. Read DMA Queued Command (C7h)	130
Figure 113. Read Long Command (22h/23h)	132
Figure 114. Read Multiple Command (C4h)	134
Figure 115. Read Native Max LBA/CYL (F8h)	136
Figure 116. Read Sectors Command (20h/21h)	137
Figure 117. Read Verify Sectors Command (40h/41h)	139
Figure 118. Recalibrate Command (1xh)	141
Figure 119. Security Disable Password Command (F6h)	142
Figure 120. Password Information for Security Disable Password command	142
Figure 121. Security Erase Prepare Command (F3h)	143
Figure 122. Security Erase Unit Command (F4h)	144
Figure 123. Erase Unit Information	144
Figure 124. Security Freeze Lock Command (F5h)	146
Figure 125. Security Set Password Command (F1h)	147
Figure 126. Security Set Password Information	148
Figure 127. Security Unlock Command (F2h)	149
Figure 128. Security Unlock Information	150
Figure 129. Seek Command (7xh)	151
Figure 130. Service Command (A2h)	152
Figure 131. Set Features Command (EFh)	153
Figure 132. Set Max Address (F9h)	156
Figure 133. Set Max Set Password	158
Figure 134. Set Max Set Password data contents	158
Figure 135. Set Max Lock	159
Figure 136. Set Max Unlock (F9h)	160
Figure 137. Set Max Freeze Lock (F9h)	161
Figure 138. Set Multiple Command (C6h)	162
Figure 139. Sleep Command (E6h/99h)	163
Figure 140. S.M.A.R.T. Function Set Command (B0h)	164
Figure 141. Log sector addresses	166
Figure 142. Device Attributes Data Structure	168
Figure 143. Individual Attribute Data Structure	169
Figure 144. Device Attribute Thresholds Data Structure	172
Figure 145. Individual Threshold Data Structure	172
Figure 146. SMART error log sector	173
Figure 147. Error log data structure	174
Figure 148. Command data structure	174
Figure 149. Error data structure	175
Figure 150. Self-test log data structure	176
Figure 151. S.M.A.R.T. Error Codes	177
Figure 152. Standby Command (E2h/96h)	178
Figure 153. Standby Immediate Command (E0h/94h)	180
Figure 154. Write Buffer Command (E8h)	181
Figure 155. Write DMA Command (CAh/CBh)	182
Figure 156. Write DMA Queued Command (CCh)	184
Figure 157. Write Long Command (32h/33h)	186

Figure 158. Write Multiple Command (C5h)	188
Figure 159. Write Sectors Command (30h/31h)	190
Figure 160. Time-out values	193

1.0 General

This document describes the specifications of the Deskstar 120GXP, an IBM 3.5-inch 7200-rpm ATA interface hard disk drive with the following model numbers:

- IC35L020AVVN07 (20 GB)
- IC35L040AVVN07 (40 GB)
- IC35L060AVVA07 (60 GB)
- IC35L080AVVA07 (80 GB)
- IC35L100AVVA07 (100 GB)
- IC35L120AVVA07 (120 GB)

Part 1 defines the functional specification. Part 2 defines the interface specification.

The specifications in this document are subject to change without notice.

1.1 Glossary

ESD	Electrostatic Discharge
Kbpi	1,000 bits per inch
Ktpi	1,000 tracks per inch
Mbps	1,000,000 bits per second
GB	1,000,000,000 bytes
MB	1,000,000 bytes
KB	1,000 bytes unless otherwise specified
32KB	32 x 1024 bytes
64KB	64 x 1024 bytes
S.M.A.R.T.	Self-Monitoring Analysis and Reporting Technology
DFT	Drive Fitness Test
ADM	Automatic Drive Maintenance

1.2 General caution

The drive can be damaged by shock or ESD (Electrostatic Discharge). Any damage sustained by the drive after removal from the shipping package and opening the ESD protective bag are the responsibility of the user.

1.3 References

- Information Technology-AT Attachment with Packet Interface-6

This page intentionally left blank.

2.0 General features

- Data capacities of 20 GB - 120 GB
- Spindle speeds of 7200 RPM
- Enhanced IDE interface
- Sector format of 512 bytes/sector
- Closed-loop actuator servo
- Load/Unload mechanism, non head disk contact start/stop
- Automatic Actuator lock
- Interleave factor 1:1
- Seek time of 8.5 ms in Read Operation (8.2 ms typical without Command Overhead) (2 and 3 disk models)
- Sector Buffer size of 2048 KB (Upper 184.5 KB is used for firmware)
- Ring buffer implementation
- Write Cache
- Queued feature support
- Advanced ECC On The Fly (EOF)
- Automatic Error Recovery procedures for read and write commands
- Self Diagnostics on Power on and resident diagnostics
- PIO Data Transfer Mode 4 (16.6 MB/sec)
- DMA Data Transfer
 - Multiword mode Mode 2 (16.6 MB/sec)
 - Ultra DMA Mode 5 (100 MB/sec)
- CHS and LBA mode
- Power saving modes/Low RPM idle mode (APM)
- S.M.A.R.T. (Self Monitoring and Analysis Reporting Technology)
- Support security feature
- Quiet Seek mode (AAM)

This page intentionally left blank.

Part 1. Functional specification

This page intentionally left blank.

3.0 Fixed disk subsystem description

3.1 Control Electronics

The drive is electronically controlled by a microprocessor, several logic modules, digital/analog modules, and various drivers and receivers. The control electronics performs the following major functions:

- Controls and interprets all interface signals between the host controller and the drive.
- Controls read write accessing of the disk media, including defect management and error recovery.
- Controls starting, stopping, and monitoring of the spindle.
- Conducts a power-up sequence and calibrates the servo.
- Analyzes servo signals to provide closed loop control. These include position error signal and estimated velocity.
- Monitors the actuator position and determines the target track for a seek operation.
- Controls the voice coil motor driver to align the actuator in a desired position.
- Constantly monitors error conditions of the servo and takes corresponding action if an error occurs.
- Monitors various timers such as head settle and servo failure.
- Performs self-checkout (diagnostics).

3.2 Head disk assembly

The head disk assembly (HDA) is assembled in a clean room environment and contains the disks and actuator assembly. Air is constantly circulated and filtered when the drive is operational. Venting of the HDA is accomplished via a breather filter.

The spindle is driven directly by an in-hub, brushless, sensorless DC drive motor. Dynamic braking is used to quickly stop the spindle.

3.3 Actuator

The read/write heads are mounted in the actuator. The actuator is a swing-arm assembly driven by a voice coil motor. A closed-loop positioning servo controls the movement of the actuator. An embedded servo pattern supplies feedback to the positioning servo to keep the read/write heads centered over the desired track.

The actuator assembly is balanced to allow vertical or horizontal mounting without adjustment.

When the drive is powered off, the actuator automatically moves the head to the actuator ramp outside of the disk where it parks.

This page intentionally left blank.

4.0 Drive characteristics

This section describes the characteristics of the drive.

4.1 Default logical drive parameters

The default of the logical drive parameters in Identify Device data is as shown below.

Description	IC35L020AVVN07	IC35L040AVVN07	IC35L060AVVA07
Physical Layout			
Label capacity (GB)	20.5	41.1	61.4
Bytes per Sector	512	512	512
Sectors per Track	448-928 480-984	448-928 480-984	448-928
Number of Heads	1	2	3
Number of Disks	1	1	2
Data sectors per cylinder	448-928 480-984	896-1856 960-1968	1344-2784
Data cylinders per zone	1537-2123 1550-2020	1537-2123 1550-2020	1537-2123
Logical Layout¹			
Number of Heads	16	16	16
Number of Sectors/ Track	63	63	63
Number of Cylinders ²	16,383	16,383	16,383
Number of Sectors	40,188,960	80,418,240	120,103,200
Total Logical Data Bytes	20,576,747,520	41,174,138,880	61,492,838,400

Description	IC35L080AVVA07	IC35L100AVVA07	IC35L120AVVA07
Physical Layout			
Label capacity (GB)	82.3	102.9	123.5
Bytes per Sector	512	512	512
Sectors per Track	448-928	448-928	448-928
Number of Heads	4	5	6
Number of Disks	2	3	3
Data sectors per cylinder	1792-3712	2240-4640	2688-5568
Data cylinders per zone	1537-2123	1537-2123	1537-2123
Logical Layout¹			
Number of Heads	16	16	16
Number of Sectors/ Track	63	63	63
Number of Cylinders ²	16,383	16,383	16,383
Number of Sectors	160,836,480	201,045,600	241,254,720
Total Logical Data Bytes	82,348,277,760	102,935,347,200	123,522,416,640

Figure 1. Formatted capacity

Notes:

¹ Number of cylinders: For drives with capacities greater than 8.45 GB the IDENTIFY DEVICE information word 01 limits the number of cylinders to 16,383 per the ATA specification.

² Logical layout: Logical layout is an imaginary drive parameter (that is, the number of heads) which is used to access the drive from the system interface. The Logical layout to Physical layout (that is, the actual Head and Sectors) translation is done automatically in the drive. The default setting can be obtained by issuing an IDENTIFY DEVICE command

4.2 Data sheet

Description	High TPI models	Low TPI models
Data transfer rate (Mbps)	592	627
Interface transfer rate (MB/s)	100	100
Data buffer size ¹ (KB)	2,048	2,048
Rotational speed (RPM)	7,200	7,200
Number of buffer segments (read)	up to 12	up to 12
Number of buffer segments (write)	up to 56	up to 56
Recording density- max (Kbpi)	524	547
Track density (Ktpi)	56.7	54
Areal density - max (Gbits/in ²)	29.7	29.7
Number of data bands	31	31

¹Upper 184.5 KB is used for firmware

Figure 2. Mechanical positioning performance

4.3 Drive organization

4.3.1 Drive format

Upon shipment from IBM manufacturing the drive satisfies the sector continuity in the physical format by means of the defect flagging strategy described in Section 5.0 on page 19 in order to provide the maximum performance to users.

4.3.2 Cylinder allocation

Data Zone	Physical Cylinders		Blk/Trk	
	High TPI model	Low TPI model	High TPI	Low TPI
0	0-1938	0-1749	928	984
1	1939-3756	1750-3479	921	979
2	3757-5564	3480-5199	912	960
3	5565-7687	5200-7219	896	960
4	7688-9526	7220-8969	888	932
5	9527-11334	8970-10689	883	921
6	11335-13331	10690-12399	864	912
7	13332-15128	12400-14109	850	890
8	15129-16925	14110-15819	840	883
9	16926-18922	15820-17719	822	864
10	18923-20709	17720-19419	806	850
11	20710-22601	19420-21219	792	832
12	22602-24138	21220-22919	787	822
13	24139-26024	22920-24619	768	806
14	26025-27652	24620-26169	752	792
15	27653-29501	26170-27929	740	768
16	29502-31234	27930-29579	725	768
17	31235-33009	29580-31269	698	740
18	33010-34784	31270-32959	691	725
19	34785-36609	32960-34649	672	704
20	36610-38374	34650-36329	648	682
21	37375-40139	36330-38009	630	658
22	40140-41904	38010-39689	614	640
23	41905-43519	39690-41369	595	624
24	43520-45250	41370-42969	576	608
25	45251-47004	42970-44639	552	576
26	47005-48758	44640-46309	533	558
27	48759-50491	46310-47959	512	544
28	50492-52256	47960-49639	493	518
29	52257-54010	49640-51309	471	499
30	54011-55571	51310-52890	448	480

Figure 3. Cylinder allocation

Physical cylinder is calculated from the starting data track of 0. It is not relevant to logical CHS. Depending on the capacity some of the inner zone cylinders are not allocated.

Data cylinder

This cylinder contains the user data which can be sent and retrieved via read/write commands and a spare area for reassigned data.

Spare cylinder

The spare cylinder is used by IBM manufacturing and includes data sent from a defect location.

4.4 Performance characteristics

Drive performance is characterized by the following parameters:

- Command overhead
- Mechanical positioning
 - Seek time
 - Latency
- Data transfer speed
- Buffering operation (Look ahead/Write cache)

All the above parameters contribute to drive performance. There are other parameters that contribute to the performance of the actual system. This specification defines the characteristics of the drive, not the characteristics of the system throughput which depends on the system and the application.

4.4.1 Command overhead

Command overhead is defined as the time required

- from the time the command is written into the command register by a host
- to the assertion of DRQ for the first data byte of a READ command when the requested data is not in the buffer
- excluding Physical seek time and Latency

The table below gives average command overhead.

Command type (Drive is in quiescent state)	Time (Typical) (ms)	Time (Typical) for queued command (ms)
Read (Cache not hit) (from Command Write to Seek Start)	0.3	0.3
Read (Cache hit) (from Command Write to DRQ)	0.1	0.1
Write (from Command Write to DRQ)	0.015	0.05
Seek (from Command Write to Seek Start)	0.3	not applicable

Figure 4. Command overhead

4.4.2 Mechanical positioning

4.4.2.1 Average seek time (without command overhead, including settling)

Command Type	Typical (ms)	Max (ms)
Read (60 GB – 120 GB models)	8.2	9.2
Read (20 GB & 40 GB models)	8.5	9.5
Write	9.2	10.2
Read (Quiet Seek mode)	19.5	20.5
Write (Quiet Seek mode)	20.5	21.5

Figure 5. Mechanical positioning performance

The terms “Typical” and “Max” are used throughout this specification with the following meanings:

Typical. The average of the drive population tested at nominal environmental and voltage conditions.

Max. The maximum value measured on any one drive over the full range of the environmental and voltage conditions. (See Section 6.4, “Environment” on page 45 and Section 6.5, “DC Power Requirements” on page 47.

Seek time is measured from the start of the motion of the actuator to the start of a *reliable read or write operation*. “Reliable read or write” implies that error correction/recovery is not used to correct arrival problems. The average seek time is measured as the weighted average of all possible seek combinations.

$$\sum_{n=1}^{\text{max.}} (\text{max.} + 1 - n) (T_{n_{\text{in}}} + T_{n_{\text{out}}})$$

$$\text{Weighted Average} = \frac{\sum_{n=1}^{\text{max.}} (\text{max.} + 1 - n) (T_{n_{\text{in}}} + T_{n_{\text{out}}})}{(\text{max.} + 1) (T_{n_{\text{in}}} + T_{n_{\text{out}}})}$$

where: max = maximum seek length
n = seek length (1 to max)
T_{n_{in}} = inward measured seek time for an n-track seek
T_{n_{out}} = outward measured seek time for an n-track seek

4.4.2.2 Full stroke seek (without command overhead, including settling)

Function	Typical (ms)	Max (ms)
Read (60 GB – 120 GB models)	14.7	17.7
Read (20 GB & 40 GB models)	15.7	18.3
Write (60 GB – 120 GB models)	15.7	18.7
Write (20 GB & 40 GB models)	16.3	19.3
Read (Quiet Seek mode)	32.5	35.5
Write (Quiet Seek mode)	33.5	36.5

Figure 6. Full stroke seek time

Full stroke seek is measured as the average of 1000 full stroke seeks with a *random head switch* from both directions (inward and outward).

4.4.2.3 Head switch time (Head skew)

	Head switch time - typical (ms)
56.7 kTPI	1.5
54 kTPI	2.0

Figure 7. Head switch time

Head switch time is defined as the amount of time required by the fixed disk to complete a seek of the next sequential track after reading the last sector in the current track

The measuring method is given in 4.4.5 “Throughput” on page 17.

4.4.2.4 Cylinder switch time (Cylinder skew)

	Cylinder switch time - typical (ms)
56.7 kTPI	2.0
54 kTPI	2.5

Figure 8. Cylinder switch time

Cylinder switch time is defined as the amount of time required by the fixed disk to access the next sequential block after reading the last sector in the current cylinder.

The measuring method is given in 4.4.5, "Throughput" on page 17.

4.4.2.5 Single track seek time (without command overhead, including settling)

Function	Typical (ms)	Max (ms)
Read	0.8	1.5
Write	1.3	2.0
Read (Quiet Seek mode)	0.8	1.5
Write (Quiet Seek mode)	1.3	2.0

Figure 9. Single Track Seek Time

Single track seek is measured as the average of one (1) single track seek from every track with a random head switch in both directions (inward and outward).

4.4.2.6 Average latency

Rotational speed	Time for a revolution (ms)	Average latency (ms)
7200 RPM	8.3	4.17

Figure 10. Latency Time

4.4.3 Drive ready time

Power on to ready	Typical (sec)	Maximum (sec)
20 GB & 40 GB models	10	31
60 GB & 80 GB models	9	31
100 GB & 120 GB models	11	31

Figure 11. Drive ready time

Ready The condition in which the drive is able to perform a media access command (such as read, write) immediately.

Power on This includes the time required for the internal self diagnostics.

Note: Max Power On to ready time is the maximum time period that Device 0 waits for Device 1 to assert PDIAG-.

4.4.4 Data transfer speed

Data transfer speed	120 GB model (Mbyte/sec)
Disk-Buffer transfer (Zone 0)	
Instantaneous - typical	57.2
Sustained - read typical	48.0
Disk-Buffer transfer (Zone 30)	
Instantaneous - typical	27.6
Sustained - read typical	23.2
Buffer-Host (max)	100

Figure 12. Data transfer speed

- Instantaneous disk-buffer transfer rate (Mbyte/sec) is derived by the following formula:
512 (Number of sectors on a track) (revolution per second)
Note: The number of sectors per track will vary because of the linear density recording.
- Sustained disk-buffer transfer rate (Mbyte/sec) is defined by considering head/cylinder change time for read operation. This gives a local average data transfer rate. It is derived by the following formula:
(Sustained Transfer Rate) = $A / (B + C + D)$ where
 - A = 512 (number of data sectors per cylinder)
 - B = (number of Surfaces per cylinder – 1) (head switch time)
 - C = cylinder change time
 - D = (number of surfaces) (time for one revolution)
- Instantaneous buffer-host transfer rate (Mbyte/sec) defines the maximum data transfer rate on the AT Bus. It also depends on the speed of the host.

The method of measurement is given in 4.4.5, "Throughput" on page 17.

4.4.5 Throughput

4.4.5.1 Simple sequential access

The following figure illustrates the case of the three-disk enclosure.

Operation	Typical (sec)	Max (sec)
Sequential Read (Zone 0)	0.38	0.40
Sequential Read (Zone 30)	0.77	0.81

Figure 13. Simple Sequential Access performance

The above table gives the time required to read a total of 8000h consecutive blocks (16,777,216 bytes) accessed by 128 read commands. Typical and Max values are given by 105% and 110% of T respectively throughout following performance description.

Note: It is assumed that a host system responds instantaneously and host data transfer is faster than sustained data rate.

$$T = A + B + C + 16,777,216/D + 512/E \quad (\text{READ})$$

where

- T = Calculated time (sec)
- A = Command process time (Command overhead) (sec)
- B = Average seek time (sec)
- C = Average latency (sec)
- D = Sustained disk-buffer transfer rate (byte/sec)
- E = Buffer-host transfer rate (byte/sec)

4.4.5.2 Random access

The following figure illustrates the case of the three-disk enclosure.

Operation	Typical (sec)	Max (sec)
Random Read	55	58

Figure 14. Random Access Performance

The above table gives the time required to execute a total of 1000h read commands which access a single random LBA.

$$T = 4096 (A + B + C + 512/D + 512/E) \quad (\text{READ})$$

where

- T = Calculated time (sec)
- A = Command process time (Command overhead) (sec)
- B = Average seek time (sec)
- C = Latency
- D = Average sustained disk-buffer transfer rate (byte/sec)
- E = Buffer-host transfer rate (byte/sec)

4.4.6 Operating modes

4.4.6.1 Operating mode descriptions

Operating mode	Description
Spin-up	Start up time period from spindle stop or power down
Seek	Seek operation mode
Write	Write operation mode
Read	Read operation mode
Unload Idle	Spindle rotation at 7200 RPM with heads unloaded
Idle	Spindle motor and servo system are working normally. Commands can be received and processed immediately
Standby	Actuator is unloaded and spindle motor is stopped. Commands can be received immediately
Sleep	Actuator is unloaded and spindle motor is stopped. Only soft reset or hard reset can change the mode to standby

Note: Upon power down or spindle stop a head locking mechanism will secure the heads in the OD parking position.

4.4.6.2 Mode transition times

Mode transition times are shown below.

From	To	RPM	Transition time (typical) (sec)	Transition time (max) (sec)
Standby	Idle	0 -> 7200 (3 disks)	12	31
Idle	Standby	7200 -> 0	Immediately	Immediately
Standby	Sleep	0	Immediately	Immediately
Sleep	Standby	0	Immediately	Immediately
Unload idle	Idle	7,200	0.7	
Idle	Unload Idle	7,200	0.7	

Note: The command is processed immediately but there will be an actual spin down time reflecting the seconds passed until the spindle motor stops.

Figure 15. Mode transition times

5.0 Defect flagging strategy

Media defects are remapped to the next available sector during the Format Process in manufacturing. The mapping from LBA to the physical locations is calculated by an internally maintained table.

Shipped format

- Data areas are optimally used.
- No extra sector is wasted as a spare throughout user data areas.
- All pushes generated by defects are absorbed by the spare tracks of the inner zone.

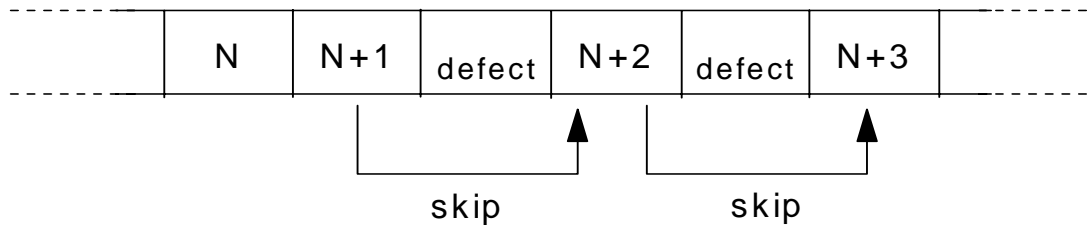


Figure 16. PList physical format

Defects are skipped without any constraint, such as track or cylinder boundary. The calculation from LBA to physical is done automatically by internal table.

This page intentionally left blank.

6.0 Specification

6.1 Electrical interface

6.1.1 Connector location

Refer to the following illustration to see the location of the connectors.

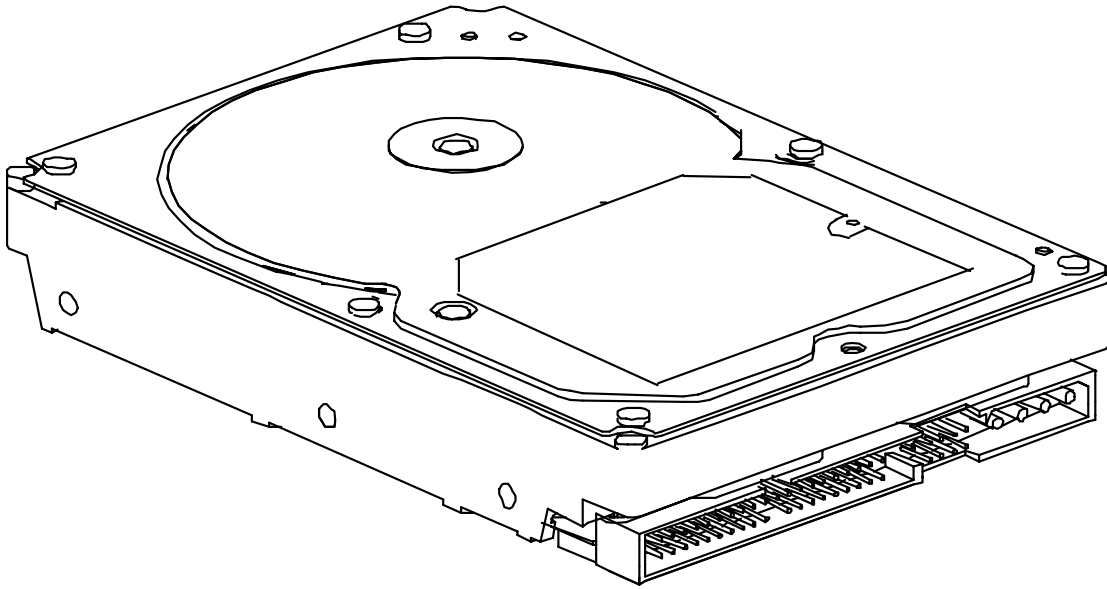


Figure 17. Connector location (2 and 3 disk model shown)

6.1.1.1 DC power connector

The DC power connector is designed to mate with AMP part number 1-480424-0 using AMP pins part number 350078-4 (strip), part number 61173-4 (loose piece), or their equivalents. Pin assignments are shown in the figure below.

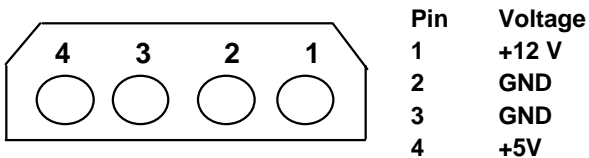


Figure 18. Power connector pin assignments

6.1.1.2 AT signal connector

The AT signal connector is a 40-pin connector.

6.1.2 Signal definition

The pin assignments of interface signals are listed in the figure below:

PIN	SIGNAL	I/O	Type	PIN	SIGNAL	I/O	Type
01	RESET-	I	TTL	02	GND		
03	DD7	I/O	3-state	04	DD8	I/O	3-state
05	DD6	I/O	3-state	06	DD9	I/O	3-state
07	DD5	I/O	3-state	08	DD10	I/O	3-state
09	DD4	I/O	3-state	10	DD11	I/O	3-state
11	DD3	I/O	3-state	12	DD12	I/O	3-state
13	DD2	I/O	3-state	14	DD13	I/O	3-state
15	DD1	I/O	3-state	16	DD14	I/O	3-state
17	DD0	I/O	3-state	18	DD15	I/O	3-state
19	GND			(20)	key		
21	DMARQ	O	3-state	22	GND		
23	DIOW-(*)	I	TTL	24	GND		
25	DIOR-(*)	I	TTL	26	GND		
27	IORDY(*)	O	3-state	28	CSEL	I	TTL
29	DMACK-	I	TTL	30	GND		
31	INTRQ	O	3-state	32	IOCS16-(**)	O	OC
33	DA1	I	TTL	34	PDIAG-	I/O	OC
35	DA0	I	TTL	36	DA2	I	TTL
37	CSO-	I	TTL	38	CS1-	I	TTL
39	DASP-	I/O	OC	40	GND		

Figure 19. Table of signals

Notes:

1. "O" designates an output from the drive.
2. "I" designates an input to the drive.
3. "I/O" designates an input/output common.
4. "OC" designates open-collector or open-drain output.
5. The signal lines marked with (*) are redefined during the Ultra DMA protocol to provide special functions. These lines change from the conventional to special definitions at the moment the Host decides to allow a DMA burst if the Ultra DMA transfer mode was previously chosen via SetFeatures. The Drive becomes aware of this change upon assertion of the DMACK- line. These lines revert back to their original definitions upon the deassertion of DMACK- at the termination of the DMA burst.
6. (**) complies with ATA-2.

	Special Definition (for Ultra DMA)	Conventional Definition
Write Operation	DDMARDY- HSTROBE STOP	IORDY DIOR- DIOW-
Read Operation	HDMARDY- DSTROBE STOP	DIOR- IORDY DIOW-

Figure 20. Signal special definitions for Ultra DMA

DD0-DD15	16-bit bi-directional data bus between the host and the drive. The lower 8 lines, DD00-07, are used for Register and ECC access. All 16 lines, DD00-15, are used for data transfer. These are 3-State lines with 24 mA current sink capability.
DA0-DA2	Address used to select the individual register in the drive.
CS0-	Chip select signal generated from the Host address bus. When active, one of the Command Block Registers (Data, Error {Features when written}, Sector Count, Sector Number, Cylinder Low, Cylinder High, Drive/Head and Status {Command when written} register) can be selected. (See Figure 43 on page 38.)
CS1-	Chip select signal generated from the Host address bus. When active one of the Control Block Registers (Alternate Status {Device Control when written} and Drive Address register) can be selected. (See Figure 43 on page 38.)
RESET-	This line is used to reset the drive. It shall be kept in Low logic state during power up and in High thereafter.
DIOW-	Its rising edge holds data from the host data bus to a register or data register of the drive.
DIOR-	When low, this signal enables data from a register or data register of the drive onto data bus. The data on the bus shall be latched on the rising edge of DIOR-.
INTRQ	Interrupt is enabled only when the drive is selected and the host activates the nIEN bit in the Device Control Reg. Otherwise, this signal is in high impedance state regardless of the state of the IRQ bit. The interrupt is set when the IRQ bit is set by the drive CPU. IRQ is reset to zero by a host read of the status register or a write to the Command Reg. This signal is a 3-State line with 24 mA sink capability.
IOCS16-	Indication to the host that a 16-bit wide data register has been addressed and that the drive is prepared to send or receive a 16-bit wide data word. This signal is an Open-drain output with 24 mA sink capability and an external resistor is needed to pull this line to 5 volts.
DASP-	<p>This is a time-multiplexed signal which indicates that a drive is active, or that device 1 is present. This signal is driven by Open-Drain driver and internally pulled up to 5 volts through a 10kΩ resistor.</p> <p>During Power-On initialization or after RESET- is negated, DASP- shall be asserted by Device 1 within 400 ms to indicate that device 1 is present. Device 0 shall allow up to 450 ms for device 1 to assert DASP-. If device 1 is not present, device 0 may assert DASP- to drive a LED indicator.</p> <p>DASP- shall be negated following acceptance of the first valid command by device 1. At anytime after negation of DASP-, either drive may assert DASP- to indicate that a drive is active.</p>
PDIAG-	<p>PDIAG- shall be asserted by device 1 to indicate to device 0 that it has completed diagnostics. This line is pulled-up to 5 volts in the drive through a 10kΩ resistor.</p> <p>Following a Power On Reset, software reset, or RESET-, drive 1 shall negate PDIAG- within 1 ms (to indicate to device 0 that it is busy). Drive 1 shall then assert PDIAG- within 30 seconds to indicate that it is no longer busy and is able to provide status.</p> <p>Following the receipt of a valid Execute Drive Diagnostics command, device 1 shall negate PDIAG- within 1 ms to indicate to device 0 that it is busy and has not yet passed its drive diagnostics. If device 1 is present, device 0 shall wait up to 6 seconds from the receipt of a valid Execute Drive Diagnostics command for drive 1 to assert PDIAG-. Device 1 should clear BSY before asserting PDIAG-, as PDIAG- is used to indicate that device 1 has passed its diagnostics and is ready to post status.</p>

If device 1 did not assert DASP- during reset initialization, device 0 shall post its own status immediately after it completes diagnostics and clear the device 1 Status register to 00h. Device 0 may be unable to accept commands until it has finished its reset procedure and is ready (DRDY=1).

Device 1 shall release PDIAG-/CBLID- no later than after the first command following a power on or hardware reset sequence so that the host may sample PDIAG-/CBLID- in order to detect the presence or absence of an 80-conductor cable assembly.

CSEL (Cable Select) (Optional)

The drive is configured as either Device 0 or 1 depending upon the value of CSEL.

- If CSEL is grounded, the device address is 0.
- If CSEL is open, the device address is 1.

KEY Pin position 20 has no connection pin. It is recommended to close the respective position of the cable connector in order to avoid incorrect insertion by mistake.

IORDY This signal is negated to extend the host transfer cycle when a drive is not ready to respond to a data transfer request and may be negated when the host transfer cycle is less than 240 ns for PIO data transfer. This signal is an open-drain output with 24 mA sink capability and an external resistor is needed to pull this line to 5 volts.

DMACK- This signal shall be used by the host in response to DMARQ to either acknowledge that data has been accepted or that data is available.

This signal is internally pulled up to 5 V through a 15 K Ω resistor. The tolerance of the resistor value is -50% to +100%.

DMARQ This signal, used for DMA data transfers between host and drive, shall be asserted by the drive when it is ready to transfer data to or from the host. The direction of data transfer is controlled by DIOR- and DIOW-. This signal is used on a handshake manner with DMACK-. This signal is a 3-state line with 24mA sink capability and internally pulled down to GND through 10 K Ω resistor.

HDMARDY- (Ultra DMA)

This signal is used only for Ultra DMA data transfers between the host and the device.

HDMARDY- is a flow control signal for Ultra DMA data in bursts. This signal is held asserted by the host to indicate to the device that the host is ready to receive Ultra DMA data in transfers. The host may negate HDMARDY- to pause an Ultra DMA data in transfer.

HSTROBE (Ultra DMA)

This signal is used only for Ultra DMA data transfers between the host and the device.

HSTROBE is the data out strobe signal from the host for an Ultra DMA data out transfer. Both the rising and falling edge of HSTROBE latch the data from DD(15:0) into the device. The host may stop toggling HSTROBE to pause an Ultra DMA data out transfer.

STOP (Ultra DMA)

This signal is used only for Ultra DMA data transfers between the host and the device.

STOP shall be asserted by the host prior to initiation of an Ultra DMA burst. STOP shall be negated by the host before data is transferred in an Ultra DMA burst. Assertion of STOP by the host during or after data transfer in an Ultra DMA mode signals the termination of the burst.

DDMARDY- (Ultra DMA)

This signal is used only for Ultra DMA data transfers between the host and the device.

DDMARDY- is a flow control signal for Ultra DMA data out bursts. This signal is held asserted by the device to indicate to the host that the device is ready to receive Ultra DMA data out transfers. The device may negate DDMARDY- to pause an Ultra DMA data out transfer.

DSTROBE (Ultra DMA)

This signal is used only for Ultra DMA data transfers between the host and the device.

DSTROBE is the data in strobe signal from the device for an Ultra DMA data in transfer. Both the rising and falling edge of DSTROBE latch the data from DD(15:0) into the host. The device may stop toggling DSTROBE to pause an Ultra DMA data in transfer.

Device Termination

The termination resistors on the device side are implemented on the drive side as follows:

- 33 Ω for DD0 thru DD15, DMARQ, INTRQ
- 82 Ω for CS0-, CS1-, DA0, DA1, DA2, DIOR-, DIOW-, DMACK-
- 22 Ω for IORDY

6.1.3 Interface logic signal levels

The interface logic signal has the following electrical specifications:

Inputs	Input High Voltage	2.0 V min.
	Input Low Voltage	0.8 V max.
Outputs	Output High Voltage	2.4 V min.
	Output Low Voltage	0.5 V max.

6.2 Signal timings

6.2.1 Reset timings

Drive reset timing.

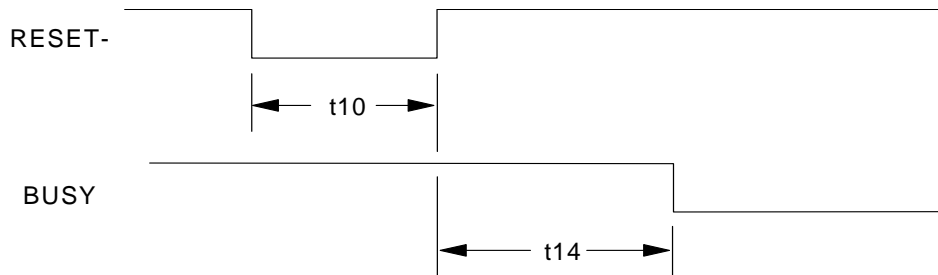


Figure 21. System reset timing chart

	PARAMETER DESCRIPTION	Min (sec)	Max (sec)
t10	RESET low width	25	
t14	RESET high to not BUSY	–	31

Figure 22. System reset timing

6.2.2 PIO timings

The PIO cycle timings meet Mode 4 of the ATA/ATAPI-6 description.

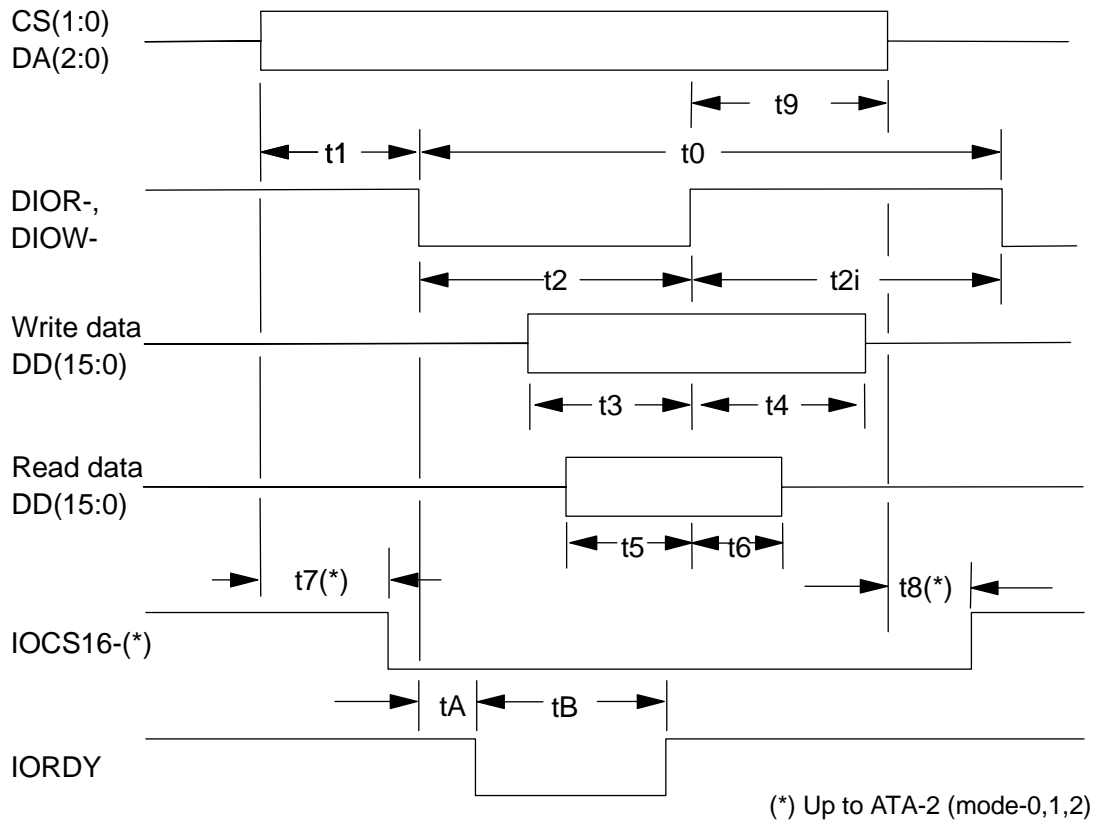


Figure 23. PIO cycle timings chart

	PARAMETER DESCRIPTION	MIN (ns)	MAX (ns)
t0	Cycle time	120	–
t1	Address valid to DIOR-/DIOW– setup	25	–
t2	DIOR-/DIOW– pulse width	70	–
t2i	DIOR-/DIOW– recovery time	25	–
t3	DIOW– data setup	20	–
t4	DIOW– data hold	10	–
t5	DIOR– data setup	20	–
t6	DIOR– data hold	5	–
t7(*)	Address valid to IOCS16– assertion	–	40
t8(*)	Address invalid to IOCS16– negation	–	30
t9	DIOR-/DIOW– to address valid hold	10	-
tA	IORDY set up time	–	35
tB	IORDY pulse width	–	1250

Figure 24. PIO cycle timings

6.2.2.1 Write DRQ interval time

For write sectors and write multiple operations 3.8 μs is inserted from the end of negation of the DRQ bit until setting of the next DRQ bit.

6.2.2.2 Read DRQ interval time

For read sectors and read multiple operations the interval from the end of negation of the DRQ bit until setting of the next DRQ bit is as follows:

- In the event that a host reads the status register only before the sector or block transfer DRQ interval, the DRQ interval 4.2 μs
- In the event that a host reads the status register after or both before and after the sector or block transfer, the DRQ interval is 11.5 μs

6.2.3 Multiword DMA timings

The Multiword DMA timing meets Mode 2 of the ATA/ATAPI-6 description.

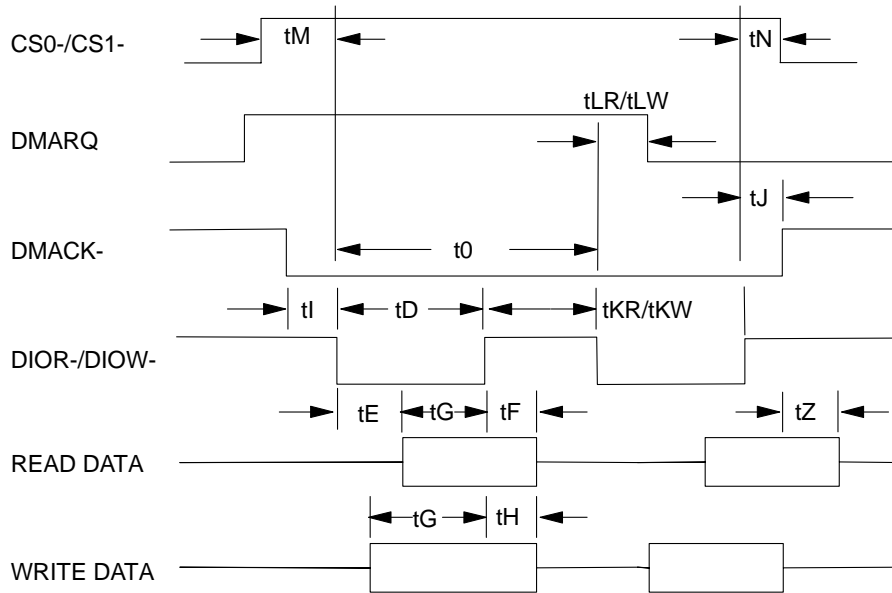


Figure 25. Multiword DMA cycle timing chart

	PARAMETER DESCRIPTION	MIN (ns)	MAX (ns)
t0	Cycle time	120	–
tD	DIOR–/DIOW– asserted pulse width	70	–
tE	DIOR– data access	–	50
tF	DIOR– data hold	5	–
tG	DIOR–/DIOW– data setup	20	–
tH	DIOW– data hold	10	–
tI	DMACK– to –DIOR–/DIOW– setup	0	–
tJ	DIOR–/DIOW– to DMACK– hold	5	–
tKR/tKW	DIOR–/DIOW– negated pulse width	25	–
tLR/tLW	DIOR–/DIOW– to DMARQ– delay	–	35
tM	CS (1:0) valid to DIOR–/DIOW–	25	–
tN	CS (1:0) hold	10	–
tZ	DMACK– to read data released	–	25

Figure 26. Multiword DMA cycle timings

6.2.4 Ultra DMA timings

The Ultra DMA timing meets Mode 0,1,2,3 4, and 5 of the Ultra DMA Protocol.

6.2.4.1 Initiating Read DMA

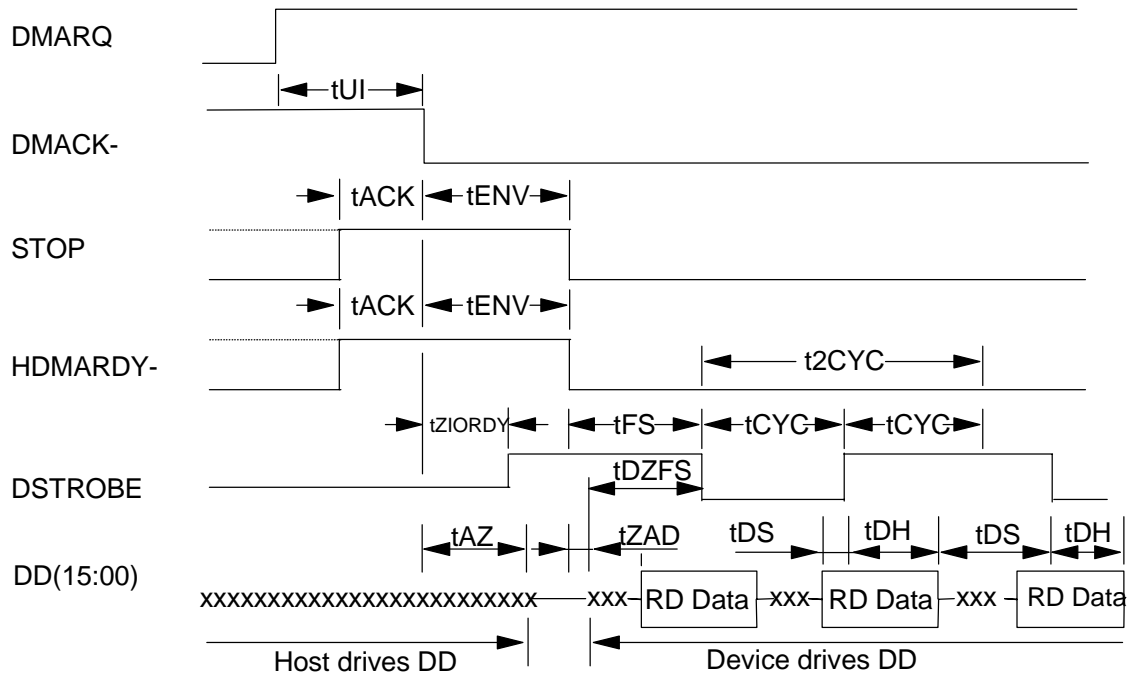


Figure 27. Ultra DMA cycle timing chart (Initiating Read)

	PARAMETER DESCRIPTION (all values in ns)	MODE0		MODE1		MODE2		MODE3		MODE4		MODE5	
		MIN	MAX	MIN	MAX	MIN	MAX	MIN	MAX	MIN	MAX	MIN	MAX
tUI	Unlimited interlock time	0	-	0	-	0	0	0	-	0	-	0	-
tACK	Setup time before -DMACK	20	-	20	-	20	-	20	-	20	-	20	-
tENV	Envelope time	20	70	20	70	20	70	20	55	20	55	20	50
tZIORDY	Minimum time before driving IORDY	0	-	0	-	0	-	0	-	0	-	0	-
tFS	First DSTROBE time	0	230	0	200	0	170	0	130	0	120	0	90
tCYC	Cycle time	112	-	73	-	54	-	39	-	25	-	17	-
t2CYC	Two cycle time	230	-	153	-	115	-	86	-	57	-	38	-
tAZ	Maximum time allowed for output drivers to release	-	10	-	10	-	10	-	10	-	10	-	10
tZAD	Maximum time allowed for output drivers to assert	0	-	0	-	0	-	0	-	0	-	0	-
tDS	Data setup time (at host)	15	-	10	-	7	-	7	-	5	-	4	-
tDH	Data hold time (at host)	5	-	5	-	5	-	5	-	5	-	4.6	-
tDZFS	Time from data output released-to-driving until the first transition of critical timing	70	-	48	-	31	-	20	-	6.7	-	25	-

Figure 28. Ultra DMA cycle timings (Initiating Read)

6.2.4.2 Host Pausing Read DMA

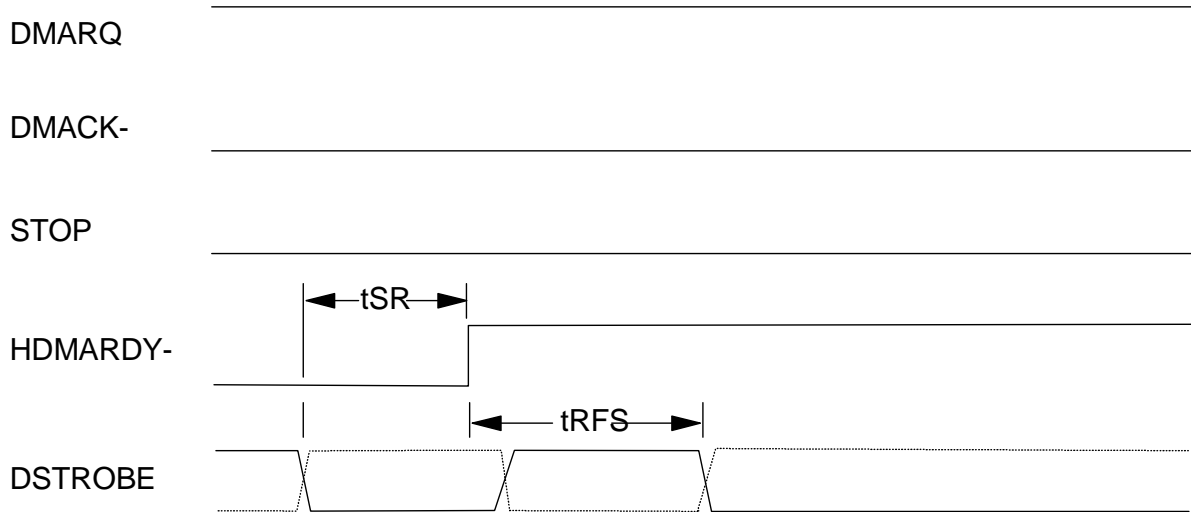


Figure 29. Ultra DMA cycle timing chart (Host pausing Read)

	PARAMETER DESCRIPTION (all values in ns)	MODE0		MODE1		MODE2		MODE3		MODE4		MODE5	
		MIN	MAX	MIN	MAX	MIN	MAX	MIN	MAX	MIN	MAX	MIN	MAX
tSR	DSTROBE to HDMARDY- time	-	50	-	30	-	20	-	-	-	-	-	-
tRFS	HDMARDY- to final DSTROBE time	-	75	-	70	-	60	-	60	-	60	-	50

Note: When a host does not satisfy tSR timing, it should be ready to receive two more data words after HDMARDY- is negated.

Figure 30. Ultra DMA cycle timings (Host pausing Read)

6.2.4.3 Host Terminating Read DMA

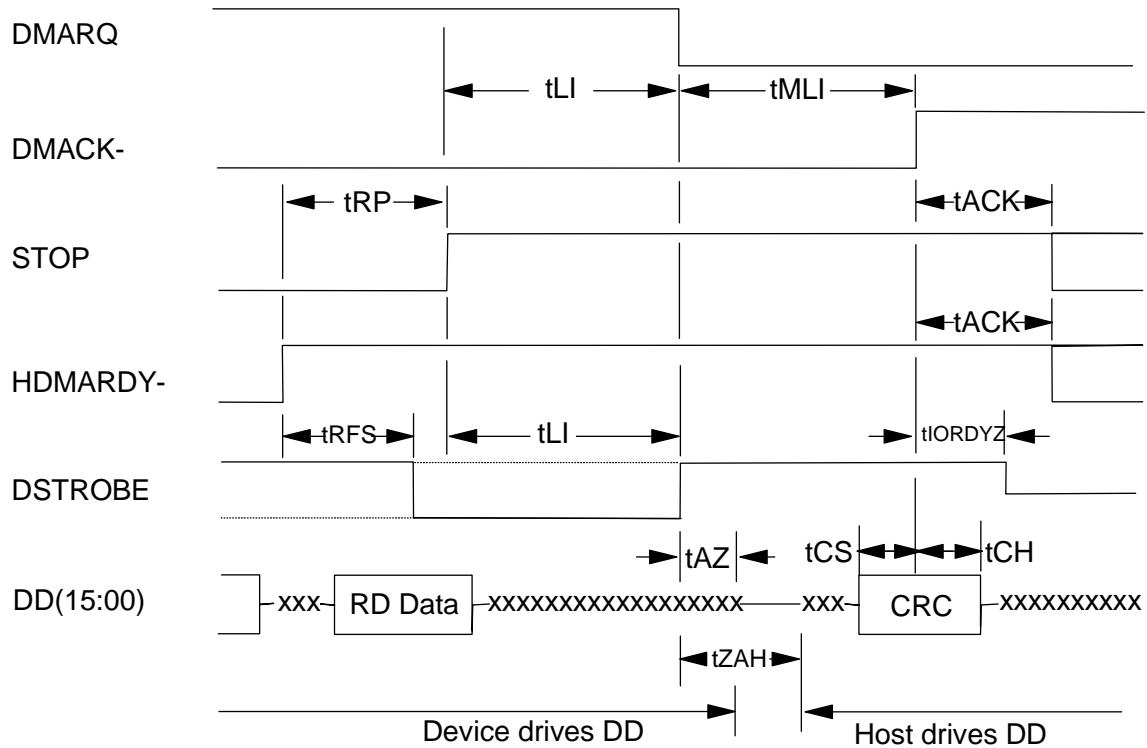


Figure 31. Ultra DMA cycle timing chart (Host terminating Read)

	PARAMETER DESCRIPTION (all values in ns)	MODE0		MODE1		MODE2		MODE3		MODE4		MODE5	
		MIN	MAX	MIN	MAX	MIN	MAX	MIN	MAX	MIN	MAX	MIN	MAX
t_{RFS}	HDMARDY- to final DSTROBE time	-	75	-	70	-	60	-	60	-	60	-	50
t_{RP}	Ready to pause time	160	-	125	-	100	-	100	-	100	-	85	-
t_{LI}	Limited interlock time	0	150	0	150	0	150	0	100	0	100	0	75
t_{AZ}	Maximum time allowed for output drivers to release	-	10	-	10	-	10	-	10	-	10	-	10
t_{ZAH}	Minimum delay time required for output	20	-	20	-	20	-	20	-	20	-	20	-
t_{MLI}	Interlocking time with minimum	20	-	20	-	20	-	20	-	20	-	20	-
t_{CS}	CRC word setup time (at device side)	15	-	10	-	7	-	7	-	5	-	5	-
t_{CH}	CRC word hold time (at device side)	5	-	5	-	5	-	5	-	5	-	5	-
t_{ACK}	Hold time for DMACK -	20	-	20	-	20	-	20	-	20	-	20	-
t_{IORDYZ}	Maximum time before releasing IORDY	-	20	-	20	-	20	-	20	-	20	-	20

Figure 32. Ultra DMA cycle timings (Host terminating Read)

6.2.4.4 Device Terminating Read DMA

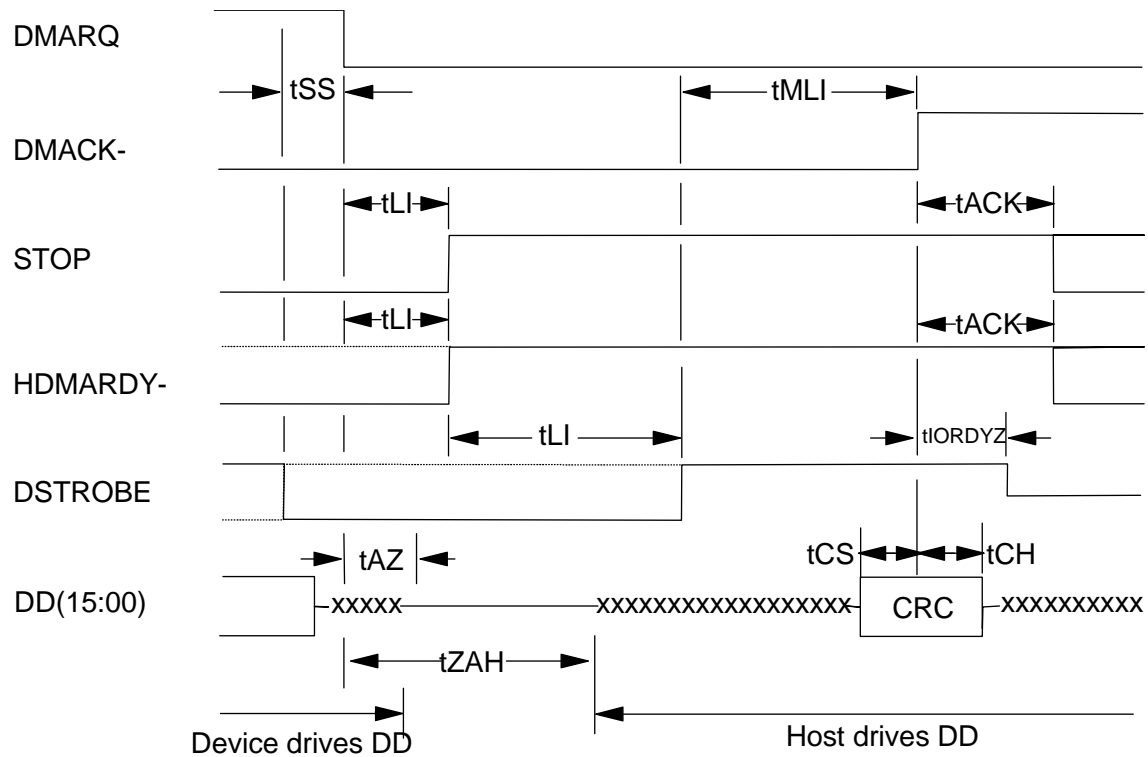


Figure 33. Ultra DMA cycle timing chart (Device terminating Read)

	PARAMETER DESCRIPTION (all values in ns)	MODE0		MODE1		MODE2		MODE3		MODE4		MODE5	
		MIN	MAX	MIN	MAX	MIN	MAX	MIN	MAX	MIN	MAX	MIN	MAX
tSS	Time from DSTROBE edge to negation of DMARQ	50	–	50	–	50	–	50	–	50	–	50	–
tLI	Limited interlock time	0	150	0	150	0	150	0	100	0	100	0	75
tAZ	Maximum time allowed for output drivers to release	–	10	–	10	–	10	–	10	–	10	–	10
tZAH	Minimum delay time required for output	20	–	20	–	20	–	20	–	20	–	20	–
tMLI	Interlock time with minimum	20	–	20	–	20	–	20	–	20	–	20	–
tCS	CRC word setup time (at device side)	15	–	10	–	7	–	7	–	5	–	5	–
tCH	CRC word hold time (at device side)	5	–	5	–	5	–	5	–	5	–	5	–
tACK	Hold time after DMACK–	20	–	20	–	20	–	20	–	20	–	20	–
tIORDYZ	Maximum time before releasing IORDY	–	20	–	20	–	20	–	20	–	20	–	20

Figure 34. Ultra DMA cycle timings (Device Terminating Read)

6.2.4.5 Initiating Write DMA

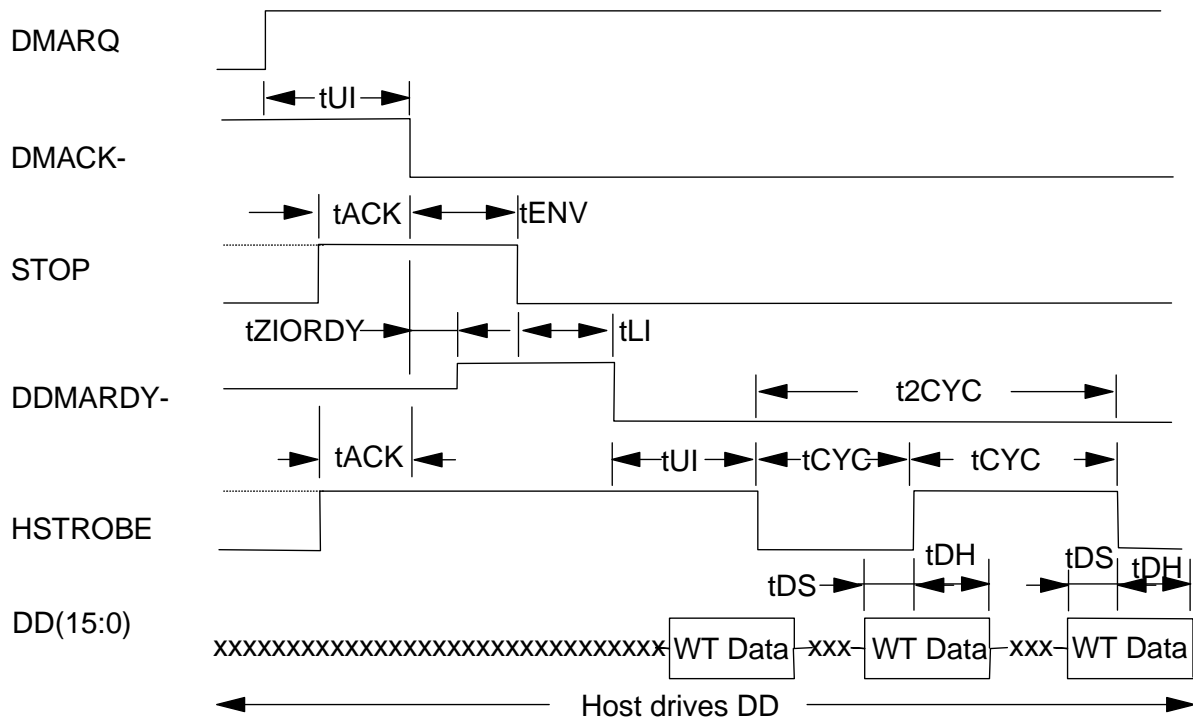


Figure 35. Ultra DMA cycle timing chart (Initiating Write)

	PARAMETER DESCRIPTION (all values in ns)	MODE0		MODE1		MODE2		MODE3		MODE4		MODE5	
		MIN	MAX	MIN	MAX	MIN	MAX	MIN	MAX	MIN	MAX	MIN	MAX
tUI	Unlimited interlock time	0	-	0	-	0	-	0	-	0	-	0	-
tACK	Setup time before DMACK-	20	-	20	-	20	-	20	-	20	-	20	-
tENV	Envelope time	20	70	20	70	20	70	20	55	20	55	20	50
tZIORDY	Minimum time before driving IORDY	0	-	0	-	0	-	0	-	0	-	0	-
tLI	Limited interlock time	0	150	0	150	0	150	0	100	0	100	0	75
tCYC	Cycle time	112	-	73	-	54	-	39	-	25	-	16.8	-
t2CYC	Two Cycle time	230	-	154	-	115	-	86	-	57	-	38	-
tDS	Data setup time (at device side)	15	-	10	-	7	-	7	-	5	-	4	-
tDH	Data hold time (at device side)	5	-	5	-	5	-	5	-	5	-	4.6	-

Figure 36. Ultra DMA cycle timings (Initiating Write)

6.2.4.6 Device Pausing Write DMA

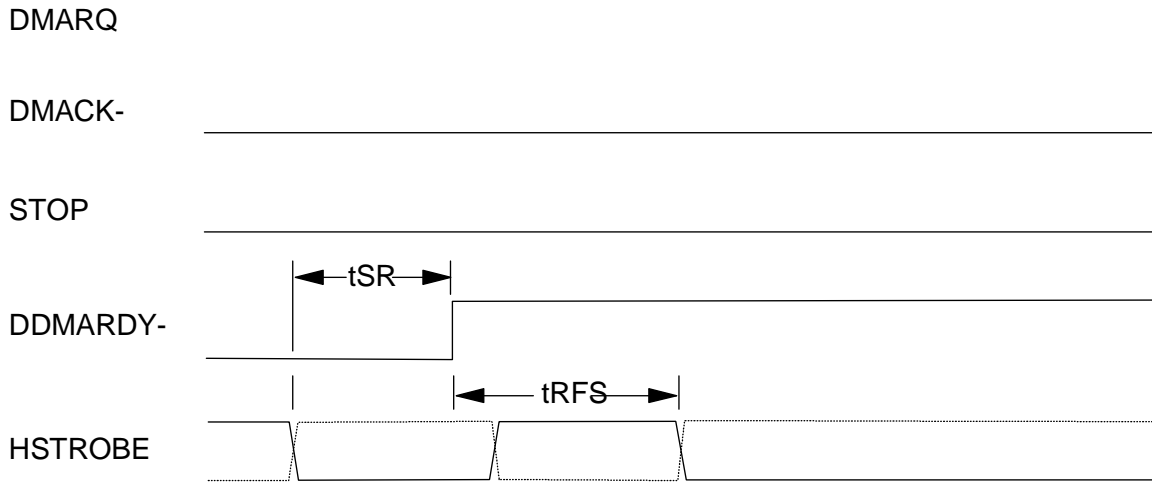


Figure 37. Ultra DMA cycle timing chart (Device Pausing Write)

	PARAMETER DESCRIPTION (all values in ns)	MODE0		MODE1		MODE2		MODE3		MODE4		MODE5	
		MIN	MAX	MIN	MAX	MIN	MAX	MIN	MAX	MIN	MAX	MIN	MAX
tSR	HSTROBE to DDMARDY- response time	-	50	-	30	-	20	-	-	-	-	-	-
tRFS	DDMARDY- to final HSTROBE time	-	75	-	70	-	60	-	60	-	60	-	50

Note: When a device does not satisfy the tSR timing, it shall be ready to receive two more strobes after DDMARDY- is negated.

Figure 38. Ultra DMA cycle timings (Device Pausing Write)

6.2.4.7 Device Terminating Write DMA

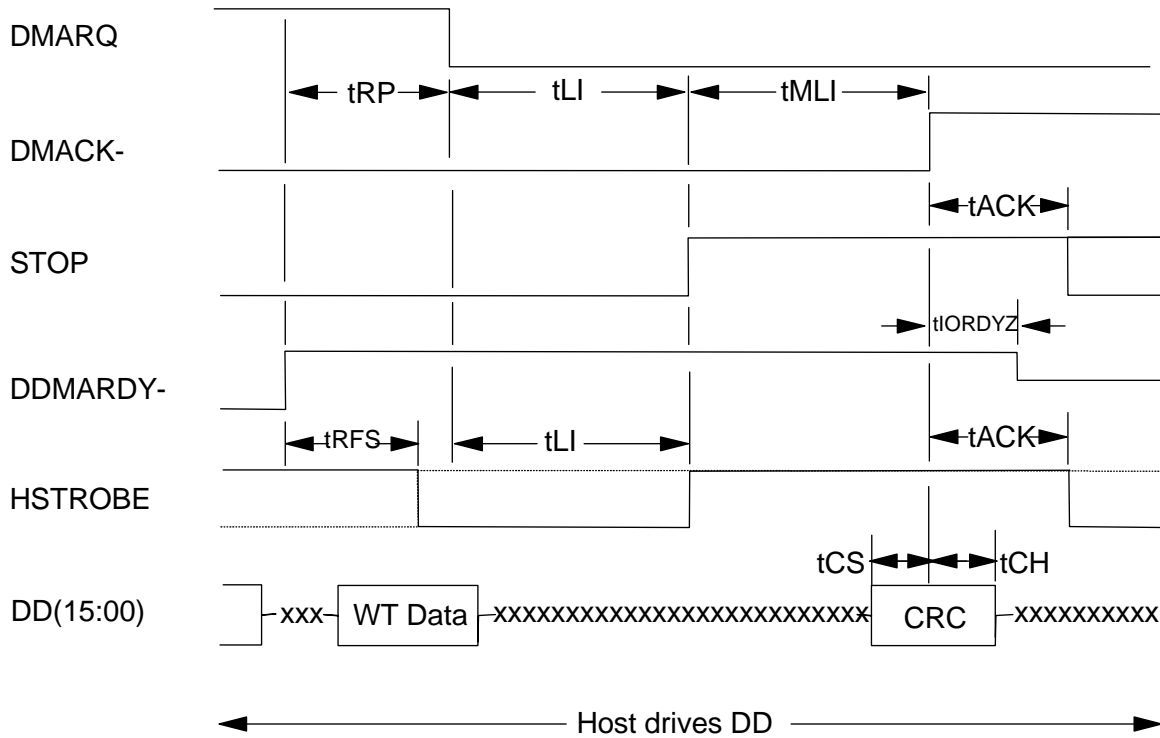


Figure 39. Ultra DMA cycle timing chart (Device Terminating Write)

	PARAMETER DESCRIPTION (all values in ns)	MODE0		MODE1		MODE2		MODE3		MODE4		MODE5	
		MIN	MAX	MIN	MAX	MIN	MAX	MIN	MAX	MIN	MAX	MIN	MAX
tRFS	DDMARDY to final HSTROBE time	-	75	-	70	-	60	-	60	-	60	-	50
tRP	Ready to pause time	160	-	125	-	100	-	100	-	100	-	85	-
tLI	Limited interlock time	0	150	0	150	0	150	0	100	0	100	0	75
tMLI	Interlock time with minimum	20	-	20	-	20	-	20	-	20	-	20	-
tCS	CRC word setup time (at device side)	15	-	10	-	7	-	7	-	5	-	5	-
tCH	CRC word hold time (at device side)	5	-	5	-	5	-	5	-	5	-	5	-
tACK	Hold time for -DMACK	20	-	20	-	20	-	20	-	20	-	20	-
tIORDYZ	Maximum time before releasing IORDY	-	20	-	20	-	20	-	20	-	20	-	20

Figure 40. Ultra DMA cycle timings (Device terminating Write)

6.2.4.8 Host Terminating Write DMA

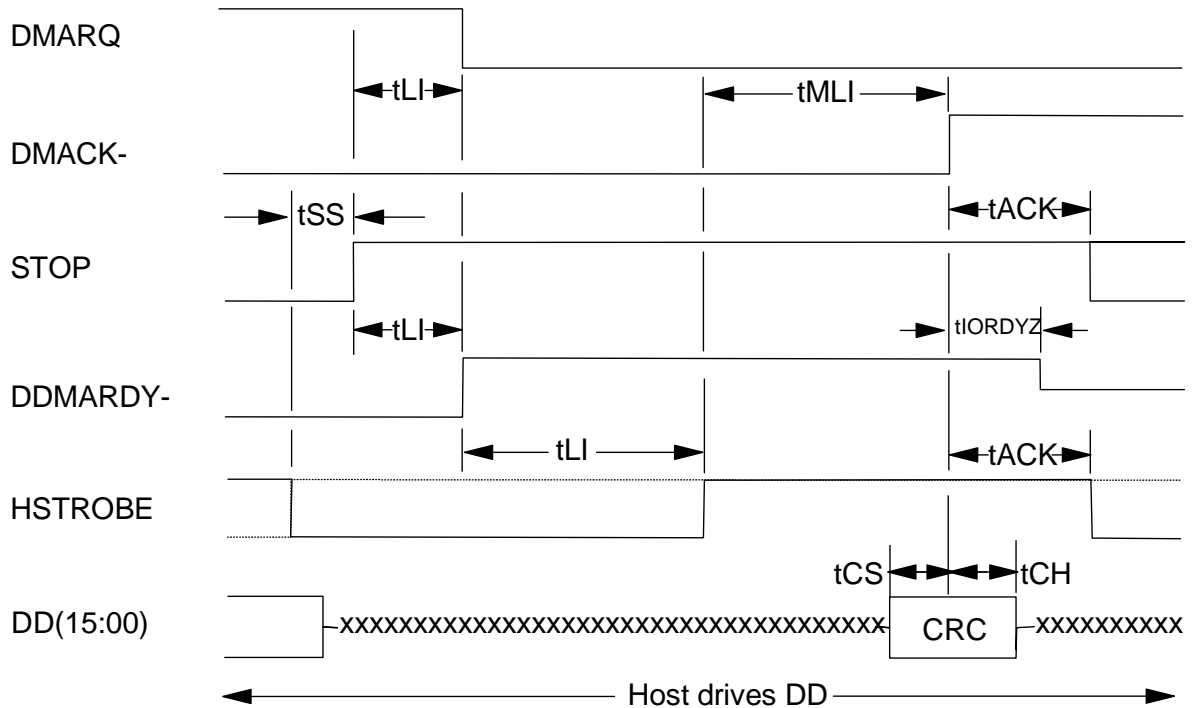


Figure 41. Ultra DMA cycle timing chart (Host Terminating Write)

	PARAMETER DESCRIPTION (all values in ns)	MODE0		MODE1		MODE2		MODE3		MODE4		MODE5	
		MIN	MAX	MIN	MAX	MIN	MAX	MIN	MAX	MIN	MAX	MIN	MAX
tSS	Time from HSTROBE to edge assertion of STOP	50	–	50	–	50	–	50	–	50	–	50	–
tLI	Limited interlock time	0	150	0	150	0	150	0	100	0	100	0	75
tMLI	Interlock time with minimum	20	–	20	–	20	–	20	–	20	–	20	–
tCS	CRC word setup time (at device side)	15	–	10	–	7	–	7	–	5	–	5	–
tCH	CRC word hold time (at device side)	5	–	5	–	5	–	5	–	5	–	5	–
tACK	Hold time for DMACK–	20	–	20	–	20	–	20	–	20	–	20	–
tIORDYZ	Maximum time before releasing IORDY	–	20	–	20	–	20	–	20	–	20	–	20

Figure 42. Ultra DMA cycle timings (Host Terminating Write)

6.2.5 Addressing of registers

The host addresses the drive through a set of registers called the Task File. These registers are mapped into the I/O space of the host. Two chip select lines (CS0– and CS1–) and three address lines (DA0-02) are used to select one of these registers, while a DIOR– or DIOW– is provided at the specified time.

The CS0– is used to address Command Block registers. while the CS1– is used to address Control Block registers.

The following table shows the I/O address map.

CS0–	CS1–	DA2	DA1	DA0	DIOR– = 0 (Read)	DIOW– = 0 (Write)
					Command Block Registers	
0	1	0	0	0	Data Reg.	Data Reg.
0	1	0	0	1	Error Reg.	Features Reg.
0	1	0	1	0	Sector count Reg.	Sector count Reg.
0	1	0	1	1	Sector number Reg.	Sector number Reg.
0	1	1	0	0	Cylinder low Reg.	Cylinder low Reg.
0	1	1	0	1	Cylinder high Reg.	Cylinder high Reg.
0	1	1	1	0	Drive/Head Reg.	Drive/Head Reg.
0	1	1	1	1	Status Reg.	Command Reg.
					Control Block Registers	
1	0	1	1	0	Alt. Status Reg.	Device control Reg.

Figure 43. I/O address map

Note: "Addr" field is shown as an example.

During DMA operation (from writing to the command register until an interrupt) not all registers are accessible. For example, the host is not supposed to read status register contents before interrupt (the value is invalid).

6.2.6 Cabling

The maximum cable length from the host system to the drive plus circuit pattern length in the host system shall not exceed 18 inches.

For higher data transfer application (>8.3 MB/s) a modification in the system design is recommended to reduce cable noise and cross-talk, such as a shorter cable, bus termination, or a shielded cable.

For systems operating with Ultra DMA mode 3, 4, and 5, 80-conductor ATA cable assembly (SFF-8049) shall be used.

6.3 Jumper settings

6.3.1 Jumper pin location

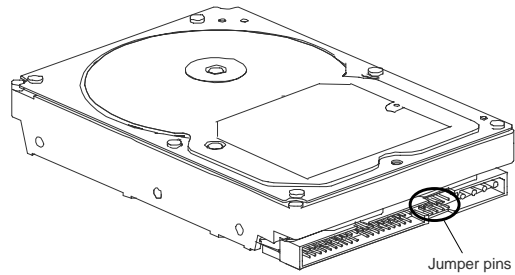


Figure 44. Jumper pin location (2 and 3 disk model shown)

6.3.2 Jumper pin identification

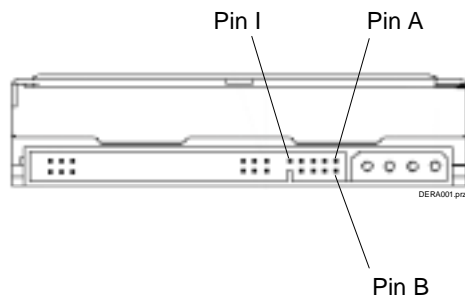


Figure 45. Jumper pin identification (2 and 3 disk model shown)

6.3.3 Jumper pin assignment

There are four jumper settings as shown in the following sections:

- 16 logical head default (normal use)
- 15 logical head default
- 2 GB/32 GB clip
- Power up in standby

Within each of these four jumper settings the pin assignment selects *Device 0*, *Device 1*, *Cable Selection*, or *Device 1 Slave Present* as shown in the following figures.

The Device 0 setting automatically recognizes device 1 if it is present.

The Device 1 Slave Present setting is for a slave device that does not comply with the ATA specification.

Note: In conventional terminology "Device 0" designates a *Master* and "Device 1" designates a *Slave*.

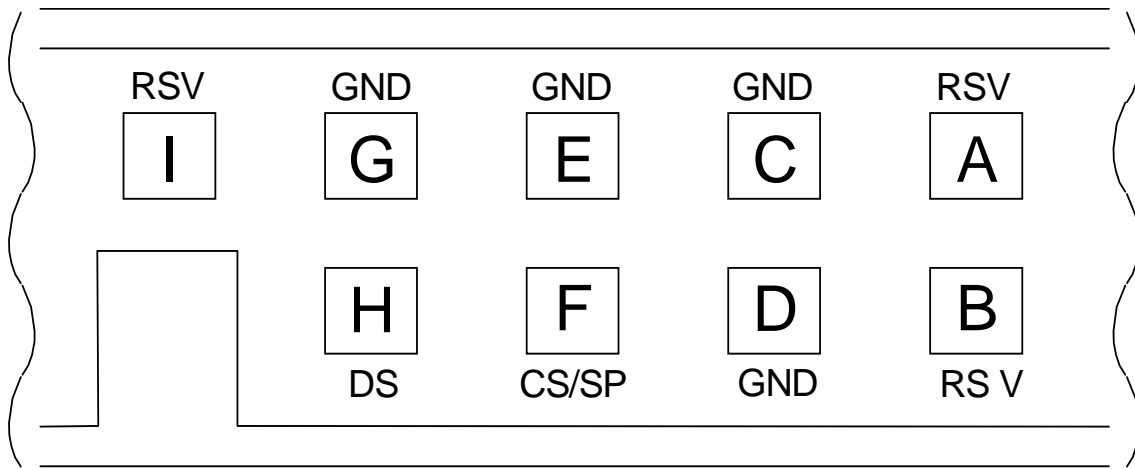


Figure 46. Jumper pin assignment

6.3.4 Jumper positions

6.3.4.1 16 logical head default (normal use)

The figure below shows the jumper positions used to select Device 0, Device 1, Cable Selection, or Device 1 (Slave) Present.

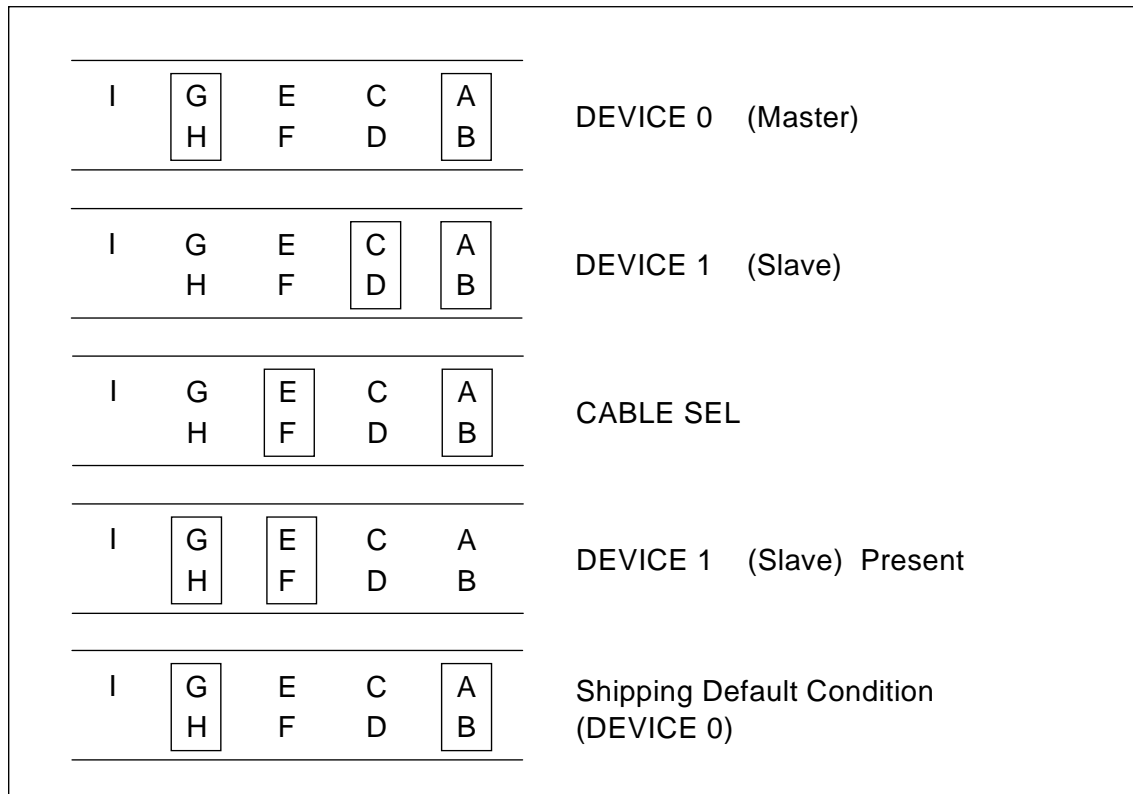


Figure 47. Jumper positions for normal use

Notes:

1. To enable the CSEL mode (Cable Selection mode) the jumper block must be installed at E-F. In the CSEL mode the drive address is determined by AT interface signal #28 CSEL as follows:
 - When CSEL is grounded or at a low level, the drive address is 0 (Device 0).
 - When CSEL is open or at a high level, the drive address is 1 (Device 1).
2. In CSEL mode, installing or removing the jumper blocks at A-B or C-D position does not affect any selection of Device or Cable Selection mode.
3. The shipping default position is the Device 0 position.

6.3.4.2 15 logical head default

The figure below shows the jumper positions used to select Device 0, Device 1, Cable Selection, or Device 1 (Slave) Present setting 15 logical heads instead of default 16 logical head models.

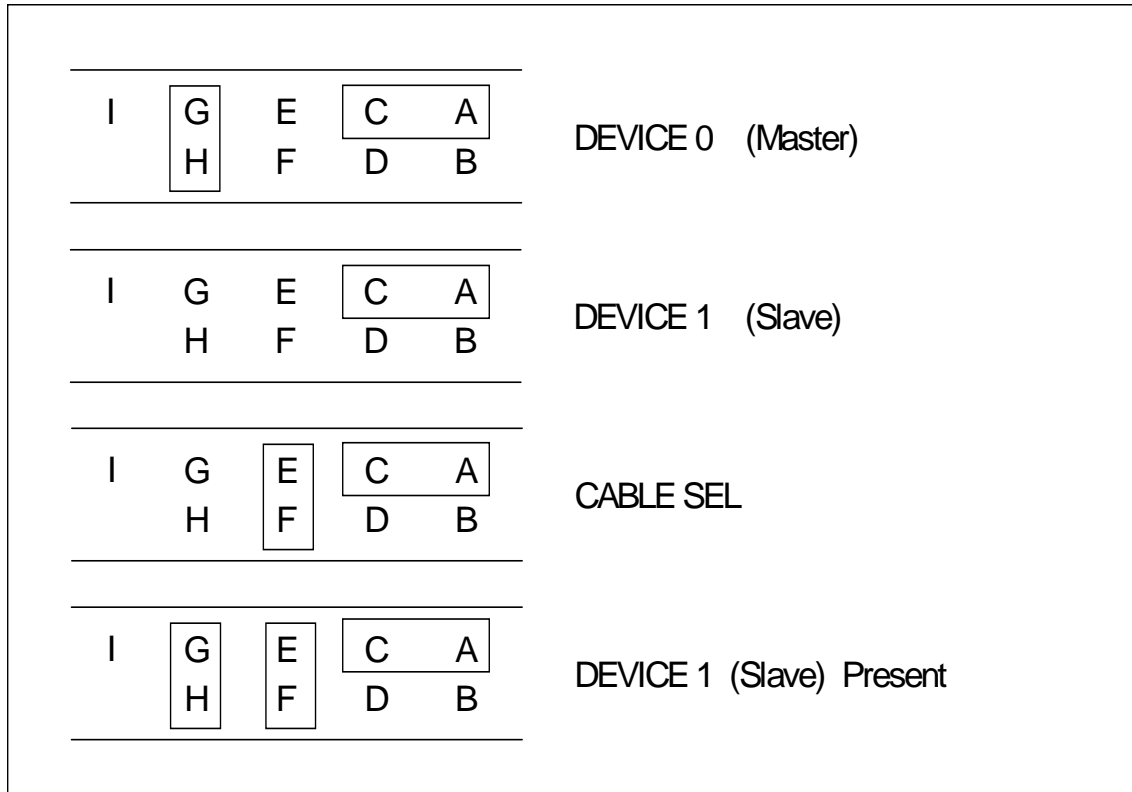


Figure 48. Jumper positions for 15 logical head default

Notes:

1. To enable the CSEL mode (Cable Selection mode) the jumper block must be installed at E-F. In the CSEL mode, the drive address is determined by AT interface signal #28 CSEL as follows:
 - When CSEL is grounded or at a low level, the drive address is 0 (Device 0).
 - When CSEL is open or at a high level, the drive address is 1 (Device 1).
2. In CSEL mode, installing or removing the jumper blocks at A-C or B-D position does not affect any selection of Device or Cable Selection mode.

6.3.4.3 Capacity clip to 2GB/32GB

The figure below shows the jumper positions used to select Device 0, Device 1, Cable Selection, or Device 1 (Slave) Present while setting the drive capacity down either to 2GB or 32GB for the purpose of compatibility.

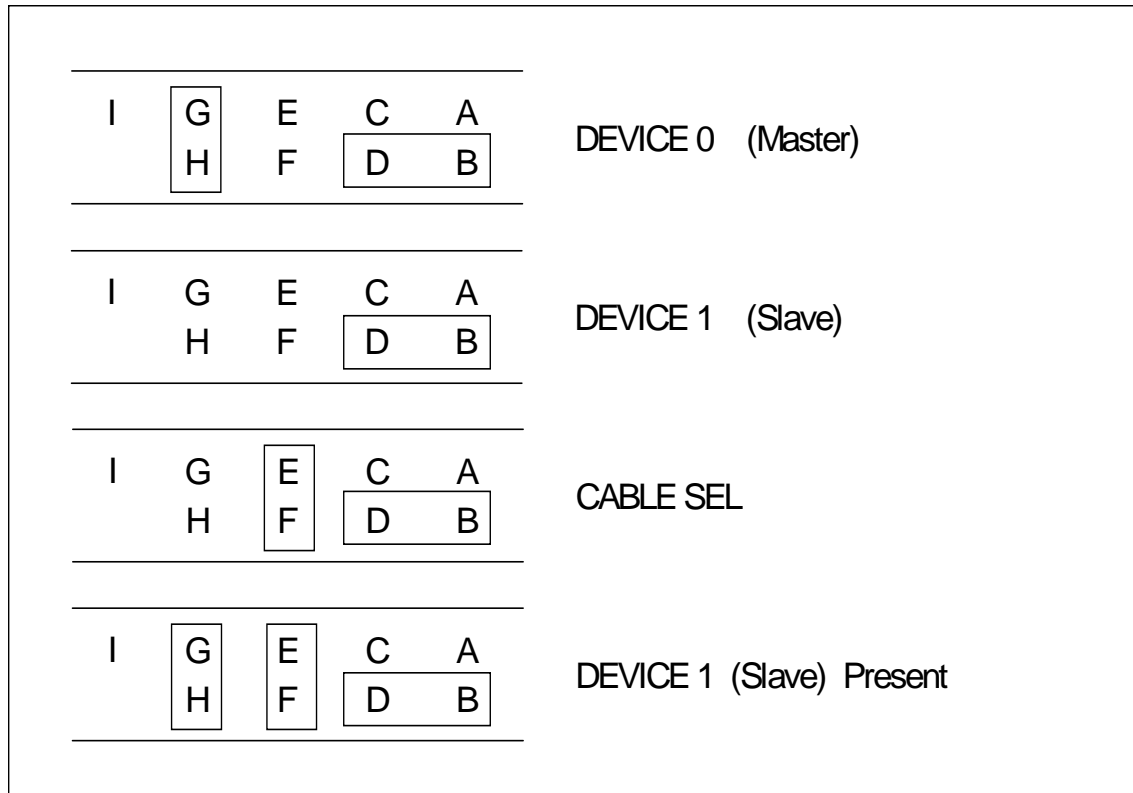


Figure 49. Jumper positions for capacity clip to 2GB/32GB

Notes:

For the 20-GB model (factory default capacities less than 32GB):

The jumper setting acts as a 2GB clip which clips the CHS to 4096/16/63. The LBA is unchanged from the factory default setting (dependent on the particular model).

For all other models (factory default capacities greater than 32GB):

The jumper setting acts as a 32GB clip which clips the LBA to 66055248. The CHS is unchanged from the factory default of 16383/16/63.

6.3.4.4 Power Up In Standby

The figure below shows the jumper positions used to select Device 0, Device 1, Cable Selection, or Device 1 (Slave) Present to enable Power Up In Standby.

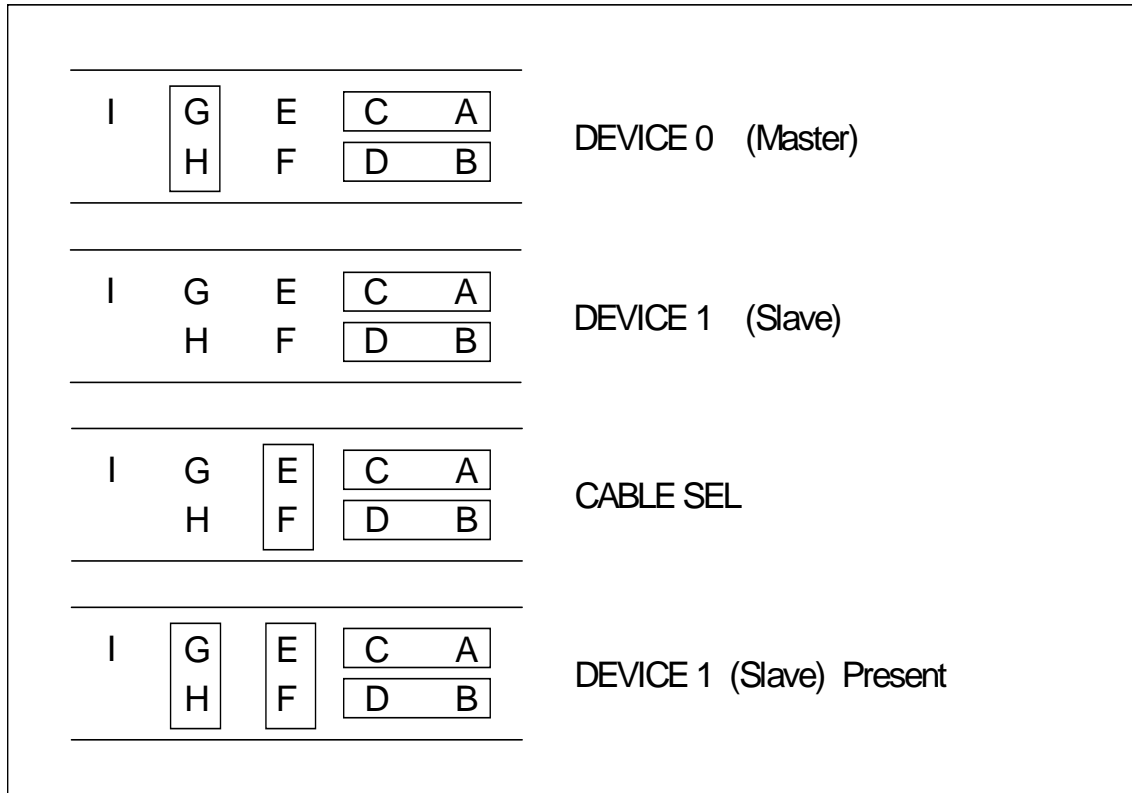


Figure 50. Jumper settings for Disabling Auto Spin

Notes:

1. These jumper settings are used for limiting power supply current when multiple drives are used.
2. Command to spin up is SET FEATURES (subcommand 07h). Refer to 12.28 Set Features.
3. To enable the CSEL mode (Cable Selection mode) the jumper block must be installed at E-F. In CSEL mode, the drive address is determined by AT interface signal #28 as follows:
 - When CSEL is grounded or at a low level, the drive address is 0 (Device 0).
 - When CSEL is open or at a high level, the drive address is 1 (Device 1).

6.4 Environment

6.4.1 Temperature and humidity

Operating conditions	
Temperature	5 to 55°C
Relative humidity	8 to 90% non-condensing
Maximum wet bulb temperature	29.4°C non-condensing
Maximum temperature gradient	15°C/Hour
Altitude	-300 to 3,048 m
Non operating conditions	
Temperature	-40 to 65°C
Relative humidity	5 to 95% non-condensing
Maximum wet bulb temperature	35°C non-condensing
Altitude	-300 to 12,000 m

Figure 51. Temperature and humidity

Notes:

- 1. The system is responsible for providing sufficient ventilation to maintain a surface temperature below 60°C at the center of the top cover of the drive.*
- 2. Non condensing conditions should be maintained at any time.*
- 3. Maximum storage period within shipping package is one year,*

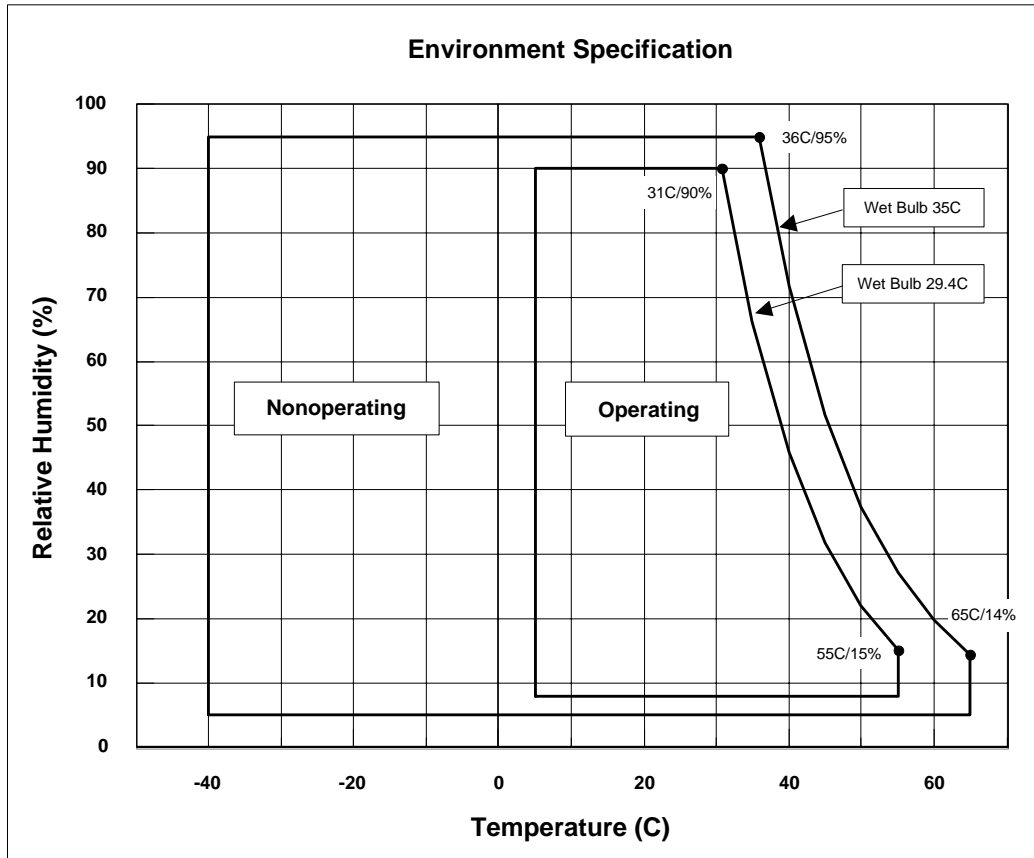


Figure 52. Limits of temperature and humidity

Note: Storage temperature range is 0° to 65°.

6.4.2 Corrosion test

The drive shows no sign of corrosion inside and outside of the hard disk assembly and is functional after being subjected to seven days at 50°C with 90% relative humidity.

6.5 DC power requirements

The following voltage specifications apply at the power connector of the drive. Damage to the drive electronics may result if the power supply cable is connected or disconnected while power is being applied to the drive (no hot plug/unplug is allowed). Connections to the drive should be made in a low voltage, isolated secondary circuit (SELV). There is no special power on/off sequencing required.

6.5.1 Input voltage

Input voltage	During run and spin up	Absolute max spike voltage ¹
+5 Volts Supply	5V ± 5%	-0.3 to 7V
+12 Volts Supply	12V +10% -8%	-0.3 to 15V

Figure 53. Input voltage

Note: To avoid damage to the drive electronics, power supply voltage spikes must not exceed specifications.

6.5.2 Power supply current (typical)

Power supply current of 120 GB and 100 GB models (values in milliamps. RMS)	+5 Volts [mA]		+12 Volts [mA]		Total [W]
	Pop Mean	Std Dev	Pop Mean	Std Dev	
Idle average	310	5	390	46	6.2
Idle ripple (peak-to-peak)	370	26	370	30	
Low RPM idle	160	5	220	26	3.4
Low RPM idle ripple	50	6	230	23	
Unload idle average	160	5	280	34	4.2
Unload idle ripple	50	6	240	27	
Seek average ¹	380	6	470	42	7.5
Seek peak	600	19	820	46	
Random R/W average ²	470	10	590	42	9.4
Random R/W peak	790	22	1800	110	
Silent R/W average	470	10	470	36	8.0
Silent R/W peak	790	22	820	46	
Start up (max)	740	20	1867	86	
Standby average	160	3	15	1	1.0
Sleep average	150	3	15	1	0.9

Figure 54. Power supply current of 120 GB and 100 GB models

Except for a peak of less than 100 μs duration

¹ Random seeks at 40% duty cycle

² Seek duty = 30%, W/R duty = 45%, Idle Duty = 25%

Power supply current of 80 GB and 60 GB models (values in milliamps. RMS)	+5 Volts [mA]		+12 Volts [mA]		Total [W]
	Pop Mean	Std Dev	Pop Mean	Std Dev	
Idle average	310	9	320	33	5.4
Idle ripple (peak-to-peak)	370	15	320	33	
Low RPM Idle	150	4	170	20	2.8
Low RPM Idle Ripple	50	4	230	29	
Unload Idle average	150	4	260	29	3.9
Unload Idle Ripple	45	4	230	22	
Seek average ¹	380	10	400	31	6.7
Seek peak	600	20	740	42	
Random R/W average ²	470	12	540	28	8.8
Random R/W peak	790	18	1700	130	
Silent R/W average	470	13	410	28	7.3
Silent R/W peak	790	18	740	42	
Start up (max)	740	21	1800	98	
Standby average	160	4	15	1	1.0
Sleep average	150	4	15	1	0.9

Figure 55. Power supply current of 80 GB and 60 GB models

Power supply current of 40 GB and 20 GB models (values in milliamps. RMS)	+5 Volts [mA]		+12 Volts [mA]		Total [W]
	Pop Mean	Std Dev	Pop Mean	Std Dev	
Idle average	303	3	270	16	4.8
Idle ripple (peak-to-peak)	273	15	312	30	
Low RPM idle	156	3	140	7	2.5
Low RPM idle ripple	49	6	333	45	
Unload idle average	157	2	220	19	3.4
Unload idle ripple	49	6	216	24	
Seek average ¹	364	4	336	14	5.9
Seek peak	550	0	705	6	
Random R/W average ²	454	12	488	33	8.1
Random R/W peak	738	43	1520	29	
Silent R/W average	459	12	350	31	6.5
Silent R/W peak	738	43	705	6	
Start up (max)	713	25	1700	15	
Standby average	156	3	15	1	1.0
Sleep average	139	6	15	1	0.9

Figure 56. Power supply current of 40 GB and 20 GB models

Except for a peak of less than 100 μ s duration

¹ Random seeks at 40% duty cycle

² Seek duty = 30%, W/R duty = 45%, Idle Duty = 25%

6.5.3 Power supply generated ripple at drive power connector

	Maximum (mV pp)	MHz
+5V DC	100	0-10
+12V DC	150	0-10

Figure 57. Power supply generated ripple at drive power connector

During drive start up and seeking 12-volt ripple is generated by the drive (referred to as dynamic loading). If the power of several drives is daisy chained together, the power supply ripple plus the dynamic loading of the other drives must remain within the above regulation tolerance. A common supply with separate power leads to each drive is a more desirable method of power distribution.

To prevent external electrical noise from interfering with the performance of the drive, the drive must be held by four screws in a user system frame which has no electrical level difference at the four screws position and has less than ± 300 millivolts peak to peak level difference to the ground of the drive power connector.

6.6 Reliability

6.6.1 Data integrity

No more than one sector is lost at Power loss condition during the write operation when the write cache option is disabled. If the write cache option is active, the data in write cache will be lost. To prevent the loss of customer data, it is recommended that the last write access before power off be issued after setting the write cache off.

6.6.2 Cable noise interference

To avoid any degradation of performance throughput or error rate when the interface cable is routed on top or comes in contact with the HDA assembly, the drive must be grounded electrically to the system frame by four screws. The common mode noise or voltage level difference between the system frame and power cable ground or AT interface cable ground should be in the allowable level specified in the power requirement section.

6.6.3 Start/stop cycles

The drive withstands a minimum of 40,000 start/stop cycles in a 40° C environment and a minimum of 10,000 start/stop cycles in extreme temperature or humidity within the operating range. See Figure 51 on page 45 and Figure 52 on page 46.

6.6.4 Preventive maintenance

None

6.6.5 Data reliability

Probability of not recovering data is 1 in 10^{13} bits read

ECC On The Fly correction

- 1 Symbol : 8 bits
- 4 Interleave
- 20 ECCs are embedded into each interleave
- This implementation always recovers 5 random burst errors and a 153-bit continuous burst error

6.6.6 Required Power-Off Sequence

The required BIOS sequence for removing power from the drive is as follows:

Step 1: Issue one of the following commands.

Standby
Standby immediate
Sleep

Note: Do not use the Flush Cache command for the power off sequence because this command does not invoke Unload

Step 2: Wait until the Command Complete status is returned. In a typical case 350 ms are required for the command to finish completion; however, the BIOS time out value needs to be 30 seconds considering error recovery time. Refer to section 12.0 "Timings," on page 193.

Step 3: Terminate power to HDD.

6.7 Mechanical specifications

6.7.1 Physical dimensions

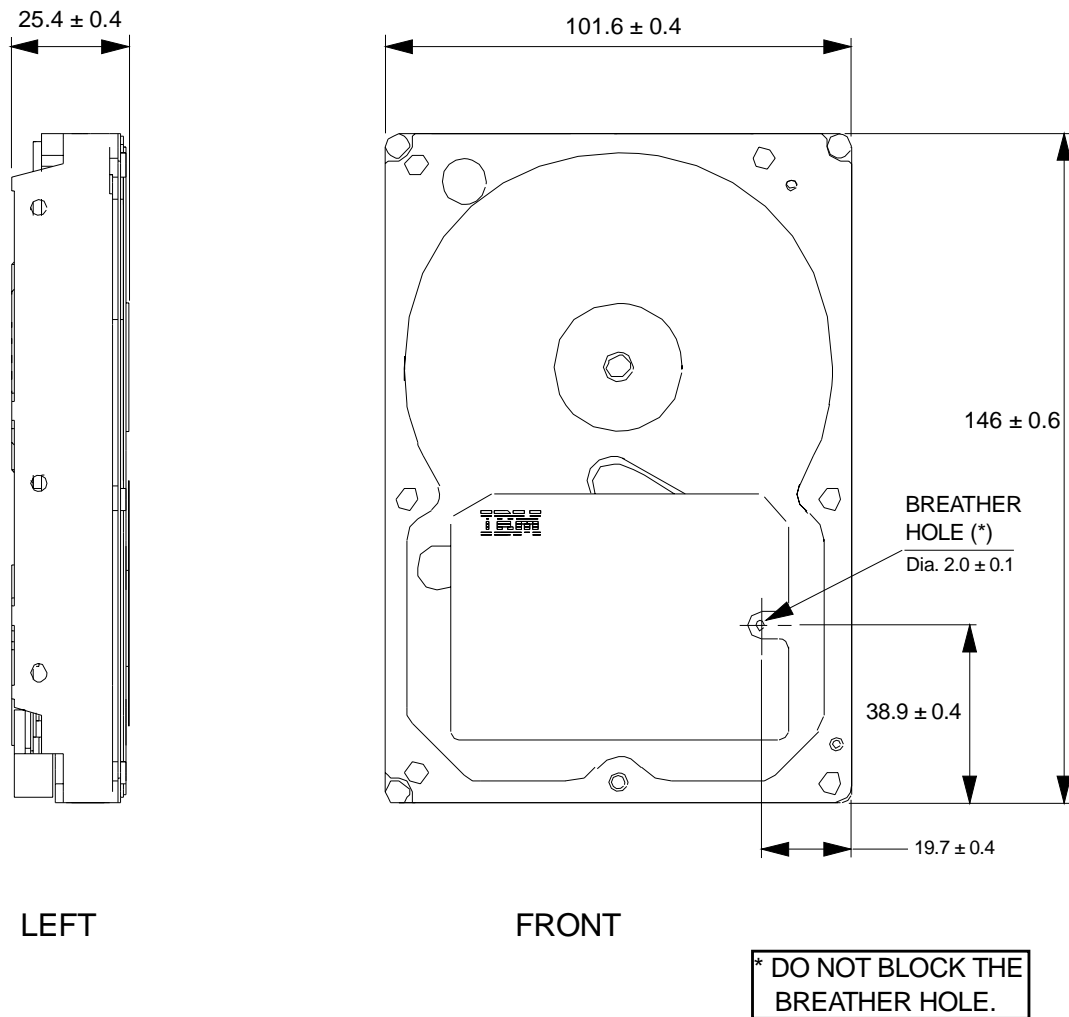


Figure 58. Top and side views of 60 GB - 120 GB models with mechanical dimensions

All dimensions are in millimeters.

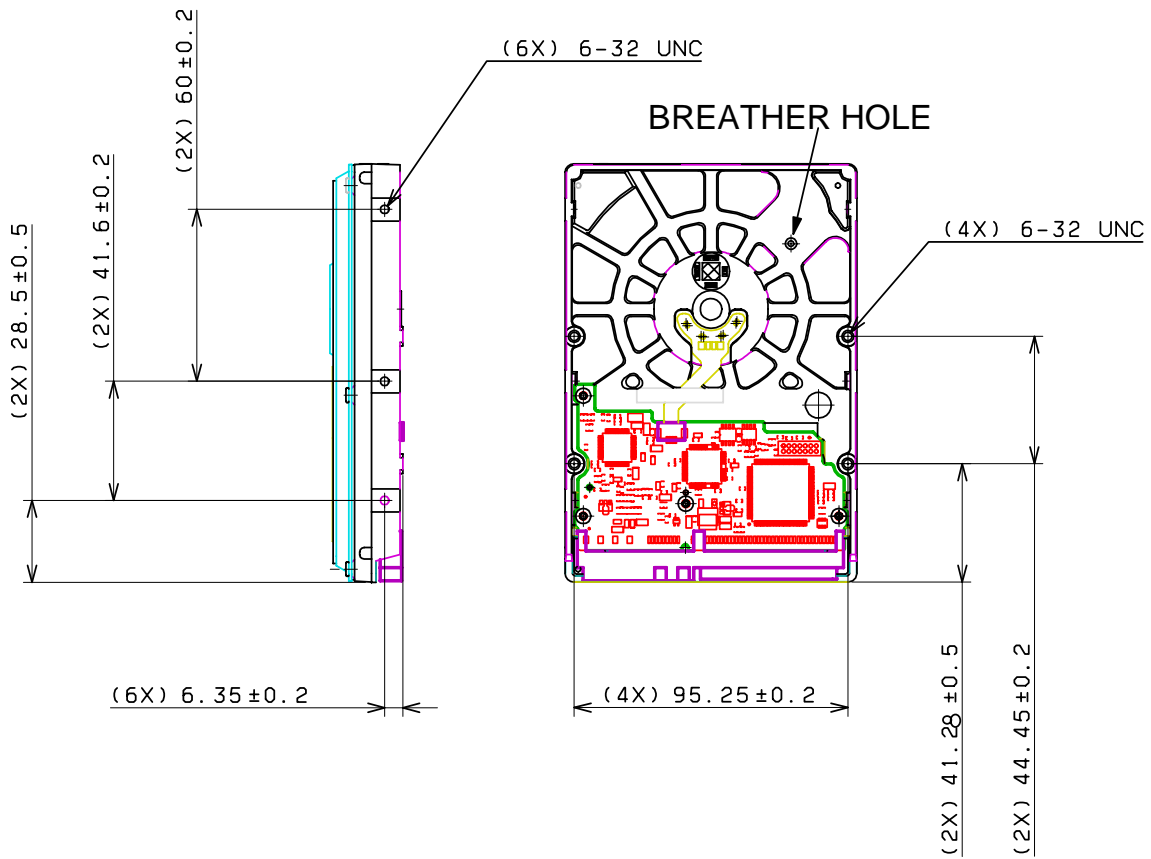


Figure 59. Bottom and side views of 20GB and 40GB models with breather hole and mounting hole locations

All dimensions in the above figure are in millimeters.

The breather hole must be kept uncovered in order to keep the air pressure inside of the disk enclosure equal to external air pressure.

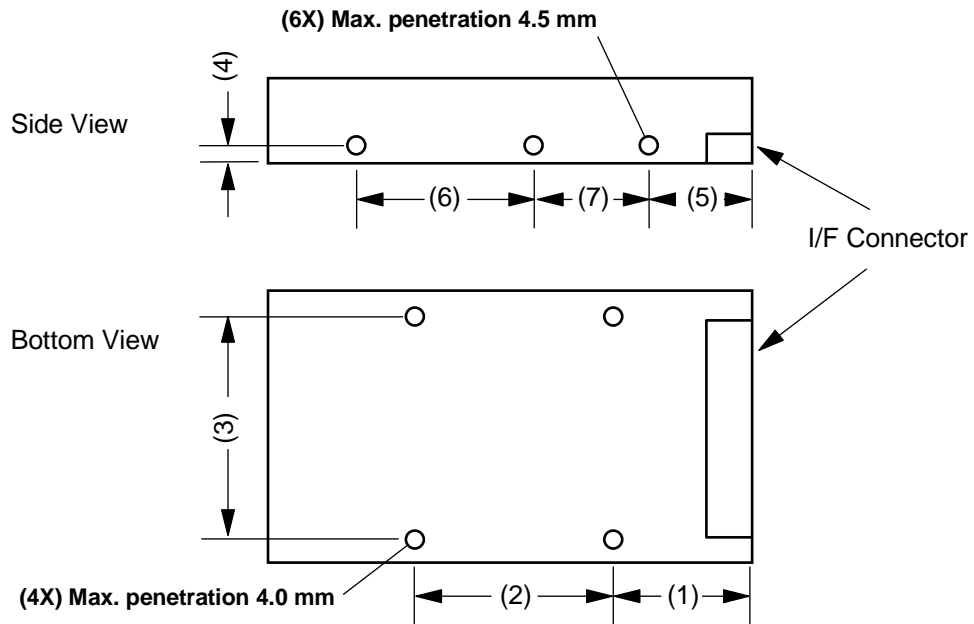
The following table shows the physical dimensions of the drive.

Height (mm)	Width (mm)	Length (mm)	Weight (grams)
25.4 ± 0.4	101.6 ± 0.4	146.0 ± 0.6	640

Figure 60. Physical Dimensions

6.7.2 Hole locations

The mounting hole location and size for the hard disk drive is shown below.



Thread	(1)	(2)	(3)	(4)	(5)	(6)	(7)
6-32 UNC	41.28±0.5	44.45±0.2	95.25±0.2	6.35±0.2	28.5±0.5	60.0±0.2	41.6±0.2

Figure 61. Mounting hole locations (all dimensions are in mm)

6.7.3 Connector locations

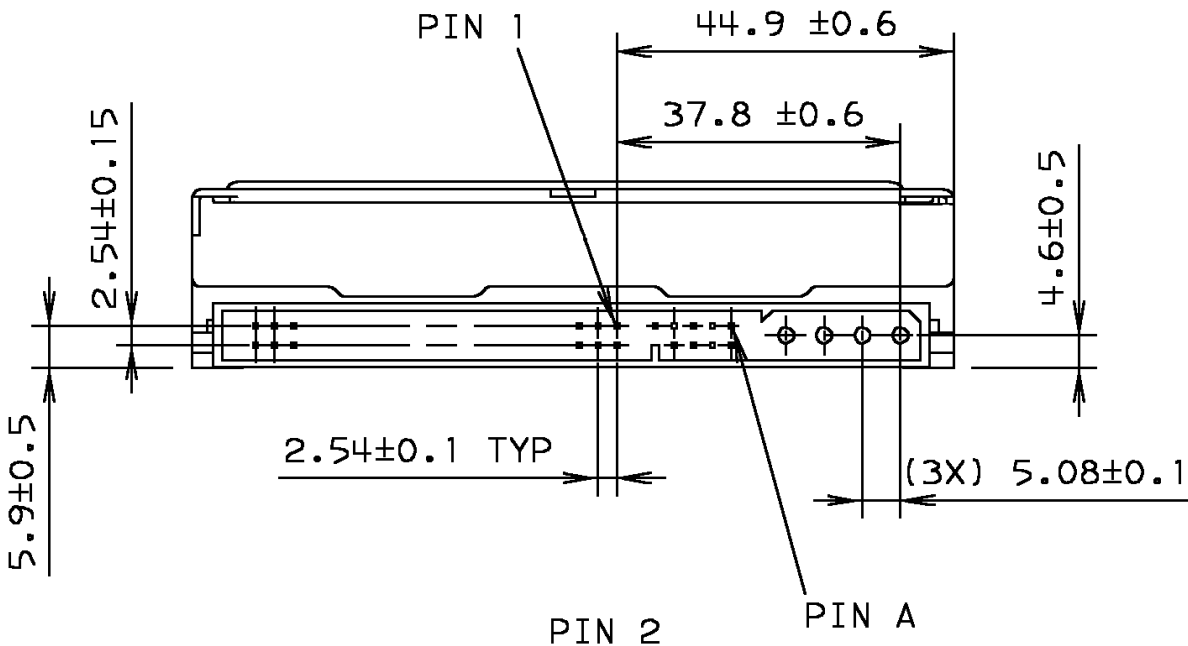


Figure 62. Connector locations

6.7.4 Drive mounting

The drive will operate in all axes (6 directions). Performance and error rate will stay within specification limits if the drive is operated in the other orientations from which it was formatted.

For reliable operation, the drive must be mounted in the system securely enough to prevent excessive motion or vibration of the drive during seek operation or spindle rotation, using appropriate screws or equivalent mounting hardware.

The recommended mounting screw torque is 0.6 - 1.0 Nm (6-10 Kgf.cm).

The recommended mounting screw depth is 4 mm maximum for bottom and 4.5 mm maximum for horizontal mounting.

Drive level vibration test and shock test are to be conducted with the drive mounted to the table using the bottom four screws.

6.7.5 Heads unload and actuator lock

Heads are moved out from disks (unload) to protect the disk data during shipping, moving, or storage. Upon power down, the heads are automatically unloaded from disk area and the locking mechanism of the head actuator will secure the heads in unload position.

6.8 Vibration and shock

All vibration and shock measurements recorded in this section are made with a drive that has no mounting attachments for the systems. The input power for the measurements is applied to the normal drive mounting points.

6.8.1 Operating vibration

6.8.1.1 Random vibration

The hard disk drive meets IBM Standard C-S 1-9711-002 (1990-03) for the V5L applied to horizontal direction and V4 applied to vertical direction. The test is 30 minutes of random vibration using the power spectral density (PSD) levels shown below in each of three mutually perpendicular axes. The disk drive will operate without non-recoverable errors when subjected to the above random vibration levels.

Direction	5 Hz	17 Hz	45 Hz	48 Hz	62 Hz	65 Hz	150 Hz	200 Hz	500 Hz	RMS (G)
Horizontal $\times 10^{-3}$ [G ² /Hz]	0.02	1.1	1.1	8.0	8.0	1.0	1.0	0.5	0.5	0.67
Vertical $\times 10^{-3}$ [G ² /Hz]	0.02	1.1	1.1	8.0	8.0	1.0	1.0	0.08	0.08	0.56

Figure 63. Random vibration PSD profile break points (operating)

The overall RMS (root mean square) level is 0.67 G for horizontal vibration and 0.56 G for vertical.

6.8.1.2 Swept sine vibration

The drive will meet the criteria shown below while operating in the specified conditions:

- No errors occur with 0.5 G 0 to peak, 5 to 300 to 5 Hz sine wave, 0.5 oct/min sweep rate with 3-minute dwells at two major resonances
- No data loss occurs with 1 G 0 to peak, 5 to 300 to 5 Hz sine wave, 0.5 oct/min sweep rate with 3-minute dwells at two major resonances

6.8.2 Nonoperating vibration

The drive does not sustain permanent damage or loss of previously recorded data after being subjected to the environment described below

6.8.2.1 Random vibration

The test consists of a random vibration applied for each of three mutually perpendicular axes with the time duration of 10 minutes per axis. The PSD levels for the test simulate the shipping and relocation environment shown below. See IBM STD C-H 1-9711-005.

The overall RMS (Root Mean Square) level of vibration is 1.04 G.

Frequency	2 Hz	4 Hz	8 Hz	40 Hz	55 Hz	70 Hz	200 Hz
G ² /Hz	0.001	0.03	0.03	0.003	0.01	0.01	0.001

Figure 64. Random vibration PSD profile break points (nonoperating)

6.8.2.2 Swept sine vibration

- 2 G (Zero to peak), 5 to 500 to 5 Hz sine wave
- 0.5 oct/min sweep rate
- 3 minutes dwell at two major resonances

6.8.3 Operating shock

The drive meets IBM Standard C-S 1-9711-007 for the S5 product classification. The drive meets the following criteria while operating in the conditions described below. The shock test consists of 10 shock inputs in each axis and direction for total of 60. There must be a delay between shock pulses long enough to allow the drive to complete all necessary error recovery procedures.

- No error occurs with a 10 G half-sine shock pulse of 11 ms duration in all models.
- No data loss occurs with a 30 G half-sine shock pulse of 4 ms duration in all models.
- No data loss occurs with a 55 G half-sine shock pulse of 2 ms duration.

6.8.4 Nonoperating shock

The drive will operate with no degradation of performance after being subjected to shock pulses with the following characteristics.

6.8.4.1 Trapezoidal shock wave

- Approximate square (trapezoidal) pulse shape
- Approximate rise and fall time of pulse is 1 ms
- Average acceleration level is 50 G. (Average response curve value during the time following the 1 ms rise time and before the 1 ms fall with a time "duration of 11 ms")
- Minimum velocity change is 4.23 meters/second

6.8.4.2 Sinusoidal shock wave

The shape is approximately half-sine pulse. The figure below shows the maximum acceleration level and duration.

Models	Acceleration level (G)	Duration (ms)
1 and 3 disk models	350	2
2 disk models	400	
All models	75	11

Figure 65. Sinusoidal shock wave

6.8.5 Rotational shock

All shock inputs shall be applied around the actuator pivot axis.

Duration	Rad/sec²
1 ms	30,000
2 ms	20,000

Figure 66. Rotational Shock

6.9 Acoustics

The upper limit criteria of the octave sound power levels are given in Bels relative to one picowatt and are shown in the following table. The sound power emission levels are measured in accordance with ISO 7779.

Mode		Typical		Max
		1 and 3 disk models	2 disk models	
Idle		3.1	3.0	3.4
Operating	Performance seek mode	3.4	3.4	3.7
	Quiet seek mode	3.2	3.1	3.5

Figure 67. Sound power levels

Mode definition:

Idle mode. The drive is powered on, disks spinning, track following, unit ready to receive and respond to interface commands.

Operating mode. Continuous random cylinder selection and seek operation of the actuator with a dwell time at each cylinder. The seek rate for the drive is to be calculated as shown below:

- Dwell time = $0.5 \times 60/\text{RPM}$
- Seek rate = $0.4 / (\text{Average seek time} + \text{Dwell time})$

6.10 Identification labels

The following labels are affixed to every drive shipped from the drive manufacturing location in accordance with the appropriate hard disk drive assembly drawing:

- A label containing the IBM logo, the IBM part number, and the statement “Made by IBM Japan Ltd.” or IBM approved equivalent
- A label containing the drive model number, the manufacturing date code, the formatted capacity, the place of manufacture, UL/CSA/TUV/CE/C-Tick mark logos
- A bar code label containing the drive serial number
- A label containing the jumper pin description
- A user designed label per agreement

The above labels may be integrated with other labels.

6.11 Safety

6.11.1 UL and CSA standard conformity

The product is qualified per UL 1950 Third Edition and CAN/CSA C22.2 No. 950-M95, Third Edition, for use in Information Technology Equipment including Electric Business Equipment.

The UL recognition or the CSA certification is maintained for the product life.

The UL and C-UL recognition mark or the CSA monogram for CSA certification appear on the drive.

6.11.2 German Safety Mark

The product is approved by TUV on Test requirement: EN 60 950:1992/A1-4 but the GS mark is not applicable to internal devices such as this product.

6.11.3 Flammability

The printed circuit boards used in this product are made of material with the UL recognized flammability rating of V-1 or better. The flammability rating is marked or etched on the board. All other parts not considered electrical components are made of material with the UL recognized flammability rating of V-1 or better. However, small mechanical parts such as cable ties, washers, screws, and PC board mounts may be made of material with a UL recognized flammability rating of V-2.

6.11.4 Safe handling

The product is conditioned for safe handling in regards to sharp edges and corners.

6.11.5 Environment

The product does not contain any known or suspected carcinogens.

Environmental controls meet or exceed all applicable government regulations in the country of origin. Safe chemical usage and manufacturing control are used to protect the environment. An environmental impact assessment has been done on the manufacturing process used to build the drive, the drive itself and the disposal of the drive at the end of its life.

Production also meets the requirements of the international treaty on chlorofluorocarbon (CFC) control known as the United Nations Environment Program Montreal Protocol, and as ratified by the member nations. Material to be controlled include CFC-11, CFC-12, CFC-113, CFC-114, CFC-115, Halon 1211, Halon 1301 and Halon 2402. Although not specified by the Protocol, CFC-112 is also controlled. In addition to the Protocol IBM requires the following:

- that no packaging used for the shipment of the product use controlled CFCs in the manufacturing process.
- that no manufacturing processes for parts or assemblies include printed circuit boards use controlled CFC materials.

6.11.6 Secondary circuit protection

Spindle/VCM driver module includes 12 V over current protection circuit.

6.12 Electromagnetic compatibility

When installed in a suitable enclosure and exercised with a random accessing routine at maximum data rate, the drive meets the following worldwide EMC requirements:

- United States Federal Communications Commission (FCC) Rules and Regulations (Class B), Part 15. IBM Corporate Standard C-S 2-0001-026 (A 6 dB buffer shall be maintained on the emission requirements).
- European Economic Community (EEC) directive number 76/889 related to the control of radio frequency interference and the Verband Deutscher Elektrotechniker (VDE) requirements of Germany (GOP). IBM National Bulletin NB 2-0001-400, NB 2-0001-401, and NB 2-0001-403.
- Electrostatic Discharge Susceptibility limits for a Class 2 ESD environment specified in IBM Corporate Standard C-S 2-0001-005.
- Radiated Electromagnetic Susceptibility (RES) as specified in IBM Corporate Standard C-S 2-0001-012.
- Spectrum Management Agency (SMA) EMC requirements of Australia. The SMA has approved two forms of C-Tick Marking for IBM. IBM National Bulletin NB 2-0001-406

6.12.1 CE Mark

The product is declared to be in conformity with requirements of the following EC directives under the sole responsibility of IBM United Kingdom Ltd. or Yamato Lab, IBM Japan Ltd:

Council Directive 89/336/EEC on the approximation of laws of the Member States relating to electromagnetic compatibility.

6.12.2 C-Tick Mark

The product complies with the following Australian EMC standard:

Limits and methods of measurement of radio disturbance characteristics of information technology, AS/NZS 3548 : 1995 Class B.

This page intentionally left blank.

Part 2. Interface specification

This page intentionally left blank.

7.0 General

This specification describes the host interface of the Deskstar 120GXP hard disk drive.

The interface conforms to the Working Document of Information Technology - AT Attachment with Packet Interface Extension (ATA/ATAPI-5), Revision 3, dated 29 February 2000, with certain limitations described in 7.2, "Deviations from standard."

7.1 Terminology

Device	The Deskstar 120GXP hard disk drive
Host	The system to which the device is attached

7.2 Deviations from standard

The device conforms to the referenced specifications with the following deviations:

Check Power Mode. Check Power Mode command returns FFh to Sector Count Register when the device is in Idle mode. This command does not support 80h as the return value.

Hard Reset. Hard reset response is not the same as that of power on reset. Refer to Section 9.1, "Reset Response" on page 73 for details.

This page intentionally left blank.

8.0 Registers

Addresses					Functions	
CS0-	CS1-	DA2	DA1	DA0	READ (DIOR-)	WRITE (DIOW-)
N	N	x	x	x	Data bus high impedance	Not used
					Control block registers	
N	A	0	x	x	Data bus high impedance	Not used
N	A	1	0	x	Data bus high impedance	Not used
N	A	1	1	0	Alternate Status	Device Control
N	A	1	1	1	Device Address	Not used
					Command block registers	
A	N	0	0	0	Data	Data
A	N	0	0	1	Error Register	Features
A	N	0	1	0	Sector Count	Sector Count
A	N	0	1	1	Sector Number	Sector Number
A	N	0	1	1	LBA bits 0-7 ¹	LBA bits 0-7 ¹
A	N	1	0	0	Cylinder Low	Cylinder Low
A	N	1	0	0	LBA bits 8-15 ¹	LBA bits 8-15 ¹
A	N	1	0	1	Cylinder High	Cylinder High
A	N	1	0	1	LBA bits 16-23 ¹	LBA bits 16-23 ¹
A	N	1	1	0	Device/Head.	Device/Head
A	N	1	1	0	LBA bits 24-27 ¹	LBA bits 24-27 ¹
A	N	1	1	1	Status	Command
A	A	x	x	x	Invalid address	

¹ Mapping of registers in LBA mode

Logic conventions: A = signal asserted
 N = signal negated
 X = may be A or N

Figure 68. Register Set

Communication to or from the device is through an I/O Register that routes the input or output data to or from registers addressed by the signals from the host (CS0-, CS1-, DA2, DA1, DA0, DIOR- and DIOW-).

The Command Block Registers are used for sending commands to the device or posting status from the device.

The Control Block Registers are used for device control and for posting alternate status.

8.1 Alternate Status Register

Alternate Status Register							
7	6	5	4	3	2	1	0
BSY	RDY	DF	DSC/ SERV	DBQ	COR	IDX	ERR

Figure 69. Alternate Status Register

This register contains the same information as the Status Register. The only difference is that reading this register does not imply interrupt acknowledge or clear a pending interrupt. See 8.13, “Status Register” on page 72 for the definition of the bits in this register.

8.2 Command Register

This register contains the command code being sent to the device. Command execution begins immediately after this register is written. The command set is shown in Figure 88 on page 104.

All other registers required for the command must be set up before writing the Command Register.

8.3 Cylinder High Register

This register contains the high order bits of the starting cylinder address for any disk access. At the end of the command this register is updated to reflect the current cylinder number.

In LBA Mode this register contains Bits 16-23. At the end of the command this register is updated to reflect the current LBA Bits 16-23.

The cylinder number may range from zero to the number of cylinders minus one.

8.4 Cylinder Low Register

This register contains the low order bits of the starting cylinder address for any disk access. At the end of the command this register is updated to reflect the current cylinder number.

In LBA Mode this register contains Bits 8-15. At the end of the command this register is updated to reflect the current LBA Bits 8-15.

The cylinder number may be from zero to the number of cylinders minus one.

8.5 Data Register

This register is used to transfer data blocks between the device data buffer and the host. It is also the register through which sector information is transferred on a Format Track command and configuration information is transferred on an Identify Device command.

All data transfers are 16 bits wide, except for ECC byte transfers which are 8 bits wide. Data transfers are PIO only.

The register contains valid data only when DRQ=1 in the Status Register.

8.6 Device Control Register

Device Control Register							
7	6	5	4	3	2	1	0
-	-	-	-	1	SRST	-IEN	0

Figure 70. Device Control Register

Bit Definitions

SRST (RST) Software Reset. The device is held reset when RST=1. Setting RST=0 re-enables the device.

The host must set RST=1 and wait for at least 5 μ s before setting RST=0 to ensure that the device recognizes the reset.

-IEN Interrupt Enable. When -IEN=0 and the device is selected, device interrupts to the host will be enabled. When -IEN=1 or the device is not selected, device interrupts to the host will be disabled.

8.7 Drive Address Register

Drive Address Register							
7	6	5	4	3	2	1	0
HIZ	-WTG	-H3	-H2	-H1	-H0	-DS1	-DS0

Figure 71. Drive Address Register

This register contains the inverted drive select and head select addresses of the currently selected drive.

Bit Definitions

HIZ High Impedance. This bit is not driven and will always be in a high impedance state.

-WTG -Write Gate. This bit is 0 when writing to the disk device is in progress.

-H3,-H2,-H1,-H0 -

-Head Select. These four bits are the 1's complement of the binary coded address of the currently selected head. -H0 is the least significant.

- DS1** -Drive Select 1. Drive select bit for device 1, active low. DS1=0 when device 1 (slave) is selected and active.
- DS0** -Drive Select 0. Drive select bit for device 0, active low. DS0=0 when device 0 (master) is selected and active.

8.8 Device/Head Register

Device/Head Register							
7	6	5	4	3	2	1	0
1	L	1	DRV	HS3	HS2	HS1	HS0

Figure 72. Device/Head Register

This register contains the device and head numbers.

Bit Definitions

- L** Binary encoded address mode select. When L=0, addressing is by CHS mode. When L=1, addressing is by LBA mode.
- DRV** Device. When DRV=0, device 0 (master) is selected. When DRV=1, device 1 (slave) is selected.
- HS3, HS2, HS1, HS0**
 Head Select. These four bits indicate binary encoded address of the head. HS0 is the least significant bit. At command completion these bits are updated to reflect the currently selected head.

 The head number may be from zero to the number of heads minus one.

 In LBA mode HS3 through HS0 contain bits 24-27 of the LBA. At command completion these bits are updated to reflect the current LBA bits 24-27.

8.9 Error Register

Error Register							
7	6	5	4	3	2	1	0
CRC	UNC	0	IDNF	0	ABRT	TK0NF	AMNF

Figure 73. Error Register

This register contains status from the last command executed by the device or a diagnostic code. At the completion of any command – except Execute Device Diagnostic – the contents of this register are always valid even if ERR=0 is in the Status Register. Following a power on, a reset, or completion of an Execute Device Diagnostic command, this register contains a diagnostic code. See Figure 77 on page 74 for the definition.

Bit Definitions

ICRCE (CRC)	Interface CRC Error. CRC=1 indicates a CRC error has occurred on the data bus during Ultra-DMA transfer.
UNC	Uncorrectable Data Error. UNC=1 indicates an uncorrectable data error has been encountered.
IDNF (IDN)	ID Not Found. IDN=1 indicates the ID field of the requested sector could not be found.
ABRT (ABT)	Aborted Command. ABT=1 indicates the requested command has been aborted due to a device status error or an invalid parameter in an output register.
TK0NF (T0N)	Track 0 Not Found. T0N=1 indicates track 0 was not found during a Recalibrate command.
AMNF (AMN)	Address Mark Not Found. AMN=1 indicates that data address mark has not been found after finding the correct ID field for the requested sector.

8.10 Features Register

This register is command specific. This is used with the Set Features command, S.M.A.R.T. Function Set command, and Format Unit command.

8.11 Sector Count Register

This register contains the number of sectors of data requested to be transferred on a read or write operation between the host and the device. If the value in the register is set to 0, a count of 256 sectors is specified.

If the register is zero at command completion, the command was successful. If it is not successfully completed, the register contains the number of sectors which need to be transferred in order to complete the request.

The contents of the register are defined otherwise on some commands. These definitions are given in the command descriptions.

8.12 Sector Number Register

This register contains the starting sector number for any disk data access for the subsequent command. The sector number is from one to the maximum number of sectors per track.

In LBA mode this register contains Bits 0-7. At the end of the command this register is updated to reflect the current LBA Bits 0-7.

8.13 Status Register

Status Register							
7	6	5	4	3	2	1	0
BSY	DRDY	DF	DSC/ SERV	DRQ	CORR	IDX	ERR

Figure 74. Status Register

This register contains the device status. The contents of this register are updated whenever an error occurs and at the completion of each command.

If the host reads this register when an interrupt is pending, it is considered to be the interrupt acknowledge. Any pending interrupt is cleared whenever this register is read.

If BSY=1, no other bits in the register are valid.

Bit Definitions

- BSY** Busy. BSY=1 whenever the device is accessing the registers. The host should not read or write any registers when BSY=1. If the host reads any register when BSY=1, the contents of the Status Register will be returned.
- DRDY (RDY)** Device Ready. RDY=1 indicates that the device is capable of responding to a command. RDY will be set to zero during power on until the device is ready to accept a command. If the device detects an error while processing a command, RDY is set to zero until the Status Register is read by the host, at which time RDY is set back to one.
- DF** Device Fault. DF = 1 indicates that the device has detected a write fault condition. DF is set to zero after the Status Register is read by the host.
- DSC** Device Seek Complete. DSC=1 indicates that a seek has completed and the device head is settled over a track. DSC is set to zero by the device just before a seek begins. When an error occurs, this bit is not changed until the Status Register is read by the host at which time the bit again indicates the current seek complete status. When the device enters into or is in Standby mode or Sleep mode, this bit is set by device in spite of not spinning up.
- SERV (SRV)** Service. SRV is set to one when the device is ready to transfer data after it releases the bus for execution of a DMA Queued command.
- DRQ** Data Request. DRQ=1 indicates that the device is ready to transfer a word or byte of data between the host and the device. The host should not write the Command register when DRQ=1.
- CORR (COR)** Corrected Data. Always zero.
- IDX** Index. IDX=1 once per revolution. Because IDX=1 only for a very short time during each revolution, the host may not see it set to one even if the host is continuously reading the Status Register. Therefore the host should not attempt to use IDX for timing purposes.
- ERR** Error. ERR=1 indicates that an error occurred during execution of the previous command. The Error Register should be read to determine the error type. The device sets ERR=0 when the next command is received from the host.

9.0 General operation

9.1 Reset response

There are three types of resets in ATA:

Power On Reset (POR). The device executes a series of electrical circuitry diagnostics, spins up the HDA, tests speed and other mechanical parameters, and sets default values.

Hard Reset (Hardware Reset). RESET- signal is negated in ATA Bus. The device resets the interface circuitry as well as Soft Reset.

Soft Reset (Software Reset). SRST bit in the Device Control Register is set and then is reset. The device resets the interface circuitry according to the Set Features requirement.

The actions of each reset is shown in the following figure.

	POR	Hard Reset	Soft Reset
Aborting Host interface	–	O	O
Aborting Device interface	–	(1)	(1)
Initialization of hardware	O	X	X
Internal diagnostic	O	X	X
Spinning spindle	O	X	X
Initialization of registers (2)	O	O	O
DASP handshake	O	O	X
PDIAG handshake	O	O	O
Reverting programmed parameters to default <ul style="list-style-type: none">• Number of CHS (set by Initialize Device Parameter)• Multiple mode• Write Cache• Read look-ahead• ECC bytes	O	(3)	(3)
Disable Standby timer	O	X	X
Power mode	(5)	(4)	(4)

O - execute

X - not execute

Notes:

- (1) Execute after the data in write cache has been written.
- (2) Default value on POR is shown in Figure 76 on page 74.
- (3) The Set Features command with Feature register = CCh enables the device to revert these parameters to the power on defaults.
- (4) In the case of Sleep mode the device goes to Standby mode. In other cases the device does not change current mode.
- (5) Idle when Power-Up in Standby feature set is disabled. Standby when Power-Up in Standby feature set is enabled.

Figure 75. Reset Response Table

9.2 Register initialization

After power on, hard reset, or software reset, the register values are initialized as shown in the figure below.

Register	Default Value
Error	Diagnostic Code
Sector Count	01h
Sector Number	01h
Cylinder Low	00h
Cylinder High	00h
Device/Head	A0h
Status	50h
Alternate Status	50h

Figure 76. Default Register Values

The meaning of the Error Register diagnostic codes resulting from power on, hard reset, or the Execute Device Diagnostic command are shown in the figure below.

Code	Description
01h	No error detected
02h	Formatter device error
03h	Sector buffer error
04h	ECC circuitry error
05h	Controller microprocessor error
8xh	Device 1 failed

Figure 77. Diagnostic Codes

9.3 Diagnostic and reset considerations

For each Reset and Execute Device Diagnostic the diagnostic is done as follows:

Power On Reset. DASP- is read by Device 0 to determine if Device 1 is present. If Device 1 is present, Device 0 shall read PDIAG- to determine when it is valid to clear the BSY bit and whether Device 1 has powered on or reset without error. Otherwise Device 0 clears the BSY bit whenever it is ready to accept commands. Device 0 may assert DASP- to indicate device activity.

Hard Reset, Soft Reset. If Device 1 is present Device 0 shall read PDIAG- to determine when it is valid to clear the BSY bit and whether Device 1 has reset without any errors. Otherwise Device 0 shall simply reset and clear the BSY bit. DASP- is asserted by Device 0 (and Device 1 if it is present) in order to indicate device active.

Execute Device Diagnostic. If Device 1 is present, Device 0 shall read PDIAG- to determine when it is valid to clear the BSY bit and if Device 1 passed or failed the EXECUTE DEVICE DIAGNOSTIC command. Otherwise Device 0 shall simply execute its diagnostics and then clear the BSY bit. DASP- is asserted by Device 0 (and Device 1 if it is present) in order to indicate the device is active.

In all the above cases Power on, RESET-, Soft reset, and the EXECUTE DEVICE DIAGNOSTIC command the Device 0 Error register as shown in the figure below.

Device 1 present?	PDIAG- Asserted?	Device 0 Passed	Error Register
Yes	Yes	Yes	01h
Yes	Yes	No	0xh
Yes	No	Yes	81h
Yes	No	No	8xh
No	(not read)	Yes	01h
No	(not read)	No	0xh

'x' indicates the appropriate Diagnostic Code for the Power on, RESET-, Soft Reset, or Device Diagnostic error.

Figure 78. Reset error register values

9.4 Sector Addressing Mode

All addressing of data sectors recorded on the drive media is by a logical sector address. The logical CHS address for the drive is different from the actual physical CHS location of the data sector on the disk media.

The drive supports both Logical CHS Addressing Mode and LBA Addressing Mode as the sector addressing mode.

The host system may select either the currently selected CHS translation addressing or LBA addressing on a command-by-command basis by using the L bit in the DEVICE/HEAD register. So a host system must set the L bit to 1 if the host uses LBA Addressing mode.

9.4.1 Logical CHS Addressing Mode

The logical CHS addressing is made up of three fields: cylinder number, head number and sector number. Sectors are numbered from 1 to the maximum value allowed by the current CHS translation mode but cannot exceed 255(0FFh). Heads are numbered from 0 to the maximum value allowed by the current CHS translation mode but cannot exceed 15(0Fh). Cylinders are numbered from 0 to the maximum value allowed by the current CHS translation mode but cannot exceed 65535(0FFFFh).

When the host selects a CHS translation mode using the INITIALIZE DEVICE PARAMETERS command, the host requests the number of sectors per logical track and the number of heads per logical cylinder. The device then computes the number of logical cylinders available in requested mode.

The default CHS translation mode is described in the Identify Device Information. The current CHS translation mode is also described in the Identify Device Information.

9.4.2 LBA Addressing Mode

Logical sectors on the device shall be mapped linearly with the first LBA addressed sector (sector 0) being the same sector as the first logical CHS addressed sector (cylinder 0, head 0, sector 1). Regardless of the logical CHS translation mode currently in effect, the LBA address of a given logical sector does not change. The following formula is always true:

$$\text{LBA} = ((\text{cylinder} \times \text{heads per cylinder} + \text{heads}) \times \text{sectors per track}) + \text{sector} - 1$$

where *heads per cylinder* and *sectors per track* are the current translation mode values.

On LBA addressing mode the LBA value is set to the following register:

Device/Head	<--- LBA bits 27-24
Cylinder High	<--- LBA bits 23-16
Cylinder Low	<--- LBA bits 15-8
Sector Number	<--- LBA bits 7-0

9.5 Overlapped and queued feature

Overlap allows devices to perform a bus release so that the other device on the bus may be used. To perform a bus release the device clears both DRQ and BSY to zero. When selecting the other device during overlapped operations, the host shall disable interrupts via the nIEN bit on the currently selected device before writing the Device/Head register to select the other device.

The only commands that may be overlapped are

NOP (with 01h subcommand code)	('00'h)
Read DMA Queued	('C7'h)
Service	('A2'h)
Write DMA Queued	('CC'h)

For the READ DMA QUEUED and WRITE DMA QUEUED commands, the device may or may not perform a bus release. If the device is ready to complete the execution of the command, it may complete the command immediately. If the device is not ready to complete the execution of the command, the device may perform a bus release and complete the command via a service request.

Command queuing allows the host to issue concurrent commands to the same device. Only commands included in the overlapped feature set may be queued. If a queue exists when a non-queued command is received, the nonqueued command shall be aborted and the commands in the queue shall be discarded. The ending status shall be ABORT command and the results are indeterminate.

The maximum queue depth supported by a device is indicated in word 73 of Identify Device information.

A queued command shall have a Tag provided by the host in the Sector Count register to uniquely identify the command. When the device restores register parameters during the execution of the SERVICE command, this Tag shall be restored so that the host may identify the command for which status is being presented. If a queued command is issued with a Tag value that is identical to the Tag value for a command already in the queue, the entire queue is aborted including the new command. The ending status is ABORT command and the results are indeterminate. If any error occurs, the command queue is aborted.

When the device is ready to continue processing a bus released command and BSY and DRQ are both cleared to zero, the device requests service by setting SERV to one, setting a pending interrupt, and asserting INTRQ if selected and if nIEN is cleared to zero. SERV shall remain set until all commands ready for service have been serviced. The pending interrupt shall be cleared and INTRQ negated by a Status register read or a write to the Command register.

When the device is ready to continue processing a bus released command and BSY or DRQ is set to one (i.e., the device is processing another command on the bus), the device requests service by setting SERV to one. SERV shall remain set until all commands ready for service have been serviced. At command completion of the current command processing (i.e., when both BSY and DRQ are cleared to zero), the device shall process interrupt pending and INTRQ per the protocol for the command being completed. No additional interrupt shall occur due to other commands ready for service until after the SERV bit of the device has been cleared to zero.

When the device receives a new command while queued commands are ready for service, the device shall execute the new command and process interrupt pending and INTRQ per the protocol for the new command. If the queued commands ready for service still exist at command completion of this command, SERV remains set to one but no additional interrupt shall occur due to commands ready for service.

When queuing commands, the host shall disable interrupts via the nIEN bit before writing a new command to the Command register and may re-enable interrupts after writing the command. When reading status at command completion of a command, the host shall check the SERV bit since the SERV bit may be set because the device is ready for service associated with another queued command. The host receives no additional interrupt to indicate that a queued command is ready for service.

9.6 Power management feature

The power management feature functions permit a host to reduce the power required to operate the drive. It provides a set of commands and a timer that enables a device to implement low power consumption modes.

The drive implements the following set of functions:

- Standby timer
- Idle command
- Idle Immediate command
- Sleep command
- Standby command
- Standby Immediate command

9.6.1 Power modes

The lowest power consumption when the device is powered on occurs in Sleep Mode. When in sleep mode the device requires a reset to be activated.

In Standby Mode the device interface is capable of accepting commands, but as the media may not be immediately accessible, there is a delay while waiting for the spindle to reach operating speed.

In Idle Mode the device is capable of responding immediately to media access requests.

In Active Mode the device is executing a command or accessing the disk media with the read look-ahead function or the write cache function.

9.6.2 Power management commands

The Check Power Mode command enables a host to determine if a device is currently in, going into, or leaving standby mode.

The Idle and Idle Immediate commands move a device to idle mode directly from the active or standby modes. The idle command also sets the standby timer count and starts the standby timer.

The Standby and Standby Immediate commands move a device to standby mode directly from the active or idle modes. The standby command also sets the standby timer count.

The Sleep command moves a device to sleep mode. The interface of the device becomes inactive at the completion of the sleep command. A reset is required to move a device out of sleep mode. When a device exits sleep mode, it enters Standby mode.

9.6.3 Standby timer

The standby timer provides a method for the device to automatically enter standby mode from either active or idle mode following a host programmed period of inactivity. If the device is in the active or idle mode, the device waits for the specified time period and, if no command is received, the device automatically enters the standby mode.

If the value of SECTOR COUNT register on Idle command or Standby command is set to 00h, the standby timer is disabled.

9.6.4 Interface capability for power modes

Each power mode affects the physical interface as defined in the following table.

Mode	BSY	RDY	Interface active	Media
Active	X	X	Yes	Active
Idle	O	1	Yes	Active
Standby	O	1	Yes	Inactive
Sleep	X	X	No	Inactive

Figure 79. Power conditions

Ready (RDY) is not a power condition. A device may post ready at the interface even though the media may not be accessible.

9.7 S.M.A.R.T. function

The intent of Self-Monitoring Analysis and Reporting Technology (S.M.A.R.T) is to protect user data and prevent unscheduled system downtime that may be caused by predictable degradation and/or fault of the device. By monitoring and storing critical performance and calibration parameters, S.M.A.R.T devices employ sophisticated data analysis algorithms to predict the likelihood of near-term degradation or fault condition. By alerting the host system of a negative reliability status condition, the host system can warn the user of the impending risk of a data loss and advise the user of appropriate action.

9.7.1 Attributes

Attributes are the specific performance or calibration parameters that are used in analyzing the status of the device. Attributes are selected by the device manufacturer based on the ability of that attribute to contribute to the prediction of degrading or faulty conditions for that particular device. The specific set of attributes being used and the identity of these attributes is vendor specific and proprietary.

9.7.2 Attribute values

Attribute values are used to represent the relative reliability of individual performance or calibration attributes. The valid range of attribute values is from 1 to 253 decimal. Higher attribute values indicate that the analysis algorithms being used by the device are predicting a lower probability of a degrading or faulty condition existing. Accordingly, lower attribute values indicate that the analysis algorithms being used by the device are predicting a higher probability of a degrading or faulty condition.

9.7.3 Attribute thresholds

Each attribute value has a corresponding attribute threshold limit which is used for direct comparison to the attribute value to indicate the existence of a degrading or faulty condition. The numerical values of the attribute thresholds are determined by the device manufacturer through design and reliability testing and analysis. Each attribute threshold represents the lowest limit to which its corresponding attribute value can be equal while still retaining a positive reliability status. Attribute thresholds are set at the device manufacturer's factory and cannot be changed in the field. The valid range for attribute thresholds is from 1 through 253 decimals.

9.7.4 Threshold Exceeded Condition

If one or more attribute values, whose Pre-failure bit of their status flag is set, are less than or equal to their corresponding attribute thresholds, the device reliability status is negative, indicating an impending degrading or faulty condition.

9.7.5 S.M.A.R.T. commands

The S.M.A.R.T. commands provide access to attribute values, attribute thresholds, and other logging and reporting information.

9.7.6 Off-line read scanning

The device provides the off-line read scanning feature with reallocation. This is the extension of the off-line data collection capability. The device performs the entire read scan with reallocation of the marginal sectors to prevent loss of user data.

If interrupted by the host during the read scanning, the device services the host command.

9.7.7 Error log

Logging of reported errors is supported. The device provides information on the last five errors that the device reported as described in the SMART error log sector. The device may also provide additional

vendor specific information on these reported errors. The error log is not disabled when SMART is disabled. Disabling SMART disables the delivering of error log information via the SMART READ LOG SECTOR command.

If a device receives a firmware modification, all error log data is discarded and the device error count for the life of the device is reset to zero.

9.7.8 Self-test

The device provides the self-test features which are initiated by SMART Execute Off-line Immediate command. The self-test checks the fault of the device, reports the test status in Device Attributes Data, and stores the test result in the SMART self-test log sector as described in the SMART self-test log data structure. All SMART attributes are updated accordingly during the execution of self-test.

If interrupted by the host during the self-tests, the device services the host command.

If the device receives a firmware modification, all self-test log data is discarded.

9.8 Security Mode Feature Set

Security Mode Feature Set is a powerful security feature. With a device lock password, a user can prevent unauthorized access to a hard disk drive even if the device is removed from the computer.

The following commands are supported for this feature:

Security Set Password	('F1'h)
Security Unlock	('F2'h)
Security Erase Prepare	('F3'h)
Security Erase Unit	('F4'h)
Security Freeze Lock	('F5'h)
Security Disable Password	('F6'h)

9.8.1 Security mode

The following security modes are provided:

Device Locked mode	The device disables media access commands after power on. Media access commands are enabled by either a security unlock command or a security erase unit command.
Device Unlocked mode	The device enables all commands. If a password is not set this mode is entered after power on, otherwise it is entered by a security unlock or a security erase unit command.
Device Frozen mode	The device enables all commands except those which can update the device lock function, set/change password. The device enters this mode via a Security Freeze Lock command. It cannot quit this mode until power off.

9.8.2 Security level

The following security levels are provided:

High level security	When the device lock function is enabled and the User Password is forgotten, the device can be unlocked via a Master Password.
Maximum level security	When the device lock function is enabled and the User Password is forgotten, only the Master Password with a Security Erase Unit command can unlock the device. User data is then erased.

9.8.3 Passwords

This function can have the two kinds of passwords described below:

Master Password	<p>When the Master Password is set, the device does NOT enable the Device Lock Function and the device cannot be locked with the Master Password, but the Master Password can be used for unlocking the device locked.</p> <p>Identify Device Information word 92 contains the value of the Master Password Revision Code set when the Master Password was last changed. Valid values are 0001h through FFFEh.</p>
User Password	<p>The User Password should be given or changed by a system user. When the User Password is set, the device enables the Device Lock Function and the device is then locked on next power on reset or hard reset.</p>

The system manufacturer or dealer who intends to enable the device lock function for end-users must set the master password even if only single level password protection is required.

9.8.4 Operation example

9.8.4.1 Master Password setting

The system manufacturer or dealer can set a new Master Password from default Master Password using the Security Set Password command without enabling the Device Lock Function.

The Master Password Revision Code is set to FFFEh as shipping default by the drive manufacturer.

9.8.4.2 User Password setting

When a User Password is set, the device will automatically enter lock mode when the device is powered on the next time.

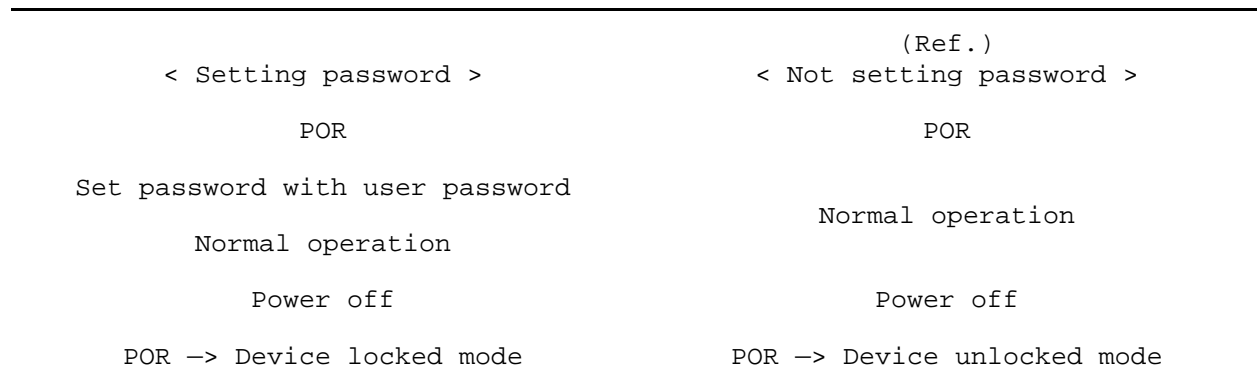
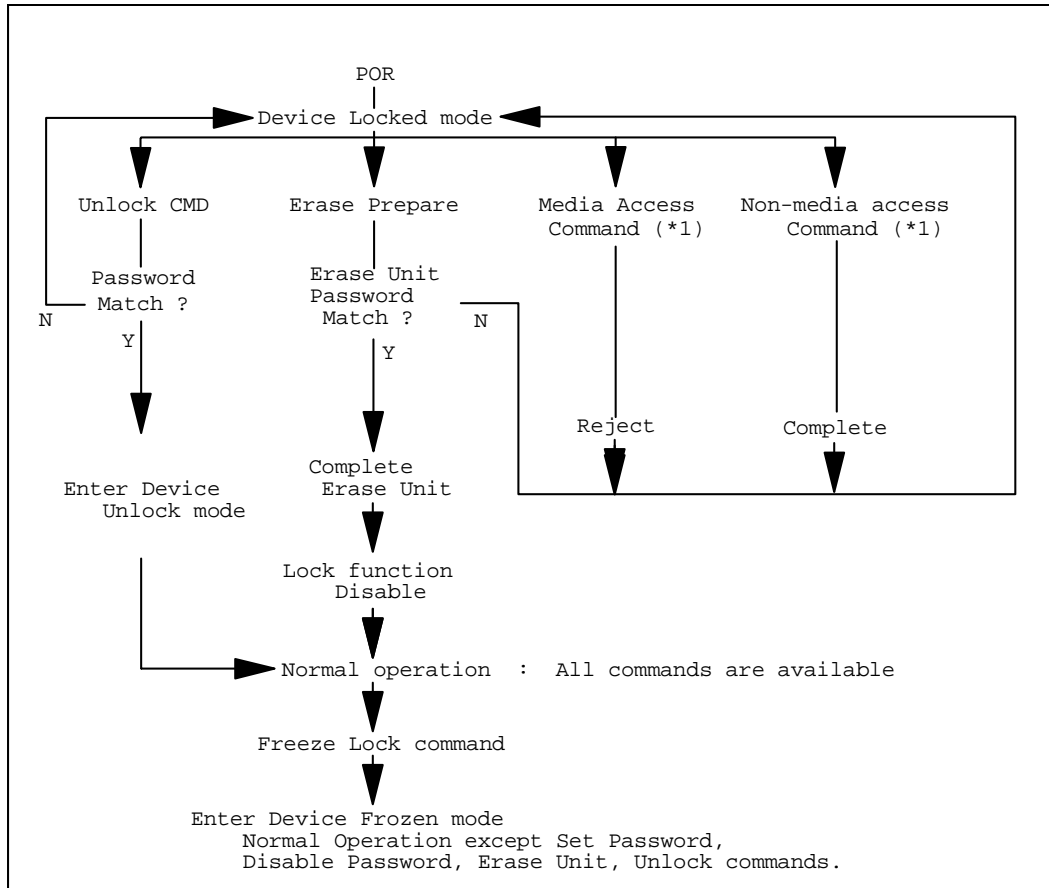


Figure 80. Initial Setting

9.8.4.3 Operation from POR after User Password is set

When Device Lock Function is enabled, the device rejects media access command until a Security Unlock command is successfully completed.



(*1) Refer to figure 83 on page 86.

Figure 81. Usual Operation

9.8.4.4 User Password Lost

If the User Password is forgotten and High level security is set, the system user cannot access any data. However the device can be unlocked using the Master Password.

If a system user forgets the User Password and Maximum security level is set, data access is impossible. However the device can be unlocked using the Security Erase Unit command to unlock the device and erase all user data with the Master Password.

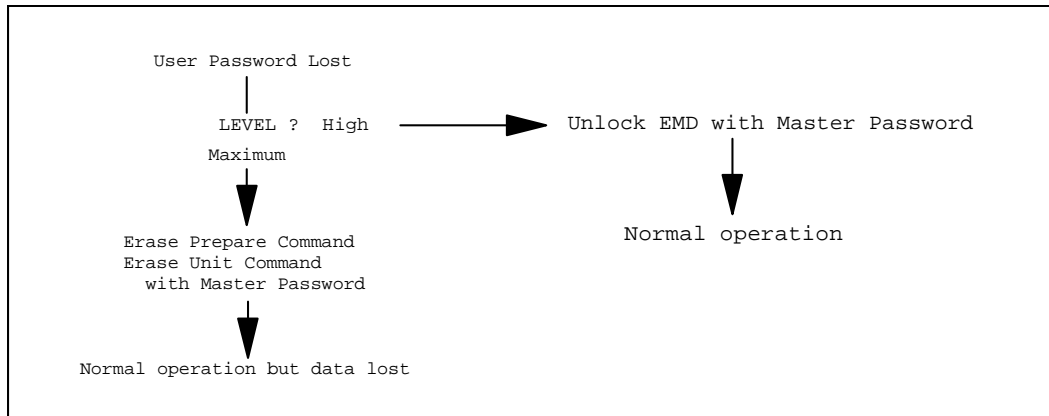


Figure 82. Password Lost

9.8.4.5 Attempt limit for SECURITY UNLOCK command

The SECURITY UNLOCK command has an attempt limit. The purpose of this attempt limit is to prevent someone from attempting to unlock the drive by using various passwords multiple times.

The device counts the password mismatch. If the password does not match, the device counts it without distinguishing the Master password and the User password. If the count reaches 5, EXPIRE bit (bit 4) of Word 128 in Identify Device information is set and the SECURITY ERASE UNIT command and the SECURITY UNLOCK command are then aborted until a hard reset or a power off. The count and EXPIRE bit are cleared after a power-on reset or a hard reset.

9.8.5 Command table

This table shows the response of the device to commands when the Security Mode Feature Set (Device lock function) is enabled.

Command	Locked Mode	Unlocked Mode	Frozen Mode
Check Power Mode	Executable	Executable	Executable
Execute Device Diagnostic	Executable	Executable	Executable
Device Configuration Restore	Command aborted	Executable	Executable
Device Configuration Freeze Lock	Executable	Executable	Executable
Device Configuration Identify	Executable	Executable	Executable
Device Configuration Set	Command aborted	Executable	Executable
Flush Cache	Command aborted	Executable	Executable
Format Track	Command aborted	Executable	Executable
Identify Device	Executable	Executable	Executable
Idle	Executable	Executable	Executable
Idle Immediate	Executable	Executable	Executable
Initialize Device Parameters	Executable	Executable	Executable
NOP	Executable	Executable	Executable
Read Buffer	Executable	Executable	Executable
Read DMA	Command aborted	Executable	Executable
Read DMA Queued	Command aborted	Executable	Executable
Read Long	Command aborted	Executable	Executable
Read Multiple	Command aborted	Executable	Executable
Read Native Max Address	Executable	Executable	Executable
Read Sector(s)	Command aborted	Executable	Executable
Read Verify Sector(s)	Command aborted	Executable	Executable
Recalibrate	Executable	Executable	Executable
Security Disable Password	Command aborted	Executable	Command aborted
Security Erase Prepare	Executable	Executable	Command aborted
Security Erase Unit	Executable	Executable	Command aborted
Security Freeze Lock	Command aborted	Executable	Executable
Security Set Password	Command aborted	Executable	Command aborted
Security Unlock	Executable	Executable	Command aborted
Seek	Executable	Executable	Executable
Service	Command aborted	Executable	Executable
Set Features	Executable	Executable	Executable
Set Max Address	Command aborted	Executable	Executable
Set Multiple Mode	Executable	Executable	Executable
Sleep	Executable	Executable	Executable
SMART Disable Operations	Executable	Executable	Executable
SMART Enable/Disable Attributes Autosave	Executable	Executable	Executable

Figure 83. Command table for device lock operation (part 1 of 2)

Command	Locked Mode	Unlocked Mode	Frozen Mode
SMART Enable Operations	Executable	Executable	Executable
SMART Execute Off-line Immediate	Executable	Executable	Executable
SMART Read Attribute Values	Executable	Executable	Executable
SMART Read Attribute Thresholds	Executable	Executable	Executable
SMART Return Status	Executable	Executable	Executable
SMART Save Attribute Values	Executable	Executable	Executable
SMART Read Log Sector	Executable	Executable	Executable
SMART Write Log Sector	Executable	Executable	Executable
SMART Enable/Disable Automatic Off-Line	Executable	Executable	Executable
Standby	Executable	Executable	Executable
Standby Immediate	Executable	Executable	Executable
Write Buffer	Executable	Executable	Executable
Write DMA	Command aborted	Executable	Executable
Write DMA Queued	Command aborted	Executable	Executable
Write Long	Command aborted	Executable	Executable
Write Multiple	Command aborted	Executable	Executable
Write Sector(s)	Command aborted	Executable	Executable

Figure 84. Command table for device lock operation (part 2 of 2)

9.9 Host Protected Area Function

The Host Protected Area Function provides a protected area which cannot be accessed via conventional methods. This protected area is used to contain critical system data such as BIOS or system management information. The contents of the main memory of the entire system may also be dumped into the protected area to resume after system power off.

The following set of commands changes the LBA/CYL, which affects the Identify Device Information:

Read Native Max Address	('F8'h)
Set Max Address	('F9'h)

9.9.1 Example for operation (in LBA mode)

The following is an example of possible values for LBA, size, and other device characteristics:

Capacity (native)	6,498,680,832 byte (6.4 GB)
Maximum LBA (native)	12,692,735 (C1ACFFh)
Required size for protected area	206,438,400 byte
Required blocks for protected area	403,200 (062700h)
Customer usable device size	6,292,242,432 byte (6.2 GB)
Customer usable sector count	12,289,536 (BB8600h)
LBA range for protected area	BB8600h to C1ACFFh

1. Shipping of drives from the manufacturer

Prior to being shipped from the manufacturer the drive has been tested to have a usable capacity of 6.4 GB besides flagged media defects not visible by the system.

2. Preparation of drives by the system manufacturer

Special utility software is required to define the size of the protected area and to store the data in it. The sequence is as follows:

- i. Issue a Read Native Max Address command to get the real device maximum LBA. Returned value shows that the native device maximum LBA is 12,692,735 (C1ACFFh) regardless of the current setting.
- ii. Make the entire device accessible including the protected area by setting device maximum LBA to 12,692,735 (C1ACFFh) via Set Max Address command. The option may be either nonvolatile or volatile.
- iii. Test the sectors for protected area (LBA > = 12,289,536 (BB8600h)) if required.
- iv. Write information data such as BIOS code within the protected area.
- v. Change maximum LBA using Set Max Address command to 12,289,535 (BB85FFh) with nonvolatile option.
- vi. From this point the protected area cannot be accessed until the next Set Max Address command is issued. Since the device functions in the same manner as a 6.2 GB device, any BIOS, device driver, or application software will access the drive as if it were a 6.2 GB device.

3. Conventional usage without system software support

Since the drive works as a 6.2 GB device, this device requires no special care for normal use.

4. Advanced usage using protected area

The data in the protected area is accessed by the following method:

- i. Issue Read Native Max Address command to get the real device maximum LBA. Returned value shows that native device maximum LBA is 12,692,735 (C1ACFFh) regardless of the current setting.
- ii. Make the entire device including the protected area accessible by setting device maximum LBA as 12,692,735 (C1ACFFh) via the Set Max Address command with the volatile option. By using this option an unexpected power removal or reset will not keep the protected area accessible.
- iii. Read information data from protected area.
- iv. Issue hard reset or POR to inhibit any access to the protected area.

9.9.2 Security extensions

1. *Set Max Set Password*
2. *Set Max Lock*
3. *Set Max Freeze Lock*
4. *Set Max Unlock*

The Set Max Set Password command allows the host to define the password to be used during the current power on cycle. The password does not persist over a power cycle but does persist over a hardware or software reset. This password is not related to the password used for the Security Mode Feature set. When the password is set the device is in the Set_Max_Unlocked mode. The Set Max Lock command allows the host to disable the Set Max commands (except set Max Unlock) until the next power cycle or the issuance and acceptance of the Set Max Unlock command. When this command is accepted, the device is in the Set_Max_Locked mode. The Set Max Unlock command changes the device from the Set_Max_Locked mode to the Set_Max_Unlocked mode. The Set Max Freeze Lock command allows the host to disable the Set Max commands (including Set Max UNLOCK) until the next power cycle. When this command is accepted, the device is in the Set_Max_Frozen mode.

The IDENTIFY DEVICE response word 83, bit 8 indicates that this extension is supported if set, and word 86, bit 8 indicates the Set Max security extension is enabled if set.

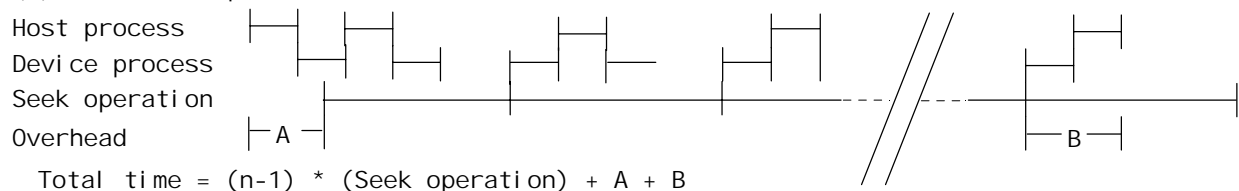
9.10 Seek Overlap

The Travelstar 120GXP provides an accurate method for measuring seek time. The seek command is usually used to measure the device seek time by accumulating the execution time for a number of seek commands. With typical implementation of seek command this measurement must include the device and host command overhead. To eliminate this overhead the drive overlaps the seek command as described below.

The first seek command is completed before the actual seek operation is ended. Then the device can receive the next seek command from the host; however, the actual seek operation for the next seek command starts immediately after the actual seek operation for the first seek command is completed. In other words, the execution of two seek commands overlaps excluding the time required for the actual seek operation.

With this overlap the total elapsed time for a number of seek commands results in the total accumulated time for actual seek operation plus one pre- and post-overhead. When the number of seeks is large, only one overhead may be ignored.

(1) With overlap



(2) Without overlap

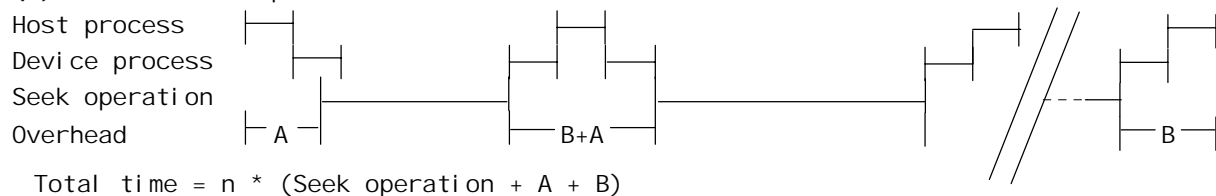


Figure 85. Seek overlap

9.11 Write cache function

Write cache is a performance enhancement whereby the device reports the completion of the write command (Write Sectors, Write Multiple, and Write DMA) to the host as soon as the device has received all of the data into its buffer. The device assumes the responsibility for subsequently writing the data onto the disk.

- While writing data after completed acknowledgment of a write command, soft reset or hard reset does not affect its operation. However power off terminates the writing operation immediately and unwritten data is lost.
- The Soft reset, Standby (Immediate) command, and Flush Cache commands during the writing of the cached data are executed after the completion of writing to media. So the host system can confirm the completion of write cache operation by issuing a Soft reset, Standby (Immediate) command, or Flush Cache command to the device.
- The retry bit of Write Sectors is ignored when write cache is enabled.

9.12 Reassign function

The Reassign function is used with read commands and write commands. The sectors of data for reassignment are prepared as the spare data sector.

This reassignment information is registered internally and the information is available right after completing the Reassign function. Also the information is used on the next power on reset or hard reset.

If the number of the spare sector reaches 0 sector, the Reassign function will be automatically disabled.

The spare sectors for reassignment are located in the reserved area. As a result of reassignment the physical location of logically sequenced sectors will be dispersed.

9.13 Auto Reassign function

The sectors which show some errors may be reallocated automatically when specific conditions are met. The spare sectors for reallocation are located at the end of drive. The conditions for auto-reallocation are described below.

9.13.1 Nonrecovered write errors

When a write operation cannot be completed after the Error Recovery Procedure (ERP) is fully carried out, the sector(s) are reallocated to the spare location. An error is reported to the host system only when the write cache is disabled and the auto reallocation has failed.

If the Write Cache function is ENABLED when the number of available spare sectors reaches 0 sector, both Auto Reassign function and Write Cache function are automatically disabled.

9.13.2 Nonrecovered read errors

When a read operation has failed after defined ERP is fully carried out, a hard error is reported to the host system. This location is registered internally as a candidate for reallocation. When a registered location is specified as a target of a write operation, a sequence of media verification is performed automatically. When the result of this verification meets the criteria, this sector is reallocated.

9.13.3 Recovered read errors

When a read operation for a sector has failed once and then has recovered at the specific ERP step, this sector of data is automatically reallocated. A media verification sequence may be run prior to the reallocation according to the predefined conditions.

9.14 Power-Up In Standby feature set

The Power-Up In Standby feature set allows devices to be powered-up into the Standby power management state to minimize inrush current at power-up and to allow the host to sequence the spin-up of devices.

This feature set will be enabled/disabled via the SET FEATURES command or use of jumper. When enabled by a jumper, the feature set shall not be disabled via the SET FEATURES command. The enabling of this feature set shall be persistent after power cycle.

A device needs a SET FEATURES subcommand to spin-up to active state when the device has powered up into Standby. The device remains in Standby until the SET FEATURES subcommand is received.

If power-up into Standby is enabled when an IDENTIFY DEVICE is received while the device is in Standby as a result of powering up into Standby, the device shall set word 0 bit 2 to one to indicate that the response is incomplete, only words 0 and 2 are correctly reported.

The IDENTIFY DEVICE information indicates the states as follows:

- identify device information is complete or incomplete
- this feature set is implemented
- this feature set is enabled or disabled
- the device needs the Set Features command to spin-up into active state

9.15 Advanced Power Management feature set (APM)

This feature allows the host to select an advanced power management level. The advanced power management level is a scale from the lowest power consumption setting of 01h to the maximum performance level of FEh. Device performance may increase with increasing advanced power management levels. Device power consumption may increase with increasing advanced power management levels. The advanced power management levels contain discrete bands described in the section of SET FEATURES command in detail. This feature set uses the following functions:

1. A SET FEATURES subcommand to enable Advanced Power Management
2. A SET FEATURES subcommand to disable Advanced Power Management

Advanced Power Management, Automatic Acoustic Management, and the Standby timer setting are independent functions. The device shall enter Standby mode if any of the following are true:

1. The Standby timer has been set and times out
2. Automatic Power Management is enabled and the associated algorithm indicates that the Standby mode should be entered to save power
3. Automatic Acoustic Management is enabled and the associated algorithm indicates that the Standby mode should be entered to reduce acoustical emanations

The IDENTIFY DEVICE response word 83, bit 3 indicates that Advanced Power Management feature is supported if set. Word 86, bit 3 indicates that Advanced Power Management is enabled if set. Word 91, bits 7-0 contains the current Advanced Power Management level if it is enabled.

9.16 Automatic Acoustic Management feature set (AAM)

This feature set allows the host to select an acoustic management level. The acoustic management level may range from the lowest acoustic emanation setting of 01h to the maximum performance level of FEh. Device performance and acoustic emanation may increase with increasing acoustic management levels. The acoustic management levels may contain discrete bands. Automatic Acoustic Management levels 80h and higher do not permit the device to enter Standby mode as a result of the Automatic Acoustic Management algorithm. The Automatic Acoustic Management feature set uses the following functions:

1. A SET FEATURES subcommand to enable Automatic Acoustic Management
2. A SET FEATURES subcommand to disable Automatic Acoustic Management

Advanced Power Management, Automatic Acoustic Management, and the Standby timer setting are independent functions. The device shall enter Standby mode if any of the following are true:

1. The Standby timer has been set and times out.
2. Automatic Power Management is enabled and the associated algorithm indicates that the Standby mode should be entered to save power.
3. Automatic Acoustic Management is enabled and the associated algorithm indicates that the Standby mode should be entered to reduce acoustical emanations.

The IDENTIFY DEVICE response word 83, bit 9 indicates that Automatic Acoustic Management feature is supported if set. Word 86, bit 9 indicates that Automatic Acoustic Management is enabled if set. Word 94, bits 7-0s contains the current Automatic Acoustic Management level if Automatic Acoustic Management is enabled, and bits 8-15 contain the Vendor's recommended AAM level.

9.17 Address Offset Feature

Computer systems perform initial code loading (booting) by reading from a predefined address on a drive. To allow an alternate bootable operating system to exist in a system reserved area on a drive, this feature provides a Set Features function to temporarily offset the drive address space. The offset address space wraps around so that the entire drive address space remains addressable in offset mode. Max LBA in offset mode is set to the end of the system reserved area to protect the data in the user area when operating in offset mode. The Max LBA can be changed by an Set Max Address command to access the user area. If the native MAX LBA is set, the whole user area can be accessed. But any commands which access sectors across the original native maximum LBA are rejected with error, even if this protection is removed by an Set Max Address command.

9.17.1 Enable/Disable Address Offset Mode

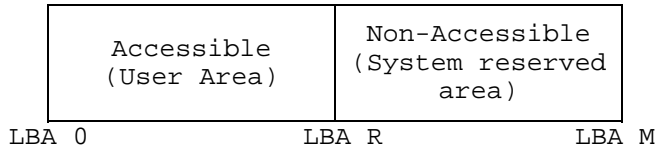
The Set Features subcommand code 09h Enable Address Offset Mode offsets address Cylinder 0, Head 0, Sector 1, LBA 0, to the start of the nonvolatile protected area established using the Set Max Address command. The offset condition is cleared by Subcommand 89h Disable Address Offset Mode, Hardware reset, or Power on Reset. If Reverting to Power on Defaults has been enabled by Set Features command, it is cleared by Soft reset as well. Upon entering offset mode the capacity of the drive returned in the Identify Device data is the size of the former protected area. A subsequent Set Max Address command with the address returned by Read Max Address command allows access to the entire drive. Addresses wrap so the entire drive remains addressable.

If a nonvolatile protected area has not been established before the device receives a Set Features Enable Address Offset Mode command, the command fails with Abort error status.

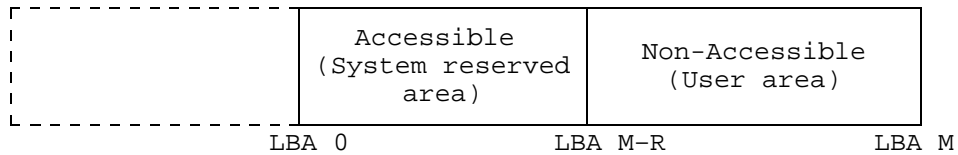
Disable Address Offset Feature removes the address offset and sets the size of the drive reported by the Identify Device command back to the size specified in the last nonvolatile Set Max Address command.

Before Enable Address Offset Mode

A reserved area has been created using a nonvolatile Set Max command.



After Enable Address Offset Mode



After Set Max Address Command using the Value Returned by Read Max Address

Any commands which access sectors across the LBA M-R are aborted with error.

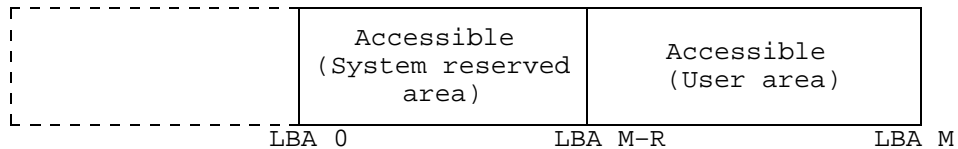


Figure 86. Device address map before and after Set Feature

9.17.2 Identify Device Data

Identify Device data word 83 bit 7 indicates the device supports the Address Offset Feature.

Identify Device data word 86 bit 7 indicates the device is in Address Offset mode.

9.17.3 Exceptions in Address Offset Mode

Any commands which access sectors across the original native maximum LBA are rejected with error even if the access protection is removed by an Set Max Address command.

The Read Look Ahead operation is not carried out even when enabled by Set Feature command.

10.0 Command Protocol

The commands are grouped into different classes according to the protocols followed for command execution. The command classes with their associated protocols are defined below.

For all commands, the host must first check if BSY=1, and should proceed no further unless and until BSY=0. For all commands, the host must also wait for RDY=1 before proceeding.

A device must maintain either BSY=1 or DRQ=1 at all times until the command is completed. The INTRQ signal is used by the device to signal most, but not all, times when the BSY bit is changed from one to zero during command execution.

A command shall only be interrupted with a hardware or software reset. The result of writing to the Command register while BSY=1 or DRQ=1 is unpredictable and may result in data corruption. A command should only be interrupted by a reset at times when the host thinks there may be a problem, such as a device that is no longer responding.

Interrupts are cleared when the host reads the Status Register, issues a reset, or writes to the Command Register.

Figure 160 on page 193 shows the device time-out values.

10.1 PIO Data In commands

These commands are

- Device Configuration Identify
- Identify Device
- Read Buffer
- Read Long
- Read Multiple
- Read Sectors
- S.M.A.R.T. Read Attribute Values
- S.M.A.R.T. Read Attribute Thresholds
- S.M.A.R.T. Read Log Sector

Execution includes the transfer of one or more 512 byte (>512 bytes on Read Long) sectors of data from the device to the host.

1. The host writes any required parameters to the Features, Sector Count, Sector Number, Cylinder, and Device/Head Registers.
2. The host writes the command code to the Command Register.
3. For each sector of data to be transferred
 - a. The device sets BSY=1 and prepares for data transfer.
 - b. When a sector of data is available for transfer to the host, the device sets BSY=0, sets DRQ=1, and interrupts the host.
 - c. In response to the interrupt the host reads the Status Register.
 - d. The device clears the interrupt in response to the Status Register being read.
 - e. The host reads one sector of data via the Data Register.
 - f. The device sets DRQ=0 after the sector has been transferred to the host.
4. For the Read Long command
 - a. The device sets BSY=1 and prepares for data transfer.
 - b. When the sector of data is available for transfer to the host, the device sets BSY=0, sets DRQ=1, and interrupts the host.
 - c. In response to the interrupt the host reads the Status Register.
 - d. The device clears the interrupt in response to the Status Register being read.
 - e. The host reads the sector of data including ECC bytes via the Data Register.
 - f. The device sets DRQ=0 after the sector has been transferred to the host.

The Read Multiple command transfers one block of data for each interrupt. The other commands transfer one sector of data for each interrupt.

Note that the status data for a sector of data is available in the Status Register **before** the sector is transferred to the host.

If the device detects an invalid parameter, it will abort the command by setting BSY=0, ERR=1, ABT=1, and interrupting the host.

If an error occurs, the device will set BSY=0, ERR=1, and DRQ=1. The device will then store the error status in the Error Register and interrupt the host. The registers will contain the location of the sector in error. The errored location will be reported with CHS mode or LBA mode; the mode is decided by mode select bit (bit 6) of Device/Head register on issuing the command.

If an Uncorrectable Data Error (UNC=1) occurs, the defective data will be transferred from the media to the sector buffer and will be available to be transferred to the host at the option of the host. In case of a Read Multiple command the host should complete transfer of the block which includes error from the sector buffer and terminate whatever type of error occurred.

All data transfers to the host through the Data Register are 16 bits, except for the ECC bytes, which are 8 bits.

10.2 PIO Data Out commands

These commands are PIO Data Out commands:

- Device Configuration Set
- Format Track
- Security Disable Password
- Security Erase Unit
- Security Set Password
- Security Unlock
- Set Max Set Password command
- Set Max Unlock command
- SMART Write Log Sector
- Write Buffer
- Write Long
- Write Multiple
- Write Sectors

Execution includes the transfer of one or more 512 byte (>512 bytes on Write Long) sectors of data from the host to the device.

1. The host writes any required parameters to the Features, Sector Count, Sector Number, Cylinder, and Device/Head Registers.
2. The host writes the command code to the Command Register.
3. The device sets BSY=1.
4. For each sector (or block) of data to be transferred:
 - a. The device sets BSY=0 and DRQ=1 when it is ready to receive a sector (or block).
 - b. The host writes one sector (or block) of data via the Data Register.
 - c. The device sets BSY=1 after it has received the sector (or block).
 - d. When the device has finished processing the sector (or block), it sets BSY=0 and interrupts the host.
 - e. In response to the interrupt, the host reads the Status Register.
 - f. The device clears the interrupt in response to the Status Register being read.
5. For the Write Long command:
 - a. The device sets BSY=0 and DRQ=1 when it is ready to receive a sector.
 - b. The host writes one sector of data including ECC bytes via the Data Register.
 - c. The device sets BSY=1 after it has received the sector.
 - d. After processing the sector of data the device sets BSY=0 and interrupts the host.
 - e. In response to the interrupt, the host reads the Status Register.
 - f. The device clears the interrupt in response to the Status Register being read.

The Write Multiple command transfers one block of data for each interrupt. The other commands transfer one sector of data for each interrupt.

If the device detects an invalid parameter, it will abort the command by setting BSY=0, ERR=1, ABT=1, and interrupting the host.

If an uncorrectable error occurs, the device will set BSY=0 and ERR=1, store the error status in the Error Register, and interrupt the host. The registers will contain the location of the sector in error. The errored location will be reported with CHS mode or LBA mode; the mode is decided by mode select bit (bit 6) of Device/Head register on issuing the command.

All data transfers to the device through the Data Register are 16 bits, except for the ECC bytes which are 8 bits.

10.3 Non-data commands

The following are non-data commands:

- Check Power Mode
- Device Configuration Freeze Lock
- Device Configuration Restore
- Execute Device Diagnostic
- Flush Cache
- Idle
- Idle Immediate
- Initialize Device Parameters
- NOP
- Read Native Max Address
- Read Verify Sectors
- Recalibrate
- Security Erase Prepare
- Security Freeze Lock
- Seek
- Set Features
- Set Max Address
- Set MaX Lock command
- Set MaX Freeze Lock command
- Set Multiple Mode
- Sleep
- SMART Disable Operations
- SMART Enable/Disable Attribute Autosave
- SMART Enable Operations
- SMART Execute Off-line Data Collection
- SMART Return Status
- SMART Save Attribute Values
- SMART Enable/Disable Automatic Off Line
- Standby
- Standby Immediate

Execution of these commands involves no data transfer.

1. The host writes any required parameters to the Features, Sector Count, Sector Number, Cylinder, and Device/Head Registers.
2. The host writes the command code to the Command Register.
3. The device sets BSY=1.
4. When the device has finished processing the command, it sets BSY=0 and interrupts the host.
5. In response to the interrupt, the host reads the Status Register.
6. The device clears the interrupt in response to the Status Register being read.

10.4 DMA commands

DMA commands are

- Read DMA
- Write DMA

Data transfers using DMA commands differ in two ways from PIO transfers:

- data transfers are performed using the slave DMA channel
- no intermediate sector interrupts are issued on multisector commands

Initiation of the DMA transfer commands is identical to the Read Sector or Write Sector commands except that the host initializes the slave-DMA channel prior to issuing the command.

The interrupt handler for DMA transfers is different for the following reasons:

- no intermediate sector interrupts are issued on multisector commands
- the host resets the DMA channel prior to reading status from the device

The DMA protocol allows high performance multitasking operating systems to eliminate processor overhead associated with PIO transfers.

1. Host initializes the slave DMA channel
2. Host writes any required parameters to the Features, Sector Count, Sector Number, Cylinder and Device/Head registers.
3. Host writes command code to the Command Register
4. The device sets DMARQ when it is ready to transfer any part of the data.
5. Host transfers the data using the DMA transfer protocol currently in effect.
6. When all of the data has been transferred, the device generates an interrupt to the host.
7. Host resets the slave DMA channel.
8. Host reads the Status Register and optionally the Error Register.

10.5 DMA queued commands

DMA queued commands are

- Read DMA Queued
- Service
- Write DMA Queued

1. Command Issue

- a. The host writes any required parameters to the Features, Sector Count, Sector Number, Cylinder, and Device/Head registers.
- b. The host writes command code to the Command Register.
- c. The device sets BSY.
- d. The device clears or sets REL.
- e. The device clears BSY.

2. Data Transfer and Command Completion. If the device is ready for data transfer (REL is cleared),

- a. the host transfers the data for the command identified by the Tag number using the DMA transfer protocol currently in effect.
- b. the device generates an interrupt to the host when all of the data has been transferred.
- c. the host may issue another command or wait for service request from the device.

3. Bus Release. If the device is not ready for data transfer (REL is set),

- a. the device generates an interrupt if release interrupt is enabled.
- b. the host may issue another command or wait for service request from the device.

11.0 Command descriptions

Pro- to- col	Command	Code (Hex)	Binary Code Bit 7 6 5 4 3 2 1 0
3	Check Power Mode	E5	1 1 1 0 0 1 0 1
3	Check Power Mode*	98	1 0 0 1 1 0 0 0
3	Device Configuration Restore	B1	1 0 0 1 1 0 0 1
3	Device Configuration Freeze Lock	B1	1 0 0 1 1 0 0 1
1	Device Configuration Identity	B1	1 0 0 1 1 0 0 1
2	Device Configuration Set	B1	1 0 0 1 1 0 0 1
3	Execute Device Diagnostic	90	1 0 0 1 0 0 0 0
3	Flush Cache	E7	1 1 1 0 0 1 1 1
2	Format Track	50	0 1 0 1 0 0 0 0
1	Identify Device	EC	1 1 1 0 1 1 1 0
3	Idle	E3	1 1 1 0 0 0 1 1
3	Idle*	97	1 0 0 1 0 1 1 1
3	Idle Immediate	E1	1 1 1 0 0 0 0 1
3	Idle Immediate*	95	1 0 0 1 0 1 0 1
3	Initialize Device Parameters	91	1 0 0 1 0 0 0 1
3	NOP	00	0 0 0 0 0 0 0 0
1	Read Buffer	E4	1 1 1 0 0 1 0 0
4	Read DMA	C8	1 1 0 0 1 0 0 0
4	Read DMA	C9	1 1 0 0 1 0 0 1
5	Read DMA Queued	C7	1 1 0 0 0 1 1 1
1	Read Long	22	0 0 1 0 0 0 1 0
1	Read Long	23	0 0 1 0 0 0 1 1
1	Read Multiple	C4	1 1 0 0 0 1 0 0
3	Read Native Max Address	F8	1 1 1 1 1 0 0 0
1	Read Sectors	20	0 0 1 0 0 0 0 0
1	Read Sectors	21	0 0 1 0 0 0 0 1
3	Read Verify Sectors	40	0 1 0 0 0 0 0 0
3	Read Verify Sectors	41	0 1 0 0 0 0 0 1
3	Recalibrate	1x	0 0 0 1 - - - -
2	Security Disable Password	F6	1 1 1 1 1 0 1 0
3	Security Erase Prepare	F3	1 1 1 1 0 0 1 1
2	Security Erase Unit	F4	1 1 1 1 0 1 0 0
3	Security Freeze Lock	F5	1 1 1 1 0 1 0 1
2	Security Set Password	F1	1 1 1 1 0 0 0 1
2	Security Unlock	F2	1 1 1 1 0 0 1 0
3	Seek	7x	0 1 1 1 - - - -
5	Service	A2	1 0 1 0 0 0 1 0
3	Set Features	EF	1 1 1 0 1 1 1 1
3	Set Max Address	F9	1 1 1 1 1 0 0 1
3	Set Multiple Mode	C6	1 1 0 0 0 1 1 0

Commands marked * are alternate command codes for the previously defined command.

Figure 87. Command set (1 of 2)

See next page for list of Protocol definitions.

Pro- tocol	Command	Code (Hex)	Binary Code Bit
			7 6 5 4 3 2 1 0
3	Sleep	E6	1 1 1 0 0 1 1 0
3	Sleep*	99	1 0 0 1 1 0 0 1
3	SMART Disable Operations	B0	1 0 1 1 0 0 0 0
3	SMART Enable/Disable Attribute Autosave	B0	1 0 1 1 0 0 0 0
3	SMART Enable Operations	B0	1 0 1 1 0 0 0 0
3	SMART Execute Off-line Data Collection	B0	1 0 1 1 0 0 0 0
1	SMART Read Attribute Values	B0	1 0 1 1 0 0 0 0
1	SMART Read Attribute Thresholds	B0	1 0 1 1 0 0 0 0
3	SMART Return Status	B0	1 0 1 1 0 0 0 0
3	SMART Save Attribute Values	B0	1 0 1 1 0 0 0 0
2	SMART Write Log Sector	B0	1 0 1 1 0 0 0 0
3	SMART Enable/Disable Automatic Off-line	B0	1 0 1 1 0 0 0 0
3	Standby	E2	1 1 1 0 0 0 1 0
3	Standby*	96	1 0 0 1 0 1 1 0
3	Standby Immediate	E0	1 1 1 0 0 0 0 0
3	Standby Immediate*	94	1 0 0 1 0 1 0 0
2	Write Buffer	E8	1 1 1 0 1 0 0 0
4	Write DMA (retry)	CA	1 1 0 0 1 0 1 0
4	Write DMA (no retry)	CB	1 1 0 0 1 0 1 1
5	Write DMA Queued	CC	1 1 0 0 1 1 0 0
2	Write Long (retry)	32	0 0 1 1 0 0 1 0
2	Write Long (no retry)	33	0 0 1 1 0 0 1 1
2	Write Multiple	C5	1 1 0 0 0 1 0 1
2	Write Sectors (retry)	30	0 0 1 1 0 0 0 0
2	Write Sectors (no retry)	31	0 0 1 1 0 0 0 1

Protocol:

- 1 - PIO data IN command
- 2 - PIO data OUT command
- 3 - Non data command
- 4 - DMA command
- 5 - DMA queued command
- + - Vendor specific command

Commands marked * are alternate command codes for previously defined commands.

Figure 88. Command set (2 of 2)

Command (Subcommand)	Command code (Hex)	Feature Register (Hex)
(S.M.A.R.T Function)		
SMART Read Attribute Values	B0	D0
SMART Read Attribute Thresholds	B0	D1
SMART Enable/Disable Attribute Autosave	B0	D2
SMART Save Attribute Values	B0	D3
SMART Execute Off-line Data Collection	B0	D4
SMART Read Log	B0	D5
SMART Write Log	B0	D6
SMART Enable Operations	B0	D8
SMART Disable Operations	B0	D9
SMART Return Status	B0	DA
SMART Enable/Disable Automatic Off-line	B0	DB
(Set Features)		
Enable Write Cache	EF	02
Set Transfer Mode	EF	03
Enable Advanced Power Management	EF	05
Enable Power-up in Standby Feature Set	EF	06
Power-up in Standby Feature Set Device Spin-up	EF	07
Enable Address Offset Mode	EF	09
Enable Automatic Acoustic Management	EF	42
52 bytes of ECC apply on Read/Write Long	EF	44
Disable read look-ahead feature	EF	55
Enable release interrupt	EF	5D
Disable reverting to power on defaults	EF	66
Disable write cache	EF	82
Disable Advanced Power Management	EF	85
Disable Power-up in Standby Feature Set	EF	86
Disable Address Offset Mode	EF	89
Enable read look-ahead feature	EF	AA
4 bytes of ECC apply on Read/Write Long	EF	BB
Disable Automatic Acoustic Management	EF	C2
Enable reverting to power on defaults	EF	CC
Disable release interrupt	EF	DD

Figure 89. Command set (Subcommands)

Figure 87 beginning on page 103 shows the commands that are supported by the device. Figure 89 shows the subcommands that are supported by each command or feature.

The following symbols are used in the command descriptions:

Output Registers

- 0** Indicates that the bit must be set to zero.
- 1** Indicates that the bit must be set to one.
- D** The device number bit. Indicates that the device number bit of the Device/Head Register should be specified. Zero selects the master device and one selects the slave device.
- H** Head number. Indicates that the head number part of the Device/Head Register is an output parameter and should be specified.

- L** LBA mode. Indicates the addressing mode. Zero specifies CHS mode and one specifies LBA addressing mode.
- R** Retry. Original meaning is obsoleted, there is no difference between 0 and 1. (Use of 0 is recommended for future compatibility.)
- B** Option Bit. Indicates that the Option Bit of the Sector Count Register should be specified. (This bit is used by Set Max Address command)
- V** Valid. Indicates that the bit is part of an output parameter and should be specified.
- x** Indicates that the hex character is not used.
- Indicates that the bit is not used.

Input Registers

- 0** Indicates that the bit is always set to zero.
- 1** Indicates that the bit is always set to one.
- H** Head number. Indicates that the head number part of the Device/Head Register is an input parameter and will be set by the device.
- V** Valid. Indicates that the bit is part of an input parameter and will be set to zero or one by the device.
- Indicates that the bit is not part of an input parameter.

The command descriptions show the contents of the Status and Error Registers after the device has completed processing the command and has interrupted the host.

11.1 Check Power Mode (E5h/98h)

Command Block Output Registers								Command Block Input Registers									
Register	7	6	5	4	3	2	1	0	Register	7	6	5	4	3	2	1	0
Data	-	-	-	-	-	-	-	-	Data	-	-	-	-	-	-	-	-
Feature	-	-	-	-	-	-	-	-	Error	see below							
Sector Count	-	-	-	-	-	-	-	-	Sector Count	V	V	V	V	V	V	V	V
Sector Number	-	-	-	-	-	-	-	-	Sector Number	-	-	-	-	-	-	-	-
Cylinder Low	-	-	-	-	-	-	-	-	Cylinder Low	-	-	-	-	-	-	-	-
Cylinder High	-	-	-	-	-	-	-	-	Cylinder High	-	-	-	-	-	-	-	-
Device/Head	1	-	1	D	-	-	-	-	Device/Head	-	-	-	-	-	-	-	-
Command	1	1	1	0	0	1	0	1	Status	see below							

Error Register							
7	6	5	4	3	2	1	0
CRC	UNC	0	IDN	0	ABT	T0N	AMN
0	0	0	0	0	V	0	0

Status Register							
7	6	5	4	3	2	1	0
BSY	RDY	DF	DSC	DRQ	COR	IDX	ERR
0	V	0	-	-	0	-	V

Figure 90. Check Power Mode Command (E5h/98h)

The Check Power Mode command reports whether the device is spun up and the media is available for immediate access.

Input parameters from the device

- Sector** The power mode code. The command returns FFh in the Sector Count Register if the spindle motor is at speed and the drive is not in Standby or Sleep mode. Otherwise, the Sector Count Register will be set to zero.

11.2 Device Configuration Overlay (B1h)

Command Block Output Registers								Command Block Input Registers									
Register	7	6	5	4	3	2	1	0	Register	7	6	5	4	3	2	1	0
Data	-	-	-	-	-	-	-	-	Data	-	-	-	-	-	-	-	-
Feature	1	0	1	0	V	V	V	V	Error	see below							
Sector Count	-	-	-	-	-	-	-	-	Sector Count	V	V	V	V	V	V	V	V
Sector Number	-	-	-	-	-	-	-	-	Sector Number	-	-	-	-	-	-	-	-
Cylinder Low	-	-	-	-	-	-	-	-	Cylinder Low	V	V	V	V	V	V	V	V
Cylinder High	-	-	-	-	-	-	-	-	Cylinder High	V	V	V	V	V	V	V	V
Device/Head	-	-	-	D	-	-	-	-	Device/Head	-	-	-	-	-	-	-	-
Command	1	0	1	1	0	0	0	1	Status	see below							

Error Register							
7	6	5	4	3	2	1	0
CRC	UNC	0	IDN	0	ABT	T0N	AMN
0	0	0	0	0	V	0	0

Status Register							
7	6	5	4	3	2	1	0
BSY	RDY	DF	DSC	DRQ	COR	IDX	ERR
V	V	V	-	V	-	-	V

Figure 91. Check Power Mode Command (E5h/98h)

Individual Device Configuration Overlay feature set commands are identified by the value placed in the Features register. The table below shows these Features register values.

Value	Command
C0h	DEVICE CONFIGURATION RESTORE
C1h	DEVICE CONFIGURATION FREEZE LOCK
C2h	DEVICE CONFIGURATION IDENTIFY
C3h	DEVICE CONFIGURATION SET
other	Reserved

Figure 92. Device Configuration Overlay Features register values

11.2.1 DEVICE CONFIGURATION RESTORE (subcommand C0h)

The DEVICE CONFIGURATION RESTORE command disables any setting previously made by a DEVICE CONFIGURATION SET command and returns the content of the IDENTIFY DEVICE or IDENTIFY PACKET DEVICE command response to the original settings as indicated by the data returned from the execution of a DEVICE CONFIGURATION IDENTIFY command.

11.2.2 DEVICE CONFIGURATION FREEZE LOCK (subcommand C1h)

The DEVICE CONFIGURATION FREEZE LOCK command prevents accidental modification of the Device Configuration Overlay settings. After successful execution of a DEVICE CONFIGURATION FREEZE LOCK command, all DEVICE CONFIGURATION SET, DEVICE CONFIGURATION FREEZE LOCK, DEVICE CONFIGURATION IDENTIFY, and DEVICE CONFIGURATION RESTORE commands are aborted by the device. The DEVICE CONFIGURATION FREEZE LOCK condition shall be cleared by a power-down. The DEVICE CONFIGURATION FREEZE LOCK condition shall not be cleared by hardware or software reset.

11.2.3 DEVICE CONFIGURATION IDENTIFY (subcommand C2h)

The DEVICE CONFIGURATION IDENTIFY command returns a 512 byte data structure via PIO data-in transfer. The content of this data structure indicates the selectable commands, modes, and feature sets that the device is capable of supporting. If a DEVICE CONFIGURATION SET command has been issued reducing the capabilities, the response to an IDENTIFY DEVICE or IDENTIFY PACKET DEVICE command will reflect the reduced set of capabilities, while the DEVICE CONFIGURATION IDENTIFY command will reflect the entire set of selectable capabilities.

The format of the Device Configuration Overlay data structure is shown on the next page.

11.2.4 DEVICE CONFIGURATION SET (subcommand C3h)

The DEVICE CONFIGURATION SET command allows a device manufacturer or a personal computer system manufacturer to reduce the set of optional commands, modes, or feature sets supported by a device as indicated by a DEVICE CONFIGURATION IDENTIFY command. The DEVICE CONFIGURATION SET command transfers an overlay that modifies some of the bits set in words 63, 82, 83, 84, and 88 of the IDENTIFY DEVICE command response. When the bits in these words are cleared, the device no longer supports the indicated command, mode, or feature set. If a bit is set in the overlay transmitted by the device that is not set in the overlay received from a DEVICE CONFIGURATION IDENTIFY command, no action is taken for that bit.

The format of the overlay transmitted by the device is described in the table at next page. The restrictions on changing these bits is described in the text following that table. If any of the bit modification restrictions described are violated or any setting is changed with DEVICE CONFIGURATION SET command, the device shall return command aborted. In that case, an error reason code is returned to sector count register, an invalid word location is returned to cylinder high register, and an invalid bit location is returned to cylinder low register. The Definition of error information is shown at next page.

ERROR INFORMATION EXAMPLE 1:

After establishing a protected area with SET MAX address, if a user attempts to change maximum LBA address (DEVICE CONFIGURATION SET or DEVICE CONFIGURATION RESTORE), the device aborts that command and returns one of the error reason codes listed below.

Cylinder high	03h	= word 3 is invalid
Cylinder low	00h	this register is not assigned in this case
Sector count	06h	= Protected area is now established

ERROR INFORMATION EXAMPLE 2:

When the device is enabled and the Security feature is set, if the user attempts to disable that feature, the device aborts that command and returns one of the error reason codes listed below.

Cylinder high	07h	= word 7 is invalid
Cylinder low	03h	= bit 3 is invalid
Sector count	04h	= now Security feature set is enabled

Word	Content	
0	0001h	Data Structure revision
1	Multiword DMA modes supported	
	15-3	Reserved
	2	1 = Multiword DMA mode 2 and below are supported
	1	1 = Multiword DMA mode 1 and below are supported
	0	1 = Multiword DMA mode 0 is supported
2	Ultra DMA modes supported	
	15-6	Reserved
	5	1 = Ultra DMA mode 5 and below are supported
	4	1 = Ultra DMA mode 4 and below are supported
	3	1 = Ultra DMA mode 3 and below are supported
	2	1 = Ultra DMA mode 2 and below are supported
	1	1 = Ultra DMA mode 1 and below are supported
	0	1 = Ultra DMA mode 0 is supported
3-6	Maximum LBA address	
7	Command set/feature set supported	
	15-8	Reserved
	7	1 = Host Protected Area feature set supported
	6-4	Reserved
	3	1 = Security feature set supported
	2	1 = SMART error log supported
	1	1 = SMART self-test supported
	0	1 = SMART feature set supported
8-254	Reserved	
255	Integrity word (see note below)	
	15-8	Checksum
	7-0	Signature (A5h)

Figure 93. Device Configuration Overlay Data structure

Note: Bits 7–0 of this word contain the value A5h. Bits 15–8 of this word contain the data structure checksum. The data structure checksum is the two's complement of the sum of all byte in words 0 through 254 and the byte consisting of bits 7–0 of word 255. Each byte is added with unsigned arithmetic and overflow is ignored. The sum of all bytes is zero when the checksum is correct.

Cylinder high	Invalid word location	
Cylinder low	Invalid bit location	
Sector count	Error reason code & description	
	01h	DCO feature is frozen
	02h	Device is now Security Locked mode
	03h	Device feature is already modified with DCO
	04h	User attempt to disable any feature enabled
	05h	Device is now SET MAX Locked or Frozen mode
	06h	Protected area is now established
	07h	DCO is not supported
	08h	Subcommand code is invalid
	FFh	other reason

Figure 94. DCO error information definition

11.3 Execute Device Diagnostic (90h)

Command Block Output Registers								Command Block Input Registers									
Register	7	6	5	4	3	2	1	0	Register	7	6	5	4	3	2	1	0
Data	-	-	-	-	-	-	-	-	Data	-	-	-	-	-	-	-	-
Feature	-	-	-	-	-	-	-	-	Error	see below							
Sector Count	-	-	-	-	-	-	-	-	Sector Count	-	-	-	-	-	-	-	-
Sector Number	-	-	-	-	-	-	-	-	Sector Number	-	-	-	-	-	-	-	-
Cylinder Low	-	-	-	-	-	-	-	-	Cylinder Low	-	-	-	-	-	-	-	-
Cylinder High	-	-	-	-	-	-	-	-	Cylinder High	-	-	-	-	-	-	-	-
Device/Head	1	-	1	-	-	-	-	-	Device/Head	-	-	-	-	-	-	-	-
Command	1	0	0	1	0	0	0	0	Status	see below							

Error Register							
7	6	5	4	3	2	1	0
CRC	UNC	0	IDN	0	ABT	T0N	AMN
V	V	V	V	V	V	V	V

Status Register							
7	6	5	4	3	2	1	0
BSY	RDY	DF	DSC	DRQ	COR	IDX	ERR
0	V	0	-	-	0	-	0

Figure 95. Execute Device Diagnostic Command (90h)

The Execute Device Diagnostic command performs the internal diagnostic tests implemented by the device. The results of the test are stored in the Error Register.

The normal Error Register bit definitions do not apply to this command. Instead, the register contains a diagnostic code. See Figure 73 on page 70 for the definition.

11.4 Flush Cache (E7h)

Command Block Output Registers								Command Block Input Registers									
Register	7	6	5	4	3	2	1	0	Register	7	6	5	4	3	2	1	0
Data	-	-	-	-	-	-	-	-	Data	-	-	-	-	-	-	-	-
Feature	-	-	-	-	-	-	-	-	Error	see below							
Sector Count	-	-	-	-	-	-	-	-	Sector Count	-	-	-	-	-	-	-	-
Sector Number	-	-	-	-	-	-	-	-	Sector Number	-	-	-	-	-	-	-	-
Cylinder Low	-	-	-	-	-	-	-	-	Cylinder Low	-	-	-	-	-	-	-	-
Cylinder High	-	-	-	-	-	-	-	-	Cylinder High	-	-	-	-	-	-	-	-
Device/Head	1	-	1	D	-	-	-	-	Device/Head	-	-	-	-	-	-	-	-
Command	1	1	1	0	0	1	1	1	Status	see below							

Error Register							
7	6	5	4	3	2	1	0
CRC	UNC	0	IDN	0	ABT	T0N	AMN
0	0	0	0	0	V	0	0

Status Register							
7	6	5	4	3	2	1	0
BSY	RDY	DF	DSC	DRQ	COR	IDX	ERR
0	V	0	V	-	0	-	V

Figure 96. Flush Cache Command (E7h)

This command causes the device to complete writing data from its cache.

The device returns good status after data in the write cache is written to disk media.

11.5 Format Track (50h)

Command Block Output Registers								Command Block Input Registers									
Register	7	6	5	4	3	2	1	0	Register	7	6	5	4	3	2	1	0
Data	-	-	-	-	-	-	-	-	Data	-	-	-	-	-	-	-	-
Feature	-	-	-	-	-	-	-	-	Error	see below							
Sector Count	-	-	-	-	-	-	-	-	Sector Count	-	-	-	-	-	-	-	-
Sector Number	V	V	V	V	V	V	V	V	Sector Number	V	V	V	V	V	V	V	V
Cylinder Low	V	V	V	V	V	V	V	V	Cylinder Low	V	V	V	V	V	V	V	V
Cylinder High	V	V	V	V	V	V	V	V	Cylinder High	V	V	V	V	V	V	V	V
Device/Head	1	L	1	D	H	H	H	H	Device/Head	-	-	-	-	H	H	H	H
Command	0	1	0	1	0	0	0	0	Status	see below							

Error Register							
7	6	5	4	3	2	1	0
CRC	UNC	0	IDN	0	ABT	T0N	AMN
0	0	0	V	0	V	0	0

Status Register							
7	6	5	4	3	2	1	0
BSY	RDY	DF	DSC	DRQ	COR	IDX	ERR
0	V	V	V	-	0	-	V

Figure 97. Format Track Command (50h)

The Format Track command formats a single logical track on the device. Each good sector of data on the track will be initialized to zero with write operation. At this time the sector of data is not verified with read operation whether the sector of data is initialized correctly. Any data previously stored on the track will be lost.

The host may transfer a sector of data containing a format table to the device. But the device ignores the format table and writes zero to all sectors on the track regardless of the descriptors.

Since device performance is optimal at 1:1 interleave and the device uses relative block addressing internally, the device will always format a track in the same way no matter what sector numbering is specified in the format table.

Output parameters to the device

Sector Number In LBA mode this register specifies the formatting of LBA address bits 0-7. (L=1)

Cylinder High/Low The cylinder number of the track to be formatted. (L=0)
In LBA mode this register specifies the formatting of LBA address bits 8-15 (Low), 16-23 (High). (L=1)

H The head number of the track to be formatted. (L=0)
In LBA mode this register specifies the formatting of LBA address bits 24-27. (L=1)

Input parameters from the device

Sector Number	In LBA mode this register specifies current LBA address bits 0-7. (L=1)
Cylinder High/Low	In LBA mode this register specifies current LBA address bits 8-15 (Low), 16-23 (High).
H	In LBA mode this register specifies current LBA address bits 24-27. (L=1)
Error	The Error Register. An Abort error (ABT=1) will be returned when LBA is out of range.

In LBA mode this command formats a single logical track including the specified LBA.

11.6 Format Unit (F7h)

Command Block Output Registers								Command Block Input Registers									
Register	7	6	5	4	3	2	1	0	Register	7	6	5	4	3	2	1	0
Data	-	-	-	-	-	-	-	-	Data	-	-	-	-	-	-	-	-
Feature	0	0	0	1	0	0	0	1	Error	see below							
Sector Count	-	-	-	-	-	-	-	-	Sector Count	-	-	-	-	-	-	-	-
Sector Number	-	-	-	-	-	-	-	-	Sector Number	-	-	-	-	-	-	-	-
Cylinder Low	-	-	-	-	-	-	-	-	Cylinder Low	-	-	-	-	-	-	-	-
Cylinder High	-	-	-	-	-	-	-	-	Cylinder High	-	-	-	-	-	-	-	-
Device/Head	1	L	1	D	-	-	-	-	Device/Head	-	-	-	-	-	-	-	-
Command	1	1	1	1	0	1	1	1	Status	see below							

Error Register							
7	6	5	4	3	2	1	0
CRC	UNC	0	IDN	0	ABT	T0N	AMN
0	V	0	V	0	V	0	V

Status Register							
7	6	5	4	3	2	1	0
BSY	RDY	DF	DSC	DRQ	COR	IDX	ERR
0	V	V	V	0	0	-	V

Figure 98. Format Unit Command (F7h)

The Format Unit command initializes all user data sectors after merging reassigned sector location into the defect information of the device and clearing the reassign information. Both new reassign information and new defect information are available immediately after command completion of this command and are used at next power-on reset or hard reset. Previous information of reassign and defect are erased from the device by executing this command.

Note that the Format Unit command initializes from LBA 0 to Native MAX LBA regardless of the setting by the Initialize Device Parameter (91h) command or the Set Max Address (F9h) command, so that the protected area defined by these commands is also initialized.

Security Erase Prepare (F3h) command should be completed just prior to the Format Unit command. If the device receives a Format Unit command without a prior Security Erase Prepare command the device aborts the Format Unit command.

All values in Feature register are reserved and any values other than 11h should not be put into Feature register.

This command does not request a data transfer.

Command execution time depends on drive capacity.

To determine the command time-out value, refer to Word 89 of Identify Device data.

11.7 Identify Device (ECh)

Command Block Output Registers								Command Block Input Registers									
Register	7	6	5	4	3	2	1	0	Register	7	6	5	4	3	2	1	0
Data	-	-	-	-	-	-	-	-	Data	-	-	-	-	-	-	-	-
Feature	-	-	-	-	-	-	-	-	Error	see below							
Sector Count	-	-	-	-	-	-	-	-	Sector Count	-	-	-	-	-	-	-	-
Sector Number	-	-	-	-	-	-	-	-	Sector Number	-	-	-	-	-	-	-	-
Cylinder Low	-	-	-	-	-	-	-	-	Cylinder Low	-	-	-	-	-	-	-	-
Cylinder High	-	-	-	-	-	-	-	-	Cylinder High	-	-	-	-	-	-	-	-
Device/Head	1	-	1	D	-	-	-	-	Device/Head	-	-	-	-	-	-	-	-
Command	1	1	1	0	1	1	0	0	Status	see below							

Error Register							
7	6	5	4	3	2	1	0
CRC	UNC	0	IDN	0	ABT	T0N	AMN
0	0	0	0	0	V	0	0

Status Register							
7	6	5	4	3	2	1	0
BSY	RDY	DF	DSC	DRQ	COR	IDX	ERR
0	V	0	-	-	0	-	V

Figure 99. Identify Device Command (ECh)

The Identify Device command requests the device to transfer configuration information to the host. The device will transfer a sector to the host containing the information described in the figure below.

*Note: * in the Content field indicates vendor specific use of those parameters.*

Word	Content	Description
00	045AH or 045EH	Drive classification, bit assignments: 15(=0): 1=ATAPI device, 0=ATA device 14- 8 : retired 7(=0): 1=removable cartridge drive 6(=1): 1=fixed drive 5- 3 : retired 2(=0): 1=soft sectoring 1 : retired 0(=0): Reserved
01	XXXXH	Number of cylinders in default translate mode
02	37CBH	Specific Configuration 37CBH: Need Set Feature for spin-up after power-up Identify Device is incomplete
03	00XXH	Number of heads in default translate mode
04	0	• Reserved
05	0	• Reserved
06	003FH	Number of sectors per track in default translate mode
07	0000H	• Number of bytes of sector gap
08	0000H	• Number of bytes in sync field
09	0000H	• Reserved
10-19	XXXX	Serial number in ASCII (0 = not specified)
20	0003H	• Controller type: 0003: dual ported, multiple sector buffer with look-ahead read
21	XXXXH	• Buffer size in 512-byte increments
22	0028H	• Number of ECC bytes (Vendor unique length is selected via set feature cmd)
23-26	XXXX	Microcode version in ASCII
27-46	XXXX	Model number in ASCII
47	8010H	15-8 80h 7-0 Maximum number of sectors that can be transferred per interrupt on Read and Write Multiple commands
48	0000H	Reserved
49	XF00H	Capabilities, bit assignments: 15-14 (=0) Reserved 13 Standby timer (=1) values as specified in ATA standard are supported (=0) values are vendor specific 12 (=0) Reserved 11 (=1) IORDY supported 10 (=1) IORDY can be disabled 9 (=1) Reserved 8 (=0) Reserved • 7-0 (=0) Reserved

Figure 100. Identify Device Information (part 1 of 6)

Word	Content	Description
50	4000H	Capabilities, bit assignments: 15-14(=01) Word 50 is valid 13- 1(=0) Reserved 0 Minimum value of Standby timer (=0) less than 5 minutes (=1) equal to or greater than 5 minutes
51	0200H	PIO data transfer cycle timing mode
52	0200H	DMA data transfer cycle timing mode. Refer to Word 62 and 63
53	0007H	Validity flag of the word 15-3(=0) Reserved 2(=1) 1=Word 88 are Valid 1(=1) 1=Word 64-70 are Valid 0(=1) 1=Word 54=58 are Valid
54	XXXXH	Number of current cylinders
55	XXXXH	Number of current heads
56	XXXXH	Number of current sectors per track
57-58	XXXXH	Current capacity in sectors. Word 57 specifies the low word of the capacity
59	0XXXH	Current Multiple setting. Bit assignments: 15-9 (=0) Reserved 8 1= Multiple Sector Setting is Valid 7-0 xxh = Current setting for number of sectors
60-61	XXXXH	Total Number of User Addressable Sectors. Word 60 specifies the low word of the number
62	0000H	
63	XX07H	Multiword DMA Transfer Capability 15-8 Multiword DMA transfer mode active 7-0 (=7) Multiword DMA transfer modes supported (support mode 0.1 and 2)
64	0003H	Flow Control PIO Transfer Modes Supported 15-8 (=0) Reserved 7-0 (=3) Advanced PIO Transfer Modes Supported '11' = PIO Mode 3 and 4 Supported
65	0078H	Minimum Multiword DMA Transfer Cycle Time Per Word 15-0 (=78) Cycle time in nanoseconds (120ns, 16.6MB/s)
66	0078H	Manufacturer's Recommended Multiword DMA Transfer Cycle Time 15-0 (=78) Cycle time in nanoseconds (120ns, 16.6MB/s)
67	00F0H	Minimum PIO Transfer Cycle Time Without Flow Control 15-0 (=F0) Cycle time in nanoseconds (240ns, 8.3MB/s)
68	0078H	Minimum PIO Transfer Cycle Time With IORDY Flow Control 15-0 (=78) Cycle time in nanoseconds (120ns, 16.6MB/s)
69-74	0000H	Reserved

Figure 101. Identify Device Information (part 2 of 6)

Word	Content	Description
75	00XXH	Queue depth 15- 5 Reserved 4- 0 Maximum queue depth
76-79	0000H	Reserved
80	003CH	Major version number 15- 0 (=3C)ATA-2, ATA-3, ATA/ATAPI-4, ATA/ATAPI-5
81	0015H	Minor version number 15- 0 (=15)ATA/ATAPI-5 X3T13 1321D
82	74EBH	Command set supported 15(=0) Reserved 14(=1) NOP command 13(=1) READ BUFFER command 12(=1) WRITE BUFFER command 11(=0) Reserved 10(=1) Host Protected Area feature set 9(=0) DEVICE RESET command 8(=0) SERVICE interrupt 7(=1) RELEASE interrupt 6(=1) LOOK AHEAD 5(=1) WRITE CACHE 4(=0) PACKET Command feature set 3(=1) Power management feature set 2(=0) Removable feature set 1(=1) Security feature set 0(=1) SMART feature set
83	5BEAH	Command set supported 15-14 Word 83 is valid 13 (=0) Reserved 12 (=1) FLUSH CACHE command supported 11 (=1) Device Configuration Overlay command supported 10 Reserved 9 (=1) Automatic Acoustic mode 8 (=1) SET Max Security extension 7 (=1) Set Features Address Offset feature mode 6 (=1) SET FEATURES subcommand required to spin-up 5 (=1) Power-Up In Standby feature set supported 4 (=0) Removable Media Status Notification feature 3 (=1) Advanced Power management feature set 2 (=0) CFA feature set 1 (=1) READ/WRITE DMA QUEUED 0 (=0) DOWNLOAD MICROCODE command
84	4000H	Command set/feature supported extension 15-14 Word 84 is valid 13- 0 Reserved

Figure 102. Identify Device Information (part 3 of 6)

Word	Content	Description
85	XXXXH	Command set/feature enabled 15 Reserved 14 NOP command 13 READ BUFFER command 12 WRITE BUFFER command 11 Reserved 10 Host Protected Area feature set 9 DEVICE RESET command 8 SERVICE interrupt 7 RELEASE interrupt 6 LOOK AHEAD 5 WRITE CACHE 4 PACKET Command feature set 3 Power management feature set 2 Removable feature set 1 Security feature set 0 SMART feature set
86	XXXXH	Command set/feature enabled 15-13 Reserved 12 FLUSH CACHE command supported 11 Device Configuration Overlay command enabled 10 Reserved 9 Automatic Acoustic Management enabled 8 Set Max Security extensions enabled 7 Set Features Address Offset mode 6 Set Features subcommand required to spin-up after power-up 5 Power-Up In Standby feature set enabled 4 Removable Media Status Notification feature 3 Advanced Power management feature set 2 CFA feature set 1 READ/WRITE DMA QUEUED 0 DOWNLOAD MICROCODE command
87	4000H	Command set/feature default 15-14 (=01)Word 87 is valid 13- 0 (=0)Reserved
88	0X3FH	Ultra DMA transfer modes 15- 8 (=xx) Current active Ultra DMA transfer mode 15-14 Reserved (=0) 13 Mode 5 1= Active 0= Not Active 12 Mode 4 1= Active 0= Not Active 11 Mode 3 1= Active 0= Not Active 10 Mode 2 1= Active 0= Not Active 9 Mode 1 1= Active 0= Not Active 8 Mode 0 1= Active 0= Not Active 7- 0 (=3F) Ultra DMA transfer mode supported 7-6 Reserved (=0) 5 Mode 5 1= Support 4 Mode 4 1= Support 3 Mode 3 1= Support 2 Mode 2 1= Support 1 Mode 1 1= Support 0 Mode 0 1= Support

Figure 103. Identify Device Information (part 4 of 6)

Word	Content	Description
89	XXXXH	Time required for Security Erase Unit completion Time = value x 2 (minutes)
90	0000H	Time required for Enhanced Security Erase completion
91	0000H	Current advanced power management value
92	FFFEH	Master Password Revision Code
93	XXXXH	Hardware reset result. Bit assignments 15-14 (=01) Word 93 is valid 13 CBLID- status 1= Above Vih 0= Below Vil 12- 8 Dev 1 H/W reset result 12 Reserved 11 PDIAG- assertion 1= assert 0= not assert 10- 9 How to determine the device number 00=Reserved 01=Jumper 10=CSEL signal 11=Some other method 8 Shall be set to one if Dev 1 7- 0 Dev 0 H/W reset result 7 Reserved 6 Respond for Dev 1. 1= resp. 0= not resp. 5 DASP- detection. 1= detect 0= not detect 4 PDIAG- detection. 1= detect 0= not detect 3 Device 0 diag. 1= pass 0= fail 2-1 How to determine the device number 00=Reserved 01=Jumper 10=CSEL signal 11=Some other method 0 Shall be set to one if Dev 0
94	XXXXH	Current Advanced power management value 15- 8 Recommended Acoustic Management level 7- 0 Current Acoustic Management level
95-126	0000H	Reserved
127	0000H	Removable Media Status Notification feature set 0000H = Not supported
128	XXXXH	Device Lock Function. Bit assignments 15- 9 Reserved 8 Security Level 1= Maximum, 0= High 7- 6 Reserved 5 Enhanced erase 1= Support 4 Expire 1= Expired 3 Freeze 1= Frozen 2 Lock 1= Locked 1 Enable/Disable 1= Enable 0 Capability 1= Support

Figure 104. Identify Device Information (part 5 of 6)

Word	Content	Description
129	XXXXH •	Current Set Feature Option. Bit assignments 15- 4 Reserve 3 Auto reassign 1= Enable 2 Reverting 1= Enable 1 Read Look-ahead 1= Enable 0 Write Cache 1= Enable
130-159	XXXXH •	Reserved
160-254	0000H	Reserved
255	XXA5H	15- 8 Checksum. This value is the two's complement of the sum of all bytes in byte 0 through 510 7- 0 (A5) Signature

Figure 105. Identify Device Information (part 6 of 6)

11.8 Idle (E3h/97h)

Command Block Output Registers								Command Block Input Registers									
Register	7	6	5	4	3	2	1	0	Register	7	6	5	4	3	2	1	0
Data	-	-	-	-	-	-	-	-	Data	-	-	-	-	-	-	-	-
Feature	-	-	-	-	-	-	-	-	Error	see below							
Sector Count	V	V	V	V	V	V	V	V	Sector Count	-	-	-	-	-	-	-	-
Sector Number	-	-	-	-	-	-	-	-	Sector Number	-	-	-	-	-	-	-	-
Cylinder Low	-	-	-	-	-	-	-	-	Cylinder Low	-	-	-	-	-	-	-	-
Cylinder High	-	-	-	-	-	-	-	-	Cylinder High	-	-	-	-	-	-	-	-
Device/Head	1	-	1	D	-	-	-	-	Device/Head	-	-	-	-	-	-	-	-
Command	1	1	1	0	0	0	1	1	Status	see below							

Error Register							
7	6	5	4	3	2	1	0
CRC	UNC	0	IDN	0	ABT	T0N	AMN
0	0	0	0	0	V	0	0

Status Register							
7	6	5	4	3	2	1	0
BSY	RDY	DF	DSC	DRQ	COR	IDX	ERR
0	V	0	V	-	0	-	V

Figure 106. Idle Command (E3h/97h)

The Idle command causes the device to enter Idle mode immediately and to set the auto power down time-out parameter (standby timer). And the timer then starts counting down.

When the Idle mode is entered, the device is spun up to operating speed. If the device is already spinning, the spin up sequence is not executed. During Idle mode the device is spinning and ready to respond to host commands immediately.

Output parameters to the device

Sector Count Time-out Parameter. If it is zero, the automatic power down sequence is disabled. If it is nonzero, the automatic power down sequence is enabled. The time-out interval is shown below:

Value	Time-out
0	Timer disabled
1-240	Value x 5
241-251	(Value-240) x 30 minutes
252	21 minutes
253	8 hours
254	21 minutes 10 seconds
255	21 minutes 15 seconds

When the automatic power down sequence is enabled, the drive will enter Standby mode automatically if the time-out interval expires with no drive access from the host. The time-out interval will be reinitialized if there is a drive access before the time-out interval expires

11.9 Idle Immediate (E1h/95h)

Command Block Output Registers								Command Block Input Registers									
Register	7	6	5	4	3	2	1	0	Register	7	6	5	4	3	2	1	0
Data	-	-	-	-	-	-	-	-	Data	-	-	-	-	-	-	-	-
Feature	-	-	-	-	-	-	-	-	Error	see below							
Sector Count	-	-	-	-	-	-	-	-	Sector Count	-	-	-	-	-	-	-	-
Sector Number	-	-	-	-	-	-	-	-	Sector Number	-	-	-	-	-	-	-	-
Cylinder Low	-	-	-	-	-	-	-	-	Cylinder Low	-	-	-	-	-	-	-	-
Cylinder High	-	-	-	-	-	-	-	-	Cylinder High	-	-	-	-	-	-	-	-
Device/Head	1	-	1	D	-	-	-	-	Device/Head	-	-	-	-	-	-	-	-
Command	1	1	1	0	0	0	0	1	Status	see below							

Error Register							
7	6	5	4	3	2	1	0
CRC	UNC	0	IDN	0	ABT	T0N	AMN
0	0	0	0	0	V	0	0

Status Register							
7	6	5	4	3	2	1	0
BSY	RDY	DF	DSC	DRQ	COR	IDX	ERR
0	V	0	V	-	0	-	V

Figure 107. Idle Immediate Command (E1h/95h)

The Idle Immediate command causes the device to enter Idle mode.

The device is spun up to operating speed. If the device is already spinning, the spin up sequence is not executed.

During Idle mode the device is spinning and ready to respond to host commands immediately.

The Idle Immediate command will not affect the auto power down time-out parameter.

11.10 Initialize Device Parameters (91h)

Command Block Output Registers								Command Block Input Registers									
Register	7	6	5	4	3	2	1	0	Register	7	6	5	4	3	2	1	0
Data	-	-	-	-	-	-	-	-	Data	-	-	-	-	-	-	-	-
Feature	-	-	-	-	-	-	-	-	Error	-	-	-	-	-	-	-	-
Sector Count	V	V	V	V	V	V	V	V	Sector Count	-	-	-	-	-	-	-	-
Sector Number	-	-	-	-	-	-	-	-	Sector Number	-	-	-	-	-	-	-	-
Cylinder Low	-	-	-	-	-	-	-	-	Cylinder Low	-	-	-	-	-	-	-	-
Cylinder High	-	-	-	-	-	-	-	-	Cylinder High	-	-	-	-	-	-	-	-
Device/Head	1	-	1	D	H	H	H	H	Device/Head	-	-	-	-	-	-	-	-
Command	1	0	0	1	0	0	0	1	Status	see below							

Error Register							
7	6	5	4	3	2	1	0
CRC	UNC	0	IDN	0	ABT	T0N	AMN
0	0	0	0	0	V	0	0

Status Register							
7	6	5	4	3	2	1	0
BSY	RDY	DF	DSC	DRQ	COR	IDX	ERR
0	V	0	-	-	0	-	V

Figure 108. Initialize Device Parameters Command (91h)

The Initialize Device Parameters command enables the host to set the number of sectors per track and the number of heads minus 1 per cylinder. Words 54-58 in Identify Device Information reflect these parameters.

The parameters remain in effect until the following events occur:

- Another Initialize Device Parameters command is received.
- The device is powered off.
- Soft reset/Hard reset has occurred and the Set Feature option of CCh is set instead of 66h.

Output parameters to the device

Sector Count

The number of sectors per track. Zero means that there are no sectors per track rather than 256 sectors per track.

H The number of heads minus 1 per cylinder. The minimum is 0 and the maximum is 15.

The following condition needs to be satisfied to avoid invalid number of cylinders beyond FFFFh:

$$(\text{Total number of user addressable (sectors)} / ((\text{Sector Count}) \times (\text{H} + 1))) = < \text{FFFFh}$$

The total number of user addressable sectors is described in Identify Device command.

11.11 NOP (00h)

Command Block Output Registers								Command Block Input Registers									
Register	7	6	5	4	3	2	1	0	Register	7	6	5	4	3	2	1	0
Data	-	-	-	-	-	-	-	-	Data	-	-	-	-	-	-	-	-
Feature	V	V	V	V	V	V	V	V	Error	see below							
Sector Count	-	-	-	-	-	-	-	-	Sector Count	Initial Value							
Sector Number	-	-	-	-	-	-	-	-	Sector Number	Initial Value							
Cylinder Low	-	-	-	-	-	-	-	-	Cylinder Low	Initial Value							
Cylinder High	-	-	-	-	-	-	-	-	Cylinder High	Initial Value							
Device/Head	1	-	1	D	-	-	-	-	Device/Head	Initial Value							
Command	0	0	0	0	0	0	0	0	Status	see below							

Error Register							
7	6	5	4	3	2	1	0
CRC	UNC	0	IDN	0	ABT	T0N	AMN
0	0	0	0	0	V	0	0

Status Register							
7	6	5	4	3	2	1	0
BSY	RDY	DF	DSC	DRQ	COR	IDX	ERR
0	V	0	-	-	0	-	V

Figure 109. NOP Command (00h)

This command always fails with an error. The device responds with command aborted.

Output parameters to the device

Feature	Subcommand code
00H	Abort any outstanding queue
01H - FFH	Not abort any outstanding queue

The value of Sector Count, Sector Number, Cylinder High/Low, Device/Head set by host is not changed.

11.12 Read Buffer (E4h)

Command Block Output Registers								Command Block Input Registers									
Register	7	6	5	4	3	2	1	0	Register	7	6	5	4	3	2	1	0
Data	-	-	-	-	-	-	-	-	Data	-	-	-	-	-	-	-	-
Feature	-	-	-	-	-	-	-	-	Error	see below							
Sector Count	-	-	-	-	-	-	-	-	Sector Count	-	-	-	-	-	-	-	-
Sector Number	-	-	-	-	-	-	-	-	Sector Number	-	-	-	-	-	-	-	-
Cylinder Low	-	-	-	-	-	-	-	-	Cylinder Low	-	-	-	-	-	-	-	-
Cylinder High	-	-	-	-	-	-	-	-	Cylinder High	-	-	-	-	-	-	-	-
Device/Head	1	-	1	D	-	-	-	-	Device/Head	-	-	-	-	-	-	-	-
Command	1	1	1	0	0	1	0	0	Status	see below							

Error Register							
7	6	5	4	3	2	1	0
CRC	UNC	0	IDN	0	ABT	T0N	AMN
0	0	0	0	0	V	0	0

Status Register							
7	6	5	4	3	2	1	0
BSY	RDY	DF	DSC	DRQ	COR	IDX	ERR
0	V	0	-	-	0	-	V

Figure 110. Read Buffer Command (E4h)

The Read Buffer command transfers a sector of data from the sector buffer of device to the host.

The sector is transferred through the Data Register 16 bits at a time.

The sector transferred will be from the same part of the buffer written to by the last Write Buffer command. The contents of the sector may be different if any reads or writes have occurred since the Write Buffer command was issued.

11.13 Read DMA (C8h/C9h)

Command Block Output Registers								Command Block Input Registers									
Register	7	6	5	4	3	2	1	0	Register	7	6	5	4	3	2	1	0
Data	-	-	-	-	-	-	-	-	Data	-	-	-	-	-	-	-	-
Feature	-	-	-	-	-	-	-	-	Error	see below							
Sector Count	V	V	V	V	V	V	V	V	Sector Count	V	V	V	V	V	V	V	V
Sector Number	V	V	V	V	V	V	V	V	Sector Number	V	V	V	V	V	V	V	V
Cylinder Low	V	V	V	V	V	V	V	V	Cylinder Low	V	V	V	V	V	V	V	V
Cylinder High	V	V	V	V	V	V	V	V	Cylinder High	V	V	V	V	V	V	V	V
Device/Head	1	L	1	D	H	H	H	H	Device/Head	-	-	-	-	H	H	H	H
Command	1	1	0	0	1	0	0	R	Status	see below							

Error Register							
7	6	5	4	3	2	1	0
CRC	UNC	0	IDN	0	ABT	T0N	AMN
V	V	0	V	0	V	0	V

Status Register							
7	6	5	4	3	2	1	0
BSY	RDY	DF	DSC	DRQ	COR	IDX	ERR
0	V	0	V	-	0	-	V

Figure 111. Read DMA Command (C8h/C9h)

The Read DMA command reads one or more sectors of data from disk media and then transfers the data from the device to the host.

The sectors are transferred through the Data Register 16 bits at a time.

The host initializes a slave-DMA channel prior to issuing the command. The data transfers are qualified by DMARQ and are performed by the slave-DMA channel. The device issues only one interrupt per command to indicate that data transfer has terminated and status is available.

If an uncorrectable error occurs, the read will be terminated at the failing sector.

Output parameters to the device

- Sector Count** The number of continuous sectors to be transferred. If zero is specified, 256 sectors will be transferred.
- Sector Number** The sector number of the first sector to be transferred. (L=0)
In LBA mode this register specifies the transfer of LBA address bits 0 - 7. (L=1)
- Cylinder High/Low** The cylinder number of the first sector to be transferred. (L=0)
In LBA mode this register specifies the transfer of LBA address bits 8 - 15 (Low) 16 - 23 (High). (L=1)
- H** The head number of the first sector to be transferred. (L=0)
In LBA mode this register specifies the transfer of LBA bits 24-27. (L=1)

R The retry bit. This bit is ignored.

Input parameters from the device

Sector Count The number of requested sectors not transferred. This will be zero unless an unrecoverable error occurs.

Sector Number The sector number of the last transferred sector. (L=0)
In LBA mode this register contains current LBA bits 0 - 7. (L=1)

Cylinder High/Low The cylinder number of the last transferred sector. (L=0)
In LBA mode this register contains current LBA bits 8 - 15 (Low), 16 - 23 (High).
(L=1)

H The head number of the sector to be transferred. (L=0)
In LBA mode this register contains current LBA bits 24 - 27. (L=1)

11.14 Read DMA Queued (C7h)

Command Block Output Registers								Command Block Input Registers									
Register	7	6	5	4	3	2	1	0	Register	7	6	5	4	3	2	1	0
Data	-	-	-	-	-	-	-	-	Data	-	-	-	-	-	-	-	-
Feature	V	V	V	V	V	V	V	V	Error	see below							
Sector Count	V	V	V	V	V	V	V	V	Sector Count	V	V	V	V	V	V	V	V
Sector Number	V	V	V	V	V	V	V	V	Sector Number	V	V	V	V	V	V	V	V
Cylinder Low	V	V	V	V	V	V	V	V	Cylinder Low	V	V	V	V	V	V	V	V
Cylinder High	V	V	V	V	V	V	V	V	Cylinder High	V	V	V	V	V	V	V	V
Device/Head	1	L	1	D	H	H	H	H	Device/Head	-	-	-	-	H	H	H	H
Command	1	1	0	0	0	1	1	1	Status	see below							

Error Register							
7	6	5	4	3	2	1	0
CRC	UNC	0	IDN	0	ABT	T0N	AMN
V	V	0	V	0	V	0	V

Status Register							
7	6	5	4	3	2	1	0
BSY	RDY	DF	SRV	DRQ	COR	IDX	ERR
0	V	0	V	-	0	-	V

Figure 112. Read DMA Queued Command (C7h)

This command executes in a similar manner to a READ DMA command. The device may perform a bus release or it may execute the data transfer without performing a bus release if the data is ready to transfer. If the device performs a bus release, the host shall reselect the device using the SERVICE command. When the data transfer is begun, the device does not perform a bus release until the entire data transfer has been completed.

Output parameters to the device

- Feature** The number of sectors to be transferred. A value of 00h indicates that 256 sectors are to be transferred.
- Sector Count** Bits 7 - 3 (Tag) contain the Tag for the command being delivered.
- Sector Number** Starting sector number or LBA address bits 7 - 0.
- Cylinder High/Low** Starting cylinder number or LBA address bits 23 - 8.
- H** Starting head number or LBA address bits 27 - 24.

Input parameters from the device on bus release

Sector Count Bits 7 - 3 (Tag) contain the Tag of the command being bus released.
 Bit 2 (REL) is set to one.
 Bit 1 (I/O) is cleared to zero.
 Bit 0 (C/D) is cleared to zero.

Sector Number, Cylinder High/low, H n/a.

SRV Cleared to zero when the device performs a bus release. This bit is set to one when the device is ready to transfer data.

Input parameters from the device on command complete

Sector Count Bits 7 - 3 (Tag) contain the Tag of the completed command.
 Bit 2 (REL) is cleared to zero.
 Bit 1 (I/O) is set to one.
 Bit 0 (C/D) is set to one.

Sector Number, Cylinder High/Low, H

Sector address of unrecoverable error (applicable only when an unrecoverable error has occurred.)

SRV Cleared to zero.

11.15 Read Long (22h/23h)

Command Block Output Registers								Command Block Input Registers									
Register	7	6	5	4	3	2	1	0	Register	7	6	5	4	3	2	1	0
Data	-	-	-	-	-	-	-	-	Data	-	-	-	-	-	-	-	-
Feature	-	-	-	-	-	-	-	-	Error	see below							
Sector Count	0	0	0	0	0	0	0	1	Sector Count	-	-	-	-	-	-	-	V
Sector Number	V	V	V	V	V	V	V	V	Sector Number	V	V	V	V	V	V	V	V
Cylinder Low	V	V	V	V	V	V	V	V	Cylinder Low	V	V	V	V	V	V	V	V
Cylinder High	V	V	V	V	V	V	V	V	Cylinder High	V	V	V	V	V	V	V	V
Device/Head	1	L	1	D	H	H	H	H	Device/Head	-	-	-	-	H	H	H	H
Command	0	0	1	0	0	0	1	R	Status	see below							

Error Register							
7	6	5	4	3	2	1	0
CRC	UNC	0	IDN	0	ABT	T0N	AMN
0	0	0	V	0	V	0	V

Status Register							
7	6	5	4	3	2	1	0
BSY	RDY	DF	DSC	DRQ	COR	IDX	ERR
0	V	0	V	-	0	-	V

Figure 113. Read Long Command (22h/23h)

The Read Long command reads the designated one sector of data and the ECC bytes from disk media and then transfers the data and ECC bytes from the device to the host.

After 512 bytes of data have been transferred, the device will keep setting DRQ=1 to indicate that the device is ready to transfer the ECC bytes to the host. The data is transferred 16 bits at a time; the ECC bytes are transferred 8 bits at a time. The number of ECC bytes is 4 or 52 according to setting of Set Feature option. The default setting is 4 bytes of ECC data.

The command makes a single attempt to read the data and does not check the data using ECC. Whatever is read is returned to the host.

Output parameters to the device

- Sector Count** The number of continuous sectors to be transferred. The Sector Count must be set to one.
- Sector Number** The sector number of the sector to be transferred. (L=0)
In LBA mode this register contains LBA bits 0 - 7. (L=1)
- Cylinder High/Low** The cylinder number of the sector to be transferred. (L=0)
In LBA mode this register contains LBA bits 8 - 15 (Low), 16 - 23 (High). (L=1)
- H** The head number of the sector to be transferred. (L=0)
In LBA mode this register contains LBA bits 24-27. (L=1)
- R** The retry bit. This bit is ignored.

Input parameters from the device

Sector Count	The number of requested sectors not transferred.
Sector Number	The sector number of the transferred sector. (L=0) In LBA mode this register contains current LBA bits 0 - 7. (L=1)
Cylinder High/Low	The cylinder number of the transferred sector. (L=0) In LBA mode this register contains current LBA bits 8 - 15 (Low), 16 - 23 (High). (L=1)
H	The head number of the transferred sector. (L=0) In LBA mode this register contains current LBA bits 24-27. (L=1)

It should be noted that the device internally uses 52 bytes of ECC data on all data written or read from the disk. The 4 byte mode of operation is provided via an emulation. Use of the 52 byte ECC mode is recommended for testing the effectiveness and integrity of the ECC functions of the device.

11.16 Read Multiple (C4h)

Command Block Output Registers								Command Block Input Registers									
Register	7	6	5	4	3	2	1	0	Register	7	6	5	4	3	2	1	0
Data	-	-	-	-	-	-	-	-	Data	-	-	-	-	-	-	-	-
Feature	-	-	-	-	-	-	-	-	Error	see below							
Sector Count	V	V	V	V	V	V	V	V	Sector Count	V	V	V	V	V	V	V	V
Sector Number	V	V	V	V	V	V	V	V	Sector Number	V	V	V	V	V	V	V	V
Cylinder Low	V	V	V	V	V	V	V	V	Cylinder Low	V	V	V	V	V	V	V	V
Cylinder High	V	V	V	V	V	V	V	V	Cylinder High	V	V	V	V	V	V	V	V
Device/Head	1	L	1	D	H	H	H	H	Device/Head	-	-	-	-	H	H	H	H
Command	1	1	0	0	0	1	0	0	Status	see below							

Error Register							
7	6	5	4	3	2	1	0
CRC	UNC	0	IDN	0	ABT	T0N	AMN
0	V	0	V	0	V	0	V

Status Register							
7	6	5	4	3	2	1	0
BSY	RDY	DF	DSC	DRQ	COR	IDX	ERR
0	V	0	V	-	0	-	V

Figure 114. Read Multiple Command (C4h)

The Read Multiple command reads one or more sectors of data from disk media and then transfers the data from the device to the host.

The sectors are transferred through the Data Register 16 bits at a time. Command execution is identical to the Read Sectors command except that an interrupt is generated for each block (as defined by the Set Multiple command) instead of for each sector.

Output parameters to the device

- Sector Count** The number of continuous sectors to be transferred. If zero is specified, 256 sectors will be transferred.
- Sector Number** The sector number of the first sector to be transferred. (L=0)
In LBA mode this register contains LBA bits 0 - 7. (L=1)
- Cylinder High/Low** The cylinder number of the first sector to be transferred. (L=0)
In LBA mode this register contains LBA bits 8 - 15 (Low), 16 - 23 (High). (L=1)
- H** The head number of the first sector to be transferred. (L=0)
In LBA mode this register contains LBA bits 24 - 27. (L=1)

Input parameters from the device

- Sector Count** The number of requested sectors not transferred. This will be zero unless an unrecoverable error occurs.

Sector Number The sector number of the last transferred sector. (L=0)
In LBA mode this register contains current LBA bits 0 - 7. (L=1)

Cylinder High/Low The cylinder number of the last transferred sector. (L=0)
In LBA mode this register contains current LBA bits 8 - 15 (Low), 16 - 23 (High).
(L=1)

H The head number of the last transferred sector. (L=0)
In LBA mode this register contains current LBA bits 24 - 27. (L=1)

11.17 Read Native Max Address (F8h)

Command Block Output Registers								Command Block Input Registers									
Register	7	6	5	4	3	2	1	0	Register	7	6	5	4	3	2	1	0
Data	-	-	-	-	-	-	-	-	Data	-	-	-	-	-	-	-	-
Feature	-	-	-	-	-	-	-	-	Error	see below							
Sector Count	-	-	-	-	-	-	-	-	Sector Count	-	-	-	-	-	-	-	-
Sector Number	-	-	-	-	-	-	-	-	Sector Number	V	V	V	V	V	V	V	V
Cylinder Low	-	-	-	-	-	-	-	-	Cylinder Low	V	V	V	V	V	V	V	V
Cylinder High	-	-	-	-	-	-	-	-	Cylinder High	V	V	V	V	V	V	V	V
Device/Head	1	L	1	D	-	-	-	-	Device/Head	-	-	-	-	H	H	H	H
Command	1	1	1	1	1	0	0	0	Status	see below							

Error Register							
7	6	5	4	3	2	1	0
CRC	UNC	0	IDN	0	ABT	T0N	AMN
0	0	0	0	0	V	0	0

Status Register							
7	6	5	4	3	2	1	0
BSY	RDY	DF	DSC	DRQ	COR	IDX	ERR
0	V	0	-	-	0	-	V

Figure 115. Read Native Max LBA/CYL (F8h)

This command returns the native max LBA/CYL of the drive which is not effected by Set Max Address command.

Input parameters from the device

- Sector Number** In LBA mode this register contains native max LBA bits 0 - 7. (L=1)
In CHS mode this register contains native max sector number. (L=0)
- Cylinder High/Low** In LBA mode this register contains native max LBA bits 8 - 15 (Low), 16 - 23 (High). (L=1)
In CHS mode this register contains native max cylinder number. (L=0)
- H** In LBA mode this register contains native max LBA bits 24 - 27. (L=1)
In CHS mode this register contains native max head number. (L=0)

11.18 Read Sectors (20h/21h)

Command Block Output Registers								Command Block Input Registers									
Register	7	6	5	4	3	2	1	0	Register	7	6	5	4	3	2	1	0
Data	-	-	-	-	-	-	-	-	Data	-	-	-	-	-	-	-	-
Feature	-	-	-	-	-	-	-	-	Error	see below							
Sector Count	V	V	V	V	V	V	V	V	Sector Count	V	V	V	V	V	V	V	V
Sector Number	V	V	V	V	V	V	V	V	Sector Number	V	V	V	V	V	V	V	V
Cylinder Low	V	V	V	V	V	V	V	V	Cylinder Low	V	V	V	V	V	V	V	V
Cylinder High	V	V	V	V	V	V	V	V	Cylinder High	V	V	V	V	V	V	V	V
Device/Head	1	L	1	D	H	H	H	H	Device/Head	-	-	-	-	H	H	H	H
Command	0	0	1	0	0	0	0	R	Status	see below							

Error Register							
7	6	5	4	3	2	1	0
CRC	UNC	0	IDN	0	ABT	T0N	AMN
0	V	0	V	0	V	0	V

Status Register							
7	6	5	4	3	2	1	0
BSY	RDY	DF	DSC	DRQ	COR	IDX	ERR
0	V	0	V	-	0	-	V

Figure 116. Read Sectors Command (20h/21h)

The Read Sectors command reads one or more sectors of data from disk media and then transfers the data from the device to the host.

The sectors are transferred through the Data Register 16 bits at a time.

If an uncorrectable error occurs, the read will be terminated at the failing sector.

Output parameters to the device

- Sector Count** The number of continuous sectors to be transferred. If zero is specified, 256 sectors will be transferred.
- Sector Number** The sector number of the first sector to be transferred. (L=0)
In LBA mode this register contains LBA bits 0 - 7. (L=1)
- Cylinder High/Low** The cylinder number of the first sector to be transferred. (L=0)
In LBA mode this register contains LBA bits 8 - 15 (Low), 16 - 23 (High). (L=1)
- H** The head number of the first sector to be transferred. (L=0)
In LBA mode this register contains LBA bits 24 - 27. (L=1)
- R** The retry bit. This bit is ignored.

Input parameters from the device

Sector Count	The number of requested sectors not transferred. This will be zero unless an unrecoverable error occurs.
Sector Number	The sector number of the last transferred sector. (L=0) In LBA mode this register contains current LBA bits 0 - 7. (L=1)
Cylinder High/Low	The cylinder number of the last transferred sector. (L=0) In LBA mode this register contains current LBA bits 8 - 15 (Low), 16 - 23 (High). (L=1)
H	The head number of the last transferred sector. (L=0) In LBA mode this register contains current LBA bits 24 - 27. (L=1)

11.19 Read Verify Sectors (40h/41h)

Command Block Output Registers								Command Block Input Registers									
Register	7	6	5	4	3	2	1	0	Register	7	6	5	4	3	2	1	0
Data	-	-	-	-	-	-	-	-	Data	-	-	-	-	-	-	-	-
Feature	-	-	-	-	-	-	-	-	Error	see below							
Sector Count	V	V	V	V	V	V	V	V	Sector Count	V	V	V	V	V	V	V	V
Sector Number	V	V	V	V	V	V	V	V	Sector Number	V	V	V	V	V	V	V	V
Cylinder Low	V	V	V	V	V	V	V	V	Cylinder Low	V	V	V	V	V	V	V	V
Cylinder High	V	V	V	V	V	V	V	V	Cylinder High	V	V	V	V	V	V	V	V
Device/Head	1	L	1	D	H	H	H	H	Device/Head	-	-	-	-	H	H	H	H
Command	0	0	1	0	0	0	0	R	Status	see below							

Error Register							
7	6	5	4	3	2	1	0
CRC	UNC	0	IDN	0	ABT	T0N	AMN
0	V	0	V	0	V	0	V

Status Register							
7	6	5	4	3	2	1	0
BSY	RDY	DF	DSC	DRQ	COR	IDX	ERR
0	V	0	V	-	0	-	V

Figure 117. Read Verify Sectors Command (40h/41h)

The Read Verify Sectors verifies one or more sectors on the device. No data is transferred to the host.

The difference of Read Sectors command and Read Verify Sectors command is whether the data is transferred to the host or not.

If an uncorrectable error occurs, the read verify will be terminated at the failing sector.

Output parameters to the device

- Sector Count** The number of continuous sectors to be verified. If zero is specified, 256 sectors will be verified.
- Sector Number** The sector number of the first sector to be transferred. (L=0)
In LBA mode this register contains LBA bits 0 - 7. (L=1)
- Cylinder High/Low** The cylinder number of the first sector to be transferred. (L=0)
In LBA mode this register contains LBA bits 8 - 15 (Low), 16 - 23 (High). (L=1)
- H** The head number of the first sector to be transferred. (L=0)
In LBA mode this register contains LBA bits 24 - 27. (L=1)
- R** The retry bit. This bit is ignored..

Input parameters from the device

Sector Count	The number of requested sectors not verified. This will be zero unless an unrecoverable error occurs.
Sector Number	The sector number of the last transferred sector. (L=0) In LBA mode this register contains current LBA bits 0 - 7. (L=1)
Cylinder High/Low	The cylinder number of the last transferred sector. (L=0) In LBA mode this register contains current LBA bits 8 - 15 (Low), 16 - 23 (High). (L=1)
H	The head number of the last transferred sector. (L=0) In LBA mode this register contains current LBA bits 24 - 27. (L=1)

11.20 Recalibrate (1xh)

Command Block Output Registers								Command Block Input Registers									
Register	7	6	5	4	3	2	1	0	Register	7	6	5	4	3	2	1	0
Data	-	-	-	-	-	-	-	-	Data	-	-	-	-	-	-	-	-
Feature	-	-	-	-	-	-	-	-	Error	see below							
Sector Count	-	-	-	-	-	-	-	-	Sector Count	-	-	-	-	-	-	-	-
Sector Number	-	-	-	-	-	-	-	-	Sector Number	-	-	-	-	-	-	-	-
Cylinder Low	-	-	-	-	-	-	-	-	Cylinder Low	-	-	-	-	-	-	-	-
Cylinder High	-	-	-	-	-	-	-	-	Cylinder High	-	-	-	-	-	-	-	-
Device/Head	1	-	1	D	-	-	-	-	Device/Head	-	-	-	-	-	-	-	-
Command	0	0	0	1	-	-	-	-	Status	see below							

Error Register							
7	6	5	4	3	2	1	0
CRC	UNC	0	IDN	0	ABT	T0N	AMN
0	0	0	0	0	V	V	0

Status Register							
7	6	5	4	3	2	1	0
BSY	RDY	DF	DSC	DRQ	COR	IDX	ERR
0	V	0	V	-	0	-	V

Figure 118. Recalibrate Command (1xh)

The Recalibrate command moves the read/write heads from anywhere on the disk to cylinder 0. If the device cannot reach cylinder 0, T0N (Track 0 Not Found) will be set in the Error Register.

11.21 Security Disable Password (F6h)

Command Block Output Registers								Command Block Input Registers									
Register	7	6	5	4	3	2	1	0	Register	7	6	5	4	3	2	1	0
Data	-	-	-	-	-	-	-	-	Data	-	-	-	-	-	-	-	-
Feature	-	-	-	-	-	-	-	-	Error	see below							
Sector Count	-	-	-	-	-	-	-	-	Sector Count	-	-	-	-	-	-	-	-
Sector Number	-	-	-	-	-	-	-	-	Sector Number	-	-	-	-	-	-	-	-
Cylinder Low	-	-	-	-	-	-	-	-	Cylinder Low	-	-	-	-	-	-	-	-
Cylinder High	-	-	-	-	-	-	-	-	Cylinder High	-	-	-	-	-	-	-	-
Device/Head	1	-	1	D	-	-	-	-	Device/Head	-	-	-	-	-	-	-	-
Command	1	1	1	1	0	1	1	0	Status	see below							

Error Register							
7	6	5	4	3	2	1	0
CRC	UNC	0	IDN	0	ABT	T0N	AMN
0	0	0	0	0	V	0	0

Status Register							
7	6	5	4	3	2	1	0
BSY	RDY	DF	DSC	DRQ	COR	IDX	ERR
0	V	0	V	-	0	-	V

Figure 119. Security Disable Password Command (F6h)

The Security Disable Password command disables the security mode feature (device lock function).

The Security Disable Password command requests a transfer of a single sector of data from the host including information specified in the figure below. Then the device checks the transferred password. If the User Password or Master Password matches the given password, the device disables the security mode feature (device lock function). This command does not change the Master Password which may be reactivated later by setting User Password. This command should be executed in device unlock mode.

Word	Description
00	Control Word bit 0 : Identifier (1- Master, 0- User) bit 1-15 : Reserved
01-16	Password (32 bytes)
17-255	Reserved

Figure 120. Password Information for Security Disable Password command

The device will compare the password sent from this host with that specified in the control word.

Identifier Zero indicates that the device should check the supplied password against the user password stored internally. One indicates that the device should check the given password against the master password stored internally.

11.22 Security Erase Prepare (F3h)

Command Block Output Registers								Command Block Input Registers									
Register	7	6	5	4	3	2	1	0	Register	7	6	5	4	3	2	1	0
Data	-	-	-	-	-	-	-	-	Data	-	-	-	-	-	-	-	-
Feature	-	-	-	-	-	-	-	-	Error	see below							
Sector Count	-	-	-	-	-	-	-	-	Sector Count	-	-	-	-	-	-	-	-
Sector Number	-	-	-	-	-	-	-	-	Sector Number	-	-	-	-	-	-	-	-
Cylinder Low	-	-	-	-	-	-	-	-	Cylinder Low	-	-	-	-	-	-	-	-
Cylinder High	-	-	-	-	-	-	-	-	Cylinder High	-	-	-	-	-	-	-	-
Device/Head	1	-	1	D	-	-	-	-	Device/Head	-	-	-	-	-	-	-	-
Command	1	1	1	1	0	0	1	1	Status	see below							

Error Register							
7	6	5	4	3	2	1	0
CRC	UNC	0	IDN	0	ABT	T0N	AMN
0	0	0	0	0	V	0	0

Status Register							
7	6	5	4	3	2	1	0
BSY	RDY	DF	DSC	DRQ	COR	IDX	ERR
0	V	0	V	-	0	-	V

Figure 121. Security Erase Prepare Command (F3h)

The Security Erase Prepare Command must be issued immediately before the Security Erase Unit Command to enable device erasing and unlocking.

The Security Erase Prepare Command must be issued immediately before the Format Unit Command. This command is intended to prevent accidental erasure of the device.

This command does not request transfer of data.

11.23 Security Erase Unit (F4h)

Command Block Output Registers								Command Block Input Registers									
Register	7	6	5	4	3	2	1	0	Register	7	6	5	4	3	2	1	0
Data	-	-	-	-	-	-	-	-	Data	-	-	-	-	-	-	-	-
Feature	-	-	-	-	-	-	-	-	Error	see below							
Sector Count	-	-	-	-	-	-	-	-	Sector Count	-	-	-	-	-	-	-	-
Sector Number	-	-	-	-	-	-	-	-	Sector Number	-	-	-	-	-	-	-	-
Cylinder Low	-	-	-	-	-	-	-	-	Cylinder Low	-	-	-	-	-	-	-	-
Cylinder High	-	-	-	-	-	-	-	-	Cylinder High	-	-	-	-	-	-	-	-
Device/Head	1	-	1	D	-	-	-	-	Device/Head	-	-	-	-	-	-	-	-
Command	1	1	1	1	0	1	0	0	Status	see below							

Error Register							
7	6	5	4	3	2	1	0
CRC	UNC	0	IDN	0	ABT	T0N	AMN
0	0	0	V	0	V	0	0

Status Register							
7	6	5	4	3	2	1	0
BSY	RDY	DF	DSC	DRQ	COR	IDX	ERR
0	V	0	V	-	0	-	V

Figure 122. Security Erase Unit Command (F4h)

The Security Erase Unit command initializes all user data sectors and then disables the device lock function.

Note that the Security Erase Unit command initializes from LBA 0 to Native MAX LBA. The Host MAX LBA set by the Initialize Drive Parameter or the Set MAX Address command is ignored. So the protected area by the Set MAX Address command is also initialized.

This command requests the transfer of a single sector data from the host including the information specified in the figure below.

If the password does not match, the device rejects the command with an Aborted error.

Word	Description
00	Control Word bit 0 : Identifier (1- Master, 0- User) bit 1 : Erase mode (1- Enhanced, 0- Normal) Enhanced mode is not supported bit 2-15: Reserved
01-16	Password (32 bytes)
17-255	Reserved

Figure 123. Erase Unit Information

Identifier Zero indicates that the device should check the supplied password against the user password stored internally. One indicates that the device should check the given password against the master password stored internally.

The Security Erase Unit command erases all user data and disables the security mode feature (device lock function). So after completing this command, all user data will be initialized to zero with write operation. At this time it is not verified with read operation whether the sector of data is initialized correctly. In addition the defective sector information and the reassigned sector information for the device are not updated. The security erase prepare command should be completed immediately prior to the Security Erase Unit command. If the device receives a Security Erase Unit command without a prior Security Erase Prepare command, the device aborts the security erase unit command.

This command disables the security mode feature (device lock function); however the master password is still stored internally within the device and may be reactivated later when a new user password is set. If you execute this command on disabling the security mode feature (device lock function), the password sent by the host is NOT compared with the password stored in the device for either the Master Password or the User Password. The device then erases all user data.

The execution time of this command is set in word 89 of Identify device information.

11.24 Security Freeze Lock (F5h)

Command Block Output Registers								Command Block Input Registers									
Register	7	6	5	4	3	2	1	0	Register	7	6	5	4	3	2	1	0
Data	-	-	-	-	-	-	-	-	Data	-	-	-	-	-	-	-	-
Feature	-	-	-	-	-	-	-	-	Error	see below							
Sector Count	-	-	-	-	-	-	-	-	Sector Count	-	-	-	-	-	-	-	-
Sector Number	-	-	-	-	-	-	-	-	Sector Number	-	-	-	-	-	-	-	-
Cylinder Low	-	-	-	-	-	-	-	-	Cylinder Low	-	-	-	-	-	-	-	-
Cylinder High	-	-	-	-	-	-	-	-	Cylinder High	-	-	-	-	-	-	-	-
Device/Head	1	-	1	D	-	-	-	-	Device/Head	-	-	-	-	-	-	-	-
Command	1	1	1	1	0	1	0	1	Status	see below							

Error Register							
7	6	5	4	3	2	1	0
CRC	UNC	0	IDN	0	ABT	T0N	AMN
0	0	0	0	0	V	0	0

Status Register							
7	6	5	4	3	2	1	0
BSY	RDY	DF	DSC	DRQ	COR	IDX	ERR
0	V	0	-	-	0	-	V

Figure 124. Security Freeze Lock Command (F5h)

The Security Freeze Lock Command allows the device to enter frozen mode immediately.

After this command is completed, the command which updates Security Mode Feature (Device Lock Function) is rejected.

Frozen mode is quit only by Power off.

The following commands are rejected when the device is in frozen mode:

- Security Set Password
- Security Unlock
- Security Disable Password
- Security Erase Unit

For details refer to Figure 83 on page 86.

11.25 Security Set Password (F1h)

Command Block Output Registers								Command Block Input Registers									
Register	7	6	5	4	3	2	1	0	Register	7	6	5	4	3	2	1	0
Data	-	-	-	-	-	-	-	-	Data	-	-	-	-	-	-	-	-
Feature	-	-	-	-	-	-	-	-	Error	see below							
Sector Count	-	-	-	-	-	-	-	-	Sector Count	-	-	-	-	-	-	-	-
Sector Number	-	-	-	-	-	-	-	-	Sector Number	-	-	-	-	-	-	-	-
Cylinder Low	-	-	-	-	-	-	-	-	Cylinder Low	-	-	-	-	-	-	-	-
Cylinder High	-	-	-	-	-	-	-	-	Cylinder High	-	-	-	-	-	-	-	-
Device/Head	1	-	1	D	-	-	-	-	Device/Head	-	-	-	-	-	-	-	-
Command	1	1	1	1	0	0	0	1	Status	see below							

Error Register							
7	6	5	4	3	2	1	0
CRC	UNC	0	IDN	0	ABT	T0N	AMN
0	0	0	0	0	V	0	0

Status Register							
7	6	5	4	3	2	1	0
BSY	RDY	DF	DSC	DRQ	COR	IDX	ERR
0	V	0	-	-	0	-	V

Figure 125. Security Set Password Command (F1h)

The Security Set Password command enables security mode feature (device lock function) and sets the master password or the user password.

The security mode feature (device lock function) is enabled by this command and the device is not locked immediately. The device is locked after next power on reset or hard reset. When the MASTER password is set by this command, the master password is registered internally, but the device is NOT locked after next power on reset or hard reset.

This command requests a transfer of a single sector of data from the host including the information specified in the figure below.

The data transferred controls the function of this command.

Word	Description
00	Control Word bit 0 : Identifier (1- Master, 0- User) bit 1-7 : Reserved bit 8 : Security level (1- Maximum, 0- High) bit 9-15 : Reserved
01-16	Password (32 bytes)
17	Master Password Revision Code Valid if Word 0 bit 0 = 1
18-255	Reserved

Figure 126. Security Set Password Information

- Identifier** Zero indicates that device regards Password as User Password. One indicates that device regards Password as Master Password.
- Security Level** Zero indicates High level, one indicates Maximum level. If the host sets High level and the password is forgotten, the Master Password can be used to unlock the device. If the host sets Maximum level and the user password is forgotten, only a Security Erase Prepare/Security Unit command can unlock the device and all data will be lost.
- Password** All 32 bytes of the text of the password are always significant.

Master Password Revision Code

The revision code field is returned in the IDENTIFY DEVICE word 92. The valid revision codes are 0001h through FFEh. The device accepts the command with a value of 0000h or FFFFh in this field but does not change the Master Password Revision code.

The setting of the Identifier and Security level bits interacts as follows:

Identifier=User / Security level = High

The password supplied with the command will be saved as the new user password. The security mode feature (lock function) will be enabled from the next power on. The drive may then be unlocked by either the user password or the previously set master password.

Identifier=Master / Security level = High

This combination will set a master password but will NOT enable the security mode feature (lock function).

Identifier=User / Security level = Maximum

The password supplied with the command will be saved as the new user password. The security mode feature (lock function) will be enabled from the next power on. The drive may then be unlocked by only the user password. The master password previously set is still stored in the drive but may NOT be used to unlock the device.

Identifier=Master / Security level = Maximum

This combination will set a master password but will NOT enable the security mode feature (lock function).

11.26 Security Unlock (F2h)

Command Block Output Registers								Command Block Input Registers									
Register	7	6	5	4	3	2	1	0	Register	7	6	5	4	3	2	1	0
Data	-	-	-	-	-	-	-	-	Data	-	-	-	-	-	-	-	-
Feature	-	-	-	-	-	-	-	-	Error	see below							
Sector Count	-	-	-	-	-	-	-	-	Sector Count	-	-	-	-	-	-	-	-
Sector Number	-	-	-	-	-	-	-	-	Sector Number	-	-	-	-	-	-	-	-
Cylinder Low	-	-	-	-	-	-	-	-	Cylinder Low	-	-	-	-	-	-	-	-
Cylinder High	-	-	-	-	-	-	-	-	Cylinder High	-	-	-	-	-	-	-	-
Device/Head	1	-	1	D	-	-	-	-	Device/Head	-	-	-	-	-	-	-	-
Command	1	1	1	1	0	0	1	0	Status	see below							

Error Register							
7	6	5	4	3	2	1	0
CRC	UNC	0	IDN	0	ABT	T0N	AMN
0	V	0	0	0	V	0	0

Status Register							
7	6	5	4	3	2	1	0
BSY	RDY	DF	DSC	DRQ	COR	IDX	ERR
0	V	0	-	-	0	-	V

Figure 127. Security Unlock Command (F2h)

This command unlocks the password and causes the device to enter device unlock mode. If a power on reset or hard reset is done without executing the Security Disable Password command after this command is completed, the device will be in device lock mode. The password has not been changed yet.

The Security Unlock command requests to transfer a single sector of data from the host including information specified in the figure below.

If the Identifier bit is set to master and the drive is in high security mode, the password supplied will be compared with the stored master password. If the drive is in maximum security mode, the security unlock will be rejected.

If the Identifier bit is set to user, the drive compares the supplied password with the stored user password.

If the password compare fails then the device returns an abort error to the host and decrements the unlock attempt counter. This counter is initially set to 5 and is decremented for each password mismatch. When this counter reaches zero, all password protected commands are rejected until a hard reset or a power off.

Word	Description
00	Control Word bit 0 : Identifier (1- Master, 0- User) bit 1-15 : Reserved
01-16	Password (32 bytes)
17-255	Reserved

Figure 128. Security Unlock Information

Identifier Zero indicates that device regards Password as User Password. One indicates that device regards Password as Master Password.

The user can detect if the attempt to unlock the device has failed due to a mismatched password as this is the only reason that an abort error will be returned by the drive AFTER the password information has been sent to the device. An abort error being returned by the device BEFORE the password data has been sent to the drive indicates is the result of a different problem.

11.27 Seek (7xh)

Command Block Output Registers								Command Block Input Registers									
Register	7	6	5	4	3	2	1	0	Register	7	6	5	4	3	2	1	0
Data	-	-	-	-	-	-	-	-	Data	-	-	-	-	-	-	-	-
Feature	-	-	-	-	-	-	-	-	Error	see below							
Sector Count	-	-	-	-	-	-	-	-	Sector Count	-	-	-	-	-	-	-	-
Sector Number	V	V	V	V	V	V	V	V	Sector Number	V	V	V	V	V	V	V	V
Cylinder Low	V	V	V	V	V	V	V	V	Cylinder Low	V	V	V	V	V	V	V	V
Cylinder High	V	V	V	V	V	V	V	V	Cylinder High	V	V	V	V	V	V	V	V
Device/Head	1	L	1	D	H	H	H	H	Device/Head	-	-	-	-	H	H	H	H
Command	0	1	1	1	-	-	-	-	Status	see below							

Error Register							
7	6	5	4	3	2	1	0
CRC	UNC	0	IDN	0	ABT	T0N	AMN
0	0	0	V	0	V	0	0

Status Register							
7	6	5	4	3	2	1	0
BSY	RDY	DF	DSC	DRQ	COR	IDX	ERR
0	V	0	V	-	0	-	V

Figure 129. Seek Command (7xh)

The Seek command initiates a seek to the designated track and selects the designated head. The device need not be formatted for a seek to execute properly.

Output parameters to the device

- Sector Number** In LBA mode this register specifies LBA address bits 0 - 7 for seek. (L=1)
- Cylinder High/Low** The cylinder number of the seek
In LBA mode this register specifies LBA address bits 8 - 15 (Low), 16 - 23 (High) for seek. (L=1)
- H** The head number of the seek
In LBA mode this register specifies LBA address bits 24 - 27 for seek. (L=1)

Input parameters from the device

- Sector Number** In LBA mode this register contains current LBA bits 0 - 7. (L=1)
- Cylinder High/Low** In LBA mode this register contains current LBA bits 8 - 15 (Low), 16 - 23 (High). (L=1)
- H** In LBA mode this register contains current LBA bits 24 - 27. (L=1)

11.28 Service (A2h)

Command Block Output Registers	
Register	7 6 5 4 3 2 1 0
Data	- - - - - - - -
Feature	0 0 0 0 0 0 0 1
Sector Count	- - - - - - - -
Sector Number	- - - - - - - -
Cylinder Low	- - - - - - - -
Cylinder High	- - - - - - - -
Device/Head	1 - 1 D - - - -
Command	1 1 1 1 0 0 0 0

Figure 130. Service Command (A2h)

The Service command is used to provide data transfer and/or status of a command that was previously bus released.

Output parameters to the device

D Selected device

Input parameters from the device

Input from the device as a result of a Service command are described in the command description for the command for which Service is being requested.

11.29 Set Features (EFh)

Command Block Output Registers								Command Block Input Registers									
Register	7	6	5	4	3	2	1	0	Register	7	6	5	4	3	2	1	0
Data	-	-	-	-	-	-	-	-	Data	-	-	-	-	-	-	-	-
Feature	V	V	V	V	V	V	V	V	Error	see below							
Sector Count	Note 1								Sector Count	-							
Sector Number	-								Sector Number	-							
Cylinder Low	-								Cylinder Low	-							
Cylinder High	-								Cylinder High	-							
Device/Head	1	-	1	D	-	-	-	-	Device/Head	-							
Command	1	1	1	0	1	1	1	1	Status	see below							

Error Register							
7	6	5	4	3	2	1	0
CRC	UNC	0	IDN	0	ABT	T0N	AMN
0	0	0	0	0	V	0	0

Status Register							
7	6	5	4	3	2	1	0
BSY	RDY	DF	DSC	DRQ	COR	IDX	ERR
0	V	0	-	-	0	-	V

Figure 131. Set Features Command (EFh)

The Set Feature command establishes the following parameters which affect the execution of certain features as shown in below table.

ABT will be set to 1 in the Error Register if the Feature register contains any undefined values.

Output parameters to the device

Feature	Destination code for this command
02H	Enable write cache
03H	Set transfer mode based on value in sector count register
05H	Enable Advanced Power Management
06H	Enable Power-up in Standby feature set
07H	Power-up in Standby feature set device spin-up
09H	Enable Address Offset mode
42H	Enable Automatic Acoustic Management
44H	52 bytes of ECC apply on Read Long/Write Long commands
55H	Disable read look-ahead feature
5DH	Enable release interrupt
66H	Disable reverting to power on defaults
82H	Disable write cache

85H	Disable Advanced Power Management
86H	Disable Power-up in Standby mode
89H	Disable Address Offset mode
AAH	Enable read look-ahead feature
BBH	4 bytes of ECC apply on Read Long/Write Long commands
C2H	Disable Automatic Acoustic Management
CCH	Enable reverting to power on defaults
DDH	Disable release interrupt

Note: After a power on reset of hard reset the device is set to the following features as default:

Write cache	: Enable
ECC bytes	: 4 bytes
Read look-ahead	: Enable
Reverting to power on defaults	: Disable
Release interrupt	: Disable

11.29.1 Set Transfer mode

When Feature register is 03h (= Set Transfer mode), the Sector Count Register specifies the transfer mechanism. The upper 5 bits defines the type of transfer and the low order 3 bits encodes the mode value.

PIO Default Transfer Mode	00000 000
PIO Default Transfer Mode, Disable IORDY	00000 001
PIO Flow Control Transfer Mode x	00001 nnn (nnn=000,001,010,011,100)
Multiword DMA mode x	00100 nnn (nnn=000,001,010)
Ultra DMA mode x	01000 nnn (nnn=000,001,010,011,100,101)

11.29.2 Write Cache

If the number of auto reassigned sectors reaches the reassignment capacity of the device, the write cache function will automatically be disabled. Although the device still accepts the Set Features command with Feature register = 02h without error, the write cache function remains disabled. For current write cache function status refer to Figure 100 "Identify Device Information" (word 85 or 129) on page 117.

11.29.3 Advanced Power Management

When Feature register is 05h (= Enable Advanced Power Management), the Sector Count Register specifies the Advanced Power Management level.

- C0 - FFh --- Aborted
- 80 - BFh --- The lowest power consumption mode is Low power Idle mode
- 40 - 7Fh --- The lowest power consumption mode is Low RPM standby mode
- 00 - 3Fh --- Aborted

11.29.3.1 Low Power Idle mode

Additional electronics are powered off and the heads are unloaded on the ramp. The spindle is still rotated at the full speed.

11.29.3.2 Low RPM standby mode

The heads are unloaded on the ramp and the spindle is rotated at the 60-65% of the full speed.

When Feature register is 85h (= Disable Advanced Power Management), the deepest Power Saving becomes normal Idle.

11.29.4 Automatic Acoustic Management

When Feature register is 42h (= Enable Automatic Acoustic Management), the Sector Count Register specifies the Automatic Acoustic Management level.

FF	--- Aborted
C0 - FEh	--- Set to Normal Seek mode
80 - BFh	--- Set to Quiet Seek mode
00 - 7Fh	--- Aborted

The device preserves enabling or disabling of Automatic Acoustic Management and the current Automatic Acoustic Management level setting across all forms of reset, that is, Power on, Hardware, and Software Resets.

11.30 Set Max Address (F9h)

Command Block Output Registers								Command Block Input Registers									
Register	7	6	5	4	3	2	1	0	Register	7	6	5	4	3	2	1	0
Data	-	-	-	-	-	-	-	-	Data	-	-	-	-	-	-	-	-
Feature	V	V	V	V	V	V	V	V	Error	see below							
Sector Count	-	-	-	-	-	-	-	B	Sector Count	-	-	-	-	-	-	-	-
Sector Number	V	V	V	V	V	V	V	V	Sector Number	V	V	V	V	V	V	V	V
Cylinder Low	V	V	V	V	V	V	V	V	Cylinder Low	V	V	V	V	V	V	V	V
Cylinder High	V	V	V	V	V	V	V	V	Cylinder High	V	V	V	V	V	V	V	V
Device/Head	1	L	1	D	H	H	H	H	Device/Head	-	-	-	-	H	H	H	H
Command	1	1	1	1	1	0	0	1	Status	see below							

Error Register							
7	6	5	4	3	2	1	0
CRC	UNC	0	IDN	0	ABT	T0N	AMN
0	0	0	0	0	V	0	0

Status Register							
7	6	5	4	3	2	1	0
BSY	RDY	DF	DSC	DRQ	COR	IDX	ERR
0	V	0	-	-	0	-	V

Figure 132. Set Max Address (F9h)

If this command is immediately preceded by a Read Native Max Address command, the device regards it as a Set Max Address command. The device receives this command without a prior Read Native Max Address command and regards it as a Set Max security extensions command according to feature register value.

Valid features values are as shown below:

1. 01h indicates Set Max Set Password command
2. 02h indicates Set Max Lock command
3. 03h indicates Set Max Unlock command
4. 04h indicates Set Max Freeze LOCK command

This command overwrites the maximum number of Addresses of the drive in a range of actual device capacity. When the device receives this command, all accesses beyond that Address are rejected with setting ABORT bit in status register. Identify Device Command returns the Address which is set via this command as a default value.

If the device in Address Offset mode receives this command with the nonvolatile option, the device returns aborted error to the host.

The device returns command aborted for a second nonvolatile Set Max Address command until the next power on or hardware reset.

The device returns command aborted during Set Max Locked mode or Set Max Frozen mode.

Output parameters to the device

- B** Option bit for selection whether nonvolatile or volatile. B = 0 is volatile condition. When B=1, MAX LBA/CYL which is set by Set Max LBA/CYL command is preserved by POR. When B=0, MAX LBA/CYL which is set by Set Max LBA/CYL command will be lost by POR. B = 1 is not valid when the device is in Address Offset mode.
- Sector Number** In LBA mode this register contains LBA bits 0 - 7 which is to be set. (L=1)
In CHS mode this register is ignored. (L=0)
- Cylinder High/Low** In LBA mode this register contains LBA bits 8 - 15 (Low), 16 - 23 (High) which is to be set. (L=1)
In CHS mode this register contains cylinder number which is to be set. (L=0)
- H** In LBA mode this register contains LBA bits 24 - 27 which is to be set. (L=1)
In CHS mode this register is ignored. (L=0)

Input parameters from the device

- Sector Number** In LBA mode this register contains max LBA bits 0 - 7 which is set. (L=1)
In CHS mode this register contains max sector number. (L=0)
- Cylinder High/Low** In LBA mode this register contains max LBA bits 8 - 15 (Low), 16 - 23 (High) which is set. (L=1)
In CHS mode this register contains max cylinder number which is set. (L=0)
- H** In LBA mode this register contains max LBA bits 24 - 27 which is set. (L=1)
In CHS mode this register contains max head number. (L=0)

11.30.1 Set Max Set Password (Feature = 01h)

Command Block Output Registers								Command Block Input Registers									
Register	7	6	5	4	3	2	1	0	Register	7	6	5	4	3	2	1	0
Data	-	-	-	-	-	-	-	-	Data	-	-	-	-	-	-	-	-
Feature	0	0	0	0	0	0	0	1	Error	see below							
Sector Count	-	-	-	-	-	-	-	-	Sector Count	-	-	-	-	-	-	-	-
Sector Number	-	-	-	-	-	-	-	-	Sector Number	-	-	-	-	-	-	-	-
Cylinder Low	-	-	-	-	-	-	-	-	Cylinder Low	-	-	-	-	-	-	-	-
Cylinder High	-	-	-	-	-	-	-	-	Cylinder High	-	-	-	-	-	-	-	-
Device/Head	1	-	1	D	-	-	-	-	Device/Head	1	-	1	D	-	-	-	-
Command	1	1	1	1	1	0	0	1	Status	see below							

Error Register							
7	6	5	4	3	2	1	0
CRC	UNC	0	IDN	0	ABT	T0N	AMN
0	0	0	0	0	V	0	0

Status Register							
7	6	5	4	3	2	1	0
BSY	RDY	DF	DSC	DRQ	COR	IDX	ERR
0	V	0	-	-	0	-	V

Figure 133. Set Max Set Password

If this command is immediately preceded by a Read Native Max Address command, the device regards it as a Set Max Address command

This command requests a transfer of a single sector of data from the host including the information specified in Figure 134 on page 158.

The password is retained by the device until the next power cycle. When the device accepts this command, the device is in Set_Max_Unlocked state.

Word	Description
00	Reserved
01-16	Password (32 byte)
17-255	Reserved

Figure 134. Set Max Set Password data contents

11.30.2 Set Max Lock (Feature = 02h)

Command Block Output Registers								Command Block Input Registers									
Register	7	6	5	4	3	2	1	0	Register	7	6	5	4	3	2	1	0
Data	-	-	-	-	-	-	-	-	Data	-	-	-	-	-	-	-	-
Feature	0	0	0	0	0	0	1	0	Error	see below							
Sector Count	-	-	-	-	-	-	-	-	Sector Count	-	-	-	-	-	-	-	-
Sector Number	-	-	-	-	-	-	-	-	Sector Number	-	-	-	-	-	-	-	-
Cylinder Low	-	-	-	-	-	-	-	-	Cylinder Low	-	-	-	-	-	-	-	-
Cylinder High	-	-	-	-	-	-	-	-	Cylinder High	-	-	-	-	-	-	-	-
Device/Head	1	-	1	D	-	-	-	-	Device/Head	1	-	1	D	-	-	-	-
Command	1	1	1	1	1	0	0	1	Status	see below							

Error Register							
7	6	5	4	3	2	1	0
CRC	UNC	0	IDN	0	ABT	T0N	AMN
0	0	0	0	0	V	0	0

Status Register							
7	6	5	4	3	2	1	0
BSY	RDY	DF	DSC	DRQ	COR	IDX	ERR
0	V	0	-	-	0	-	V

Figure 135. Set Max Lock

If this command is immediately preceded by a Read Native Max Address command, the device regards it as Set Max Address command.

This command sets the device into Set_Max_Locked state. After this command is completed, any other Set Max commands except Set Max Unlock and Set Max Freeze Lock are rejected. The device remains in this state until a power cycle or the acceptance of a Set Max Unlock or Set Max Freeze Lock command.

11.30.3 Set Max Unlock (Feature = 03h)

Command Block Output Registers								Command Block Input Registers									
Register	7	6	5	4	3	2	1	0	Register	7	6	5	4	3	2	1	0
Data	-	-	-	-	-	-	-	-	Data	-	-	-	-	-	-	-	-
Feature	0	0	0	0	0	0	1	1	Error	see below							
Sector Count	-	-	-	-	-	-	-	-	Sector Count	-	-	-	-	-	-	-	-
Sector Number	-	-	-	-	-	-	-	-	Sector Number	-	-	-	-	-	-	-	-
Cylinder Low	-	-	-	-	-	-	-	-	Cylinder Low	-	-	-	-	-	-	-	-
Cylinder High	-	-	-	-	-	-	-	-	Cylinder High	-	-	-	-	-	-	-	-
Device/Head	1	-	1	D	-	-	-	-	Device/Head	1	-	1	D	-	-	-	-
Command	1	1	1	1	1	0	0	1	Status	see below							

Error Register							
7	6	5	4	3	2	1	0
CRC	UNC	0	IDN	0	ABT	T0N	AMN
0	0	0	0	0	V	0	0

Status Register							
7	6	5	4	3	2	1	0
BSY	RDY	DF	DSC	DRQ	COR	IDX	ERR
0	V	0	-	-	0	-	V

Figure 136. Set Max Unlock (F9h)

If this command is immediately preceded by a Read Native Max Address command, the device regards it as Set Max Address command

This command requests a transfer of a single sector of data from the host including the information specified in Figure 134 on page 158 with the stored SET MAX password.

If the password compare fails, the device returns an abort error to the host and decrements the unlock attempt counter. This counter is initially set to 5 and is decremented for each password mismatch. When this counter reaches zero, all Set Max Unlock commands are rejected until a hard reset or a power off occurs.

If the password compare matches, the device sets the Set_Max_Unlocked state and all Set Max commands are accepted.

11.30.4 Set Max Freeze Lock (Feature = 04h)

Command Block Output Registers								Command Block Input Registers									
Register	7	6	5	4	3	2	1	0	Register	7	6	5	4	3	2	1	0
Data	-	-	-	-	-	-	-	-	Data	-	-	-	-	-	-	-	-
Feature	0	0	0	0	0	1	0	0	Error	see below							
Sector Count	-	-	-	-	-	-	-	-	Sector Count	-	-	-	-	-	-	-	-
Sector Number	-	-	-	-	-	-	-	-	Sector Number	-	-	-	-	-	-	-	-
Cylinder Low	-	-	-	-	-	-	-	-	Cylinder Low	-	-	-	-	-	-	-	-
Cylinder High	-	-	-	-	-	-	-	-	Cylinder High	-	-	-	-	-	-	-	-
Device/Head	1	-	1	D	-	-	-	-	Device/Head	1	-	1	D	-	-	-	-
Command	1	1	1	1	1	0	0	1	Status	see below							

Error Register							
7	6	5	4	3	2	1	0
CRC	UNC	0	IDN	0	ABT	T0N	AMN
0	0	0	0	0	V	0	0

Status Register							
7	6	5	4	3	2	1	0
BSY	RDY	DF	DSC	DRQ	COR	IDX	ERR
0	V	0	-	-	0	-	V

Figure 137. Set Max Freeze Lock (F9h)

If the Set Max Freeze Lock command is immediately preceded by a Read Native Max Address command, this command is regarded as a Set Max Address command.

The Set Max Freeze Lock command sets the device to Set_Max_Frozen state. After the completion of the command any subsequent Set Max commands are rejected. Commands disabled by Set Max Freeze Lock are the following:

1. Set Max Address
2. Set Max Set PASSWORD
3. Set Max Lock
4. Set Max Unlock

11.31 Set Multiple (C6h)

Command Block Output Registers								Command Block Input Registers									
Register	7	6	5	4	3	2	1	0	Register	7	6	5	4	3	2	1	0
Data	-	-	-	-	-	-	-	-	Data	-	-	-	-	-	-	-	-
Feature	-	-	-	-	-	-	-	-	Error	see below							
Sector Count	V	V	V	V	V	V	V	V	Sector Count	-	-	-	-	-	-	-	-
Sector Number	-	-	-	-	-	-	-	-	Sector Number	-	-	-	-	-	-	-	-
Cylinder Low	-	-	-	-	-	-	-	-	Cylinder Low	-	-	-	-	-	-	-	-
Cylinder High	-	-	-	-	-	-	-	-	Cylinder High	-	-	-	-	-	-	-	-
Device/Head	1	-	1	D	-	-	-	-	Device/Head	-	-	-	-	-	-	-	-
Command	1	1	0	0	0	1	1	0	Status	see below							

Error Register							
7	6	5	4	3	2	1	0
CRC	UNC	0	IDN	0	ABT	T0N	AMN
0	0	0	0	0	V	0	0

Status Register							
7	6	5	4	3	2	1	0
BSY	RDY	DF	DSC	DRQ	COR	IDX	ERR
0	V	0	-	-	0	-	V

Figure 138. Set Multiple Command (C6h)

The Set Multiple command enables the device to perform Read and Write Multiple commands and establishes the block size for these commands. The block size is the number of sectors to be transferred for each interrupt.

If an invalid block size is specified, an Abort error will be returned to the host and Read Multiple and Write Multiple commands will be disabled.

Output parameters to the device

Sector Count The block size to be used for Read Multiple and Write Multiple commands. Valid block sizes can be selected from 0, 1, 2, 4, 8 or 16. If 0 is specified, the Read Multiple and Write Multiple commands are disabled.

11.32 Sleep (E6h/99h)

Command Block Output Registers								Command Block Input Registers									
Register	7	6	5	4	3	2	1	0	Register	7	6	5	4	3	2	1	0
Data	-	-	-	-	-	-	-	-	Data	-	-	-	-	-	-	-	-
Feature	-	-	-	-	-	-	-	-	Error	see below							
Sector Count	-	-	-	-	-	-	-	-	Sector Count	-	-	-	-	-	-	-	-
Sector Number	-	-	-	-	-	-	-	-	Sector Number	-	-	-	-	-	-	-	-
Cylinder Low	-	-	-	-	-	-	-	-	Cylinder Low	-	-	-	-	-	-	-	-
Cylinder High	-	-	-	-	-	-	-	-	Cylinder High	-	-	-	-	-	-	-	-
Device/Head	1	-	1	D	-	-	-	-	Device/Head	-	-	-	-	-	-	-	-
Command	1	1	1	0	0	1	1	0	Status	see below							

Error Register							
7	6	5	4	3	2	1	0
CRC	UNC	0	IDN	0	ABT	T0N	AMN
0	0	0	0	0	V	0	0

Status Register							
7	6	5	4	3	2	1	0
BSY	RDY	DF	DSC	DRQ	COR	IDX	ERR
0	V	0	V	-	0	-	V

Figure 139. Sleep Command (E6h/99h)

This command causes the device to enter Sleep Mode.

The device is spun down and the interface becomes inactive. If the device is already spun down, the spin down sequence is not executed.

The only way to recover from Sleep Mode is with a software reset or a hardware reset.

11.33 S.M.A.R.T. Function Set (B0h)

Command Block Output Registers								Command Block Input Registers									
Register	7	6	5	4	3	2	1	0	Register	7	6	5	4	3	2	1	0
Data	-	-	-	-	-	-	-	-	Data	-	-	-	-	-	-	-	-
Feature	V	V	V	V	V	V	V	V	Error	see below							
Sector Count	V	V	V	V	V	V	V	V	Sector Count	-							
Sector Number	-								Sector Number	-							
Cylinder Low	0	1	0	0	1	1	1	1	Cylinder Low	-							
Cylinder High	1	1	0	0	0	0	1	0	Cylinder High	-							
Device/Head	1	-	1	D	-	-	-	-	Device/Head	-							
Command	1	0	1	1	0	0	0	0	Status	see below							

Error Register							
7	6	5	4	3	2	1	0
CRC	UNC	0	IDN	0	ABT	T0N	AMN
0	V	0	V	0	V	0	V

Status Register							
7	6	5	4	3	2	1	0
BSY	RDY	DF	DSC	DRQ	COR	IDX	ERR
0	V	0	V	-	0	-	V

Figure 140. S.M.A.R.T. Function Set Command (B0h)

The S.M.A.R.T. Function Set command provides access to Attribute Values, Attribute Thresholds, and other low level subcommands that can be used for logging and reporting purposes and to accommodate special user needs. The S.M.A.R.T. Function Set command has several separate subcommands which are selectable via the Features Register of the device when the S.M.A.R.T. Function Set command is issued by the host.

11.33.1 S.M.A.R.T. Subcommand

In order to select a subcommand the host must write the subcommand code to the Features Register of the device before issuing the S.M.A.R.T. Function Set command. The subcommands and their respective codes are listed below.

Code	Subcommand
D0h	SMART Read Attribute Values
D1h	SMART Read Attribute Thresholds
D2h	SMART Enable/disable Attribute Autosave
D3h	SMART Save Attribute Values
D4h	SMART Execute Off-line Immediate
D5h	SMART Read Log Sector
D6h	SMART Write Log Sector
D8h	SMART Enable Operations
D9h	SMART Disable Operations
DAh	SMART Return Status
DBh	SMART Enable/Disable Automatic Off Line

11.33.1.1 SMART Read Attribute Values (Subcommand D0h)

This subcommand returns the Attribute Values of the device to the host. Upon receipt of the SMART Read Attribute Values subcommand from the host the device saves any updated Attribute Values to the Attribute Data sectors and then transfers the 512 bytes of Attribute Value information to the host.

11.33.1.2 SMART Read Attribute Thresholds (Subcommand D1h)

This subcommand returns the Attribute Thresholds of the device to the host. Upon receipt of the SMART Read Attribute Thresholds subcommand from the host, the device reads the Attribute Thresholds from the Attribute Threshold sectors and then transfers the 512 bytes of Attribute Thresholds information to the host.

11.33.1.3 SMART Enable/Disable Attribute Autosave (Subcommand D2h)

This subcommand enables and disables the Attribute Autosave feature of the device. The SMART Enable/Disable Attribute Autosave subcommand either allows the device to automatically save its updated Attribute Values to the Attribute Data Sector periodically or causes the Autosave feature to be disabled. The state of the Attribute Autosave feature (either enabled or disabled) will be preserved by the device across power cycle.

A value of 00h written by the host into the Sector Count Register of the device before issuing the SMART Enable/Disable Attribute Autosave subcommand will cause this feature to be disabled. Disabling this feature does not preclude the device from saving Attribute Values to the Attribute Data sectors during some other normal operation such as during a power-up or power-down.

A value of F1h written by the host into the Sector Count Register of the device before issuing the SMART Enable/Disable Attribute Autosave subcommand will cause this feature to be enabled. Any other non-zero value written by the host into this register before issuing the SMART Enable/Disable Attribute Autosave subcommand will not change the current Autosave status but the device will respond with the error code specified in Figure 151 on page 177.

The SMART Disable Operations subcommand disables the Autosave feature along with the SMART operations of the device.

Upon receipt of the subcommand from the host the device asserts BSY, enables or disables the Autosave feature, clears BSY, and asserts INTRQ.

11.33.1.4 SMART Save Attribute Values (Subcommand D3h)

This subcommand causes the device to immediately save any updated Attribute Values to the Attribute Data sector of the device regardless of the state of the Attribute Autosave feature. Upon receipt of the SMART Save Attribute Values subcommand from the host the device writes any updated Attribute Values to the Attribute Data sector.

11.33.1.5 SMART Execute Off-line Immediate (Subcommand D4h)

This subcommand causes the device to immediately initiate the set of activities that collect Attribute data in an off-line mode (off-line routine) or execute a self-test routine in either captive or off-line mode.

The Sector Number register shall be set to specify the operation to be executed.

Sector Number	Operation to be executed
0	Execute SMART off-line data collection routine immediately
1	Execute SMART Short self-test routine immediately in off-line mode
2	Execute SMART Extended self-test routine immediately in off-line mode
127	Abort off-line mode self-test routine
129	Execute SMART Short self-test routine immediately in captive mode
130	Execute SMART Extended self-test routine immediately in captive mode

Off-line mode: The device executes command completion before executing the specified routine. During execution of the routine the device will not set BSY nor clear DRDY. If the device is in the process of performing its routine and is interrupted by a new command from the host, the device will abort or suspend its routine and service the host within two seconds after receipt of the new command. After servicing the interrupting command, the device will resume its routine automatically or not start its routine depending on the interrupting command.

Captive mode: When executing self-test in captive mode, the device sets BSY to one and executes the specified self-test routine after receipt of the command. At the end of the routine the device sets the execution result in the Self-test execution status byte (Figure 142 on page 168) and ATA registers as below and executes command completion.

Status	Set ERR to one when self-test has failed
Error	Set ABRT to one when self-test has failed
Cyl Low	Set to F4h when self-test has failed
Cyl High	Set to 2Ch when self-test has failed

11.33.1.6 SMART Read Log Sector (Subcommand D5h)

This command returns the specified log sector contents to the host.

The 512 bytes data are returned at a command and the Sector Count value shall be set to one. The Sector Number shall be set to specify the log sector address.

Log sector address	Content	Type
01h	SMART Error Log	Read Only
06h	SMART Self-test log	Read Only
80h-9Fh	Host vendor specific	Read/Write

Figure 141. Log sector addresses

11.33.1.7 SMART Write Log Sector (Subcommand D6h)

This command writes 512 bytes data to the specified log sector.

The 512 bytes data are transferred at a command and the Sector Count value shall be set to one. The Sector Number shall be set to specify the log sector address as shown in the above figure. If the Read Only log sector is specified, the device returns ABRT error.

11.33.1.8 SMART Enable Operations (Subcommand D8h)

This subcommand enables access to all S.M.A.R.T. capabilities within the device. Prior to receipt of a SMART Enable Operations subcommand, Attribute Values are neither monitored nor saved by the device. The state of S.M.A.R.T. (either enabled or disabled) will be preserved by the device across power cycles. When enabled, the receipt of subsequent SMART Enable Operations subcommands will not affect any of the Attribute Values.

Upon receipt of the SMART Enable Operations subcommand from the host the device enables S.M.A.R.T. capabilities and functions and then saves any updated Attribute Values to the Attribute Data sector.

11.33.1.9 SMART Disable Operations (Subcommand D9h)

This subcommand disables all S.M.A.R.T. capabilities within the device including the attribute Autosave feature of the device. After receipt of this subcommand the device disables all S.M.A.R.T. operations. Non-self-preserved Attribute Values will no longer be monitored. The state of S.M.A.R.T. (either enabled or disabled) is preserved by the device across power cycles.

Upon receipt of the SMART Disable Operations subcommand from the host the device disables S.M.A.R.T. capabilities and functions and then saves any updated Attribute Values to the Attribute Data sector.

After receipt of the device of the SMART Disable Operations subcommand from the host all other S.M.A.R.T. subcommands – with the exception of SMART Enable Operations – are disabled and invalid and will be aborted by the device (including the SMART Disable Operations subcommand), returning the error code as specified in Figure 151 on page 177.

Any Attribute Values accumulated and saved to volatile memory prior to receipt of the SMART Disable Operations command will be preserved in the Attribute Data Sectors of the device. If the device is re-enabled, these Attribute Values will be updated as needed upon receipt of a SMART Read Attribute Values or SMART Save Attribute Values command.

11.33.1.10 SMART Return Status (Subcommand DAh)

This command is used to communicate the reliability status of the device upon the request of the host. Upon receipt of the SMART Return Status subcommand the device saves any updated Pre-failure type Attribute Values to the reserved sector and compares the updated Attribute Values to the Attribute Thresholds.

If the device does not detect a Threshold Exceeded Condition, the device loads 4Fh into the Cylinder Low register and C2h into the Cylinder High register.

If the device detects a Threshold Exceeded Condition, the device loads F4h into the Cylinder Low register and 2Ch into the Cylinder High register.

11.33.1.11 SMART Enable/Disable Automatic Off-line (Subcommand DBh)

This subcommand enables and disables the optional feature that causes the device to perform the set of off-line data collection activities that automatically collect attribute data in an off-line mode and then saves this data to the nonvolatile memory of the device. This subcommand may either cause the device to automatically initiate or resume performance of its off-line data collection activities or cause the Automatic Off-line Data Collection feature to be disabled.

A value of zero written by the host into the Sector Count register of the device before issuing this subcommand causes the feature to be disabled. Disabling this feature does not preclude the device from saving attribute values to nonvolatile memory during some other normal operation such as during a power-on or power-off sequence or during an error recovery sequence.

A value of F8h written by the host into the Sector Count register of the device before issuing this subcommand causes this feature to be enabled. Any other nonzero value written by the host into this register before issuing this subcommand is vendor specific and does not change the current Automatic Off-line Data Collection status, but the device may respond with the error code specified in Figure 151 on page 177.

11.33.2 Device Attributes Data Structure

The following defines the 512 bytes that make up the Attribute Value information. This data structure is accessed by the host in its entirety using the SMART Read Attribute Values subcommand. All multibyte fields shown in these data structures are in byte ordering, that is, the least significant byte occupies the lowest numbered byte address location in the field.

Description	Byte	Offset	Value
Data Structure Revision Number	2	00h	0010h
1st Device Attribute	12	02h	
...	..		
...	..		
30th Device Attribute	12	15Eh	
Off-line data collection status	1	16Ah	
Self-test execution status	1	16Bh	
Total time in seconds to complete off-line data collection activity	2	16Ch	
Vendor specific	1	16Eh	
Off-line data collection capability	1	16Fh	1Bh
SMART capability	2	170h	0003h
SMART device error logging capability	1	172h	01h
Self-test failure check point	1	173h	
Short self-test completion time in minutes	1	174h	
Extended self-test completion time in minutes	1	175h	
Reserved	12	176h	
Vendor specific	125	182h	
Data structure checksum	1	1FFh	
	512		

Figure 142. Device Attributes Data Structure

11.33.2.1 Data Structure Revision Number

The Data Structure Revision Number identifies which version of this data structure is implemented by the device. This revision number identifies both the Attribute Value and Attribute Threshold Data structures.

11.33.2.2 Individual Attribute Data Structure

The following defines the 12 bytes that make up the information for each Attribute entry in the Device Attribute Data Structure.

Description	Byte	Offset
Attribute ID Number (01h to FFh)	1	00h
Status flags	2	01h
Attribute Value (valid values from 01h to FDh)	1	03h
Vendor Specific	8	04h
Total Bytes	12	

Figure 143. Individual Attribute Data Structure

Attribute ID Numbers

Any nonzero value in the Attribute ID Number indicates an active attribute. The device supports the following Attribute ID Numbers.

ID	Attribute Name
0	Indicates that this entry in the data structure is not used
1	Raw Read Error Rate
2	Throughput Performance
3	Spin Up Time
4	Start/Stop Count
5	Reallocated Sector Count
7	Seek Error Rate
8	Seek Time Performance
9	Power-on Hours Count
10	Spin Retry Count
12	Device Power Cycle Count
192	Power-off Retract Count
193	Load Cycle Count
194	Temperature
196	Reallocation Event Count
197	Current Pending Sector Count
198	Off-line Scan Uncorrectable Sector Count
199	Ultra DMA CRC Error Count

Status Flag definitions

Bit	Definition
0	Pre-failure/advisory bit
0	An attribute value less than or equal to its corresponding attribute threshold indicates an advisory condition where the usage or age of the device has exceeded its intended design life period.
1	An attribute value less than or equal to its corresponding attribute threshold indicates a pre-Failure condition where imminent loss of data is being predicted.
1	On-line Collective bit
0	The attribute value is updated only during Off-line testing.
1	The attribute value is updated during On-line testing or during both On-line and Off-line testing.
2 - 5	Vendor specific
6 - 15	Reserved (0)

Normalized values

The device performs conversion of the raw attribute values to transform them into normalized values, which the host can then compare with the threshold values. A threshold is the excursion limit for a normalized attribute value.

11.33.2.3 Off-line Data Collection Status

The value of this byte defines the current status of the off-line activities of the device. Bit 7 indicates Automatic Off-line Data Collection Status.

Bit 7	Automatic Off-line Data Collection Status
1	Automatic Off-line Data Collection is enabled
0	Automatic Off-line Data Collection is disabled

Bits 0 thru 6 represents a hexadecimal status value reported by the device.

Value	Definition
0	Off-line data collection never started
2	All segments completed without errors
4	Off-line data collecting suspended by interrupting command
5	Off-line data collecting aborted by interrupting command
6	Off-line data collection aborted with fatal error

11.33.2.4 Self-test execution status

Bit	Definition
0-3	Percent Self-test remaining. An approximate percentage of the self-test routine remaining until completion; given in ten percent increments. Valid values are 0 through 9
4-7	Current Self-test execution status
0	The self-test routine completed without error or has not been run
1	The self-test routine aborted by the host
2	The self-test routine interrupted by the host with a hard or soft reset
3	The device was unable to complete the self-test routine due to a fatal error or to unknown test error
4	The self-test routine completed with unknown element failure
5	The self-test routine completed with electrical element failure
6	The self-test routine completed with servo element failure
7	The self-test routine completed with read element failure
15	The self-test routine in progress

11.33.2.5 Total time in seconds to complete off-line data collection activity

This field tells the host how many seconds the device requires to complete the off-line data collection activity.

11.33.2.6 Off-line data collection capability

Bit	Definition
0	Execute Off-line Immediate implemented bit 0 SMART Execute Off-line Immediate subcommand is not implemented 1 SMART Execute Off-line Immediate subcommand is implemented
1	Enable/disable Automatic Off-line implemented bit 0 SMART Enable/disable Automatic Off-line subcommand is not implemented 1 SMART Enable/disable Automatic Off-line subcommand is implemented
2	Abort/restart off-line by host bit 0 The device suspends off-line data collection activity after an interrupting command and resume it after some vendor specific event 1 The device aborts off-line data collection activity upon receipt of a new command
3	Off-line Read Scanning implemented bit 0 The device does not support Off-line Read Scanning 1 The device supports Off-line Read Scanning
4	Self-test implemented bit 0 Self-test routine is not implemented 1 Self-test routine is implemented
5-7	Reserved (0)

11.33.2.7 S.M.A.R.T. capability

This word of bit flags describes the S.M.A.R.T. capabilities of the device. The device will return 03h indicating that the device will save its Attribute Values prior to going into a power saving mode and supports the SMART ENABLE/DISABLE ATTRIBUTE AUTOSAVE command.

Bit	Definition
0	Pre-power mode attribute saving capability If bit = 1, the device will save its Attribute Values prior to going into a power saving model (Standby or Sleep mode).
1	Attribute Autosave capability If bit = 1, the device supports the SMART ENABLE/DISABLE ATTRIBUTE AUTOSAVE command.
2-15	Reserved (0)

11.33.2.8 Error logging capability

Bit	Definition
7-1	Reserved (0)
0	Error Logging support bit

If bit = 1, the device supports the Error Logging

11.33.2.9 Self-test failure check point

This byte indicates the section of the self-test where the device detected a failure.

11.33.2.10 Self-test completion time

These bytes are the minimum time in minutes to complete the self-test.

11.33.2.11 Data Structure Checksum

The Data Structure Checksum is the two's complement of the result of a simple 8-bit addition of the first 511 bytes in the data structure.

11.33.3 Device Attribute Thresholds Data Structure

The following defines the 512 bytes that make up the Attribute Threshold information. This data structure is accessed by the host in its entirety using the SMART Read Attribute Thresholds. All multibyte fields shown in these data structures are in byte ordering, that is, the least significant byte occupies the lowest numbered byte address location in the field.

The sequence of active Attribute Thresholds will appear in the same order as their corresponding Attribute Values.

Description	Byte	Offset	Value
Data Structure Revision Number	2	00h	0010h
1st Device Attribute	12	02h	
...	..		
...	..		
30th Device Attribute	12	15Eh	
Reserved	18	16Ah	00h
Vendor specific	131	17Ch	00h
Data structure checksum	1	1FFh	
	512		

Figure 144. Device Attribute Thresholds Data Structure

11.33.3.1 Data Structure revision number

This value is the same as the value used in the Device Attributes Values Data Structure.

11.33.3.2 Individual Thresholds Data Structure

The following defines the 12 bytes that make up the information for each Threshold entry in the Device Attribute Thresholds Data Structure. Attribute entries in the Individual Threshold Data Structure is in the same order and correspond to the entries in the Individual Attribute Data Structure.

Description	Byte	Offset
Attribute ID Number (01h to FFh)	1	00h
Attribute Threshold	1	01h
Reserved (00h)	10	02h
Total bytes	12	

Figure 145. Individual Threshold Data Structure

11.33.3.3 Attribute ID numbers

Attribute ID Numbers supported by the device are the same as Attribute Values Data Structures.

11.33.3.4 Attribute Threshold

These values are preset at the factory and are not intended to be changeable.

11.33.3.5 Data Structure Checksum

The Data Structure Checksum is the two's complement of the result of a simple 8-bit addition of the first 511 bytes in the data structure.

11.33.4 SMART error log sector

The following figure defines the 512 bytes that make up the SMART error log sector. All multibyte fields shown in these data structures are in byte ordering.

Description	Byte	Offset
SMART error log version	1	00h
Error log pointer	1	01h
1st error log data structure	90	02h
2nd error log data structure	90	5Ch
3rd error log data structure	90	B6h
4th error log data structure	90	110h
5th error log data structure	90	16Ah
Device error count	2	1C4h
Reserved	57	1C6h
Data structure checksum	1	1FFh
	512	

Figure 146. SMART error log sector

11.33.4.1 SMART error log version

This value is set to 01h.

11.33.4.2 Error log pointer

This points to the most recent error log data structure. Only values 1 through 5 are valid.

11.33.4.3 Device error count

This field contains the total number of errors. The value will not roll over.

11.33.4.4 Error log data structure

Data format of error data structure is shown below.

Description	Byte	Offset
1st command data structure	12	00h
2nd command data structure	12	0Ch
3rd command data structure	12	18h
4th command data structure	12	24h
5th command data structure	12	30h
Error data structure	30	3Ch
	90	

Figure 147. Error log data structure

Command data structure

Data format of each command data structure is shown below.

Description	Byte	Offset
Device Control register	1	00h
Features register	1	01h
Sector count register	1	02h
Sector number register	1	03h
Cylinder Low register	1	04h
Cylinder High register	1	05h
Device/Head register	1	06h
Command register	1	07h
Time stamp (ms from Power On)	4	08h
	12	

Figure 148. Command data structure

Error data structure: Data format of error data structure is shown below.

Description	Byte	Offset
Reserved	1	00h
Error register	1	01h
Sector count register	1	02h
Sector number register	1	03h
Cylinder Low register	1	04h
Cylinder High register	1	05h
Device/Head register	1	06h
Status register	1	07h
Extended error data (vendor specific)	19	08h
State	1	1Bh
Life time stamp (hours)	2	1Ch
	30	

Figure 149. Error data structure

The state field contains a value indicating the device state when the command was issued to the device.

Value	State
x0h	Unknown
x1h	Sleep
x2h	Standby
x3h	Active/Idle
x4h	SMART Off-line or Self-test
x5h-xAh	Reserved
xBh-xFh	Vendor specific

The value of 'x' is vendor specific.

11.33.5 Self-test log data structure

The following figure defines the 512 bytes that make up the Self-test log sector. All multibyte fields shown in these data structures are in byte ordering.

Description	Byte	Offset
Data structure revision	2	00h
Self-test number	1	n*18h+02h
Self-test execution status	1	n*18h+03h
Life time power on hours	2	n*18h+04h
Self-test failure check point	1	n*18h+06h
LBA of first failure	4	n*18h+07h
Vendor specific	15	n*18h+0Bh
...		
Vendor specific	2	1FAh
Self-test log pointer	1	1FCh
Reserved	2	1FDh
Data structure checksum	1	1FFh
	512	

Note: n is 0 through 20

Figure 150. Self-test log data structure

The data structure contains the descriptor of Self-test that the device has performed. Each descriptor is 24 bytes long and the self-test data structure is capable of containing up to 21 descriptors.

After 21 descriptors have been recorded, the oldest descriptor will be overwritten with a new descriptor.

The self-test log pointer points to the most recent descriptor. When there is no descriptor, the value is 0. When there are one or more descriptors, the value is 1 through 21.

11.33.6 Error reporting

The following table shows the values returned in the Status and Error Registers when specific error conditions are encountered by a device.

Error condition	Status Register	Error Register
A S.M.A.R.T. FUNCTION SET command was received by the device without the required key being loaded into the Cylinder High and Cylinder Low registers.	51h	04h
A S.M.A.R.T. FUNCTION SET command was received by the device with a subcommand value in the Features Register that is either invalid or not supported by this device.	51h	04h
A S.M.A.R.T. FUNCTION SET command subcommand other than SMART ENABLE OPERATIONS was received by the device while the device was in a "S.M.A.R.T. Disabled" state.	51h	04h
The device is unable to read its Attribute Values or Attribute Thresholds data structure.	51h	10h or 40h
The device is unable to write to its Attribute Values data structure.	51h	10h or 01h

Figure 151. S.M.A.R.T. Error Codes

11.34 Standby (E2h/96h)

Command Block Output Registers								Command Block Input Registers									
Register	7	6	5	4	3	2	1	0	Register	7	6	5	4	3	2	1	0
Data	-	-	-	-	-	-	-	-	Data	-	-	-	-	-	-	-	-
Feature	-	-	-	-	-	-	-	-	Error	see below							
Sector Count	V	V	V	V	V	V	V	V	Sector Count	-	-	-	-	-	-	-	-
Sector Number	-	-	-	-	-	-	-	-	Sector Number	-	-	-	-	-	-	-	-
Cylinder Low	-	-	-	-	-	-	-	-	Cylinder Low	-	-	-	-	-	-	-	-
Cylinder High	-	-	-	-	-	-	-	-	Cylinder High	-	-	-	-	-	-	-	-
Device/Head	1	-	1	D	-	-	-	-	Device/Head	-	-	-	-	-	-	-	-
Command	1	1	1	0	0	0	1	0	Status	see below							

Error Register							
7	6	5	4	3	2	1	0
CRC	UNC	0	IDN	0	ABT	T0N	AMN
0	0	0	0	0	V	0	0

Status Register							
7	6	5	4	3	2	1	0
BSY	RDY	DF	DSC	DRQ	COR	IDX	ERR
0	V	0	V	-	0	-	V

Figure 152. Standby Command (E2h/96h)

The Standby command causes the device to enter the Standby Mode immediately and to set the auto power down time-out parameter (standby timer).

When the Standby mode is entered, the drive is spun down but the interface remains active. If the drive is already spun down, the spin down sequence is not executed.

During the Standby mode the drive will respond to commands but there is a delay while waiting for the spindle to reach operating speed.

The automatic power down sequence is enabled and the timer starts counting down when the drive returns to Idle mode.

Output Parameters To The Drive

Sector Count Time-out Parameter. If it is 0, the automatic power down sequence is disabled. If it is nonzero, the automatic power down sequence is enabled. The time-out interval is shown below:

Value	Time-out
0	Timer disabled
1-240	Value x 5 seconds
241-251	(Value-240) x 30 minutes
252	21 minutes
253	8 hours
254	21 minutes 10 seconds
255	21 minutes 15 seconds

When the automatic power down sequence is enabled, the drive will enter Standby mode automatically if the time-out interval expires with no drive access from the host. The time-out interval will be reinitialized if there is a drive access before the time-out interval expires.

11.35 Standby Immediate (E0h/94h)

Command Block Output Registers								Command Block Input Registers									
Register	7	6	5	4	3	2	1	0	Register	7	6	5	4	3	2	1	0
Data	-	-	-	-	-	-	-	-	Data	-	-	-	-	-	-	-	-
Feature	-	-	-	-	-	-	-	-	Error	see below							
Sector Count	-	-	-	-	-	-	-	-	Sector Count	-	-	-	-	-	-	-	-
Sector Number	-	-	-	-	-	-	-	-	Sector Number	-	-	-	-	-	-	-	-
Cylinder Low	-	-	-	-	-	-	-	-	Cylinder Low	-	-	-	-	-	-	-	-
Cylinder High	-	-	-	-	-	-	-	-	Cylinder High	-	-	-	-	-	-	-	-
Device/Head	1	-	1	D	-	-	-	-	Device/Head	-	-	-	-	-	-	-	-
Command	1	1	1	0	0	0	0	0	Status	see below							

Error Register							
7	6	5	4	3	2	1	0
CRC	UNC	0	IDN	0	ABT	T0N	AMN
0	0	0	0	0	V	0	0

Status Register							
7	6	5	4	3	2	1	0
BSY	RDY	DF	DSC	DRQ	COR	IDX	ERR
0	V	0	V	-	0	-	V

Figure 153. Standby Immediate Command (E0h/94h)

The Standby Immediate command causes the device to enter Standby mode immediately.

The device is spun down but the interface remains active. If the device is already spun down, the spin down sequence is not executed.

During the Standby mode the device will respond to commands, but there is a delay while waiting for the spindle to reach operating speed.

The Standby Immediate command will not affect the auto power down time-out parameter.

11.36 Write Buffer (E8h)

Command Block Output Registers								Command Block Input Registers									
Register	7	6	5	4	3	2	1	0	Register	7	6	5	4	3	2	1	0
Data	-	-	-	-	-	-	-	-	Data	-	-	-	-	-	-	-	-
Feature	-	-	-	-	-	-	-	-	Error	see below							
Sector Count	-	-	-	-	-	-	-	-	Sector Count	-	-	-	-	-	-	-	-
Sector Number	-	-	-	-	-	-	-	-	Sector Number	-	-	-	-	-	-	-	-
Cylinder Low	-	-	-	-	-	-	-	-	Cylinder Low	-	-	-	-	-	-	-	-
Cylinder High	-	-	-	-	-	-	-	-	Cylinder High	-	-	-	-	-	-	-	-
Device/Head	1	-	1	D	-	-	-	-	Device/Head	-	-	-	-	-	-	-	-
Command	1	1	1	0	1	0	0	0	Status	see below							

Error Register							
7	6	5	4	3	2	1	0
CRC	UNC	0	IDN	0	ABT	T0N	AMN
0	0	0	0	0	V	0	0

Status Register							
7	6	5	4	3	2	1	0
BSY	RDY	DF	DSC	DRQ	COR	IDX	ERR
0	V	0	-	-	0	-	V

Figure 154. Write Buffer Command (E8h)

The Write Buffer command transfers a sector of data from the host to the sector buffer of the device. The sectors of data are transferred through the Data Register 16 bits at a time.

The Read Buffer and Write Buffer commands are synchronized so that sequential Write Buffer and Read Buffer commands access the same 512 bytes within the buffer.

11.37 Write DMA (CAh/CBh)

Command Block Output Registers								Command Block Input Registers									
Register	7	6	5	4	3	2	1	0	Register	7	6	5	4	3	2	1	0
Data	-	-	-	-	-	-	-	-	Data	-	-	-	-	-	-	-	-
Feature	-	-	-	-	-	-	-	-	Error	see below							
Sector Count	V	V	V	V	V	V	V	V	Sector Count	V	V	V	V	V	V	V	V
Sector Number	V	V	V	V	V	V	V	V	Sector Number	V	V	V	V	V	V	V	V
Cylinder Low	V	V	V	V	V	V	V	V	Cylinder Low	V	V	V	V	V	V	V	V
Cylinder High	V	V	V	V	V	V	V	V	Cylinder High	V	V	V	V	V	V	V	V
Device/Head	1	L	1	D	H	H	H	H	Device/Head	-	-	-	-	H	H	H	H
Command	1	1	0	0	1	0	1	R	Status	see below							

Error Register							
7	6	5	4	3	2	1	0
CRC	UNC	0	IDN	0	ABT	T0N	AMN
V	0	0	V	0	V	0	0

Status Register							
7	6	5	4	3	2	1	0
BSY	RDY	DF	DSC	DRQ	COR	IDX	ERR
0	V	V	V	-	0	-	V

Figure 155. Write DMA Command (CAh/CBh)

The Write DMA command transfers one or more sectors of data from the host to the device. The data is then written to the disk media.

The sectors of data are transferred through the Data Register 16 bits at a time.

The host initializes a slave-DMA channel prior to issuing the command. Data transfers are qualified by DMARQ and are performed by the slave-DMA channel. The device issues only one interrupt per command to indicate that the data transfer has terminated and the status is available.

If an uncorrectable error occurs, the write will be terminated at the failing sector.

Output parameters to the device

- Sector Count** The number of continuous sectors to be transferred. If 0 is specified, 256 sectors will be transferred.
- Sector Number** The sector number of the first sector to be transferred. (L=0)
In LBA mode this register contains LBA bits 0 - 7. (L=1)
- Cylinder High/Low** The cylinder number of the first sector to be transferred. (L=0)
In LBA mode this register contains LBA bits 8 - 15 (Low), 16 - 23 (High). (L=1)
- H** The head number of the first sector to be transferred. (L=0)
In LBA mode this register contains LBA bits 24 - 27. (L=1)
- R** The retry bit. This bit is ignored.

Input parameters from the device

Sector Count	The number of requested sectors not transferred. This will be zero unless an unrecoverable error occurs.
Sector Number	The sector number of the last transferred sector. (L=0) In LBA mode this register contains current LBA bits 0 - 7. (L=1)
Cylinder High/Low	The cylinder number of the last transferred sector. (L=0) In LBA mode this register contains current LBA bits 8 - 15 (Low), 16 - 23 (High). (L=1)
H	The head number of the last transferred sector. (L=0) In LBA mode this register contains current LBA bits 24 - 27. (L=1)

11.38 Write DMA Queued (CCh)

Command Block Output Registers								Command Block Input Registers									
Register	7	6	5	4	3	2	1	0	Register	7	6	5	4	3	2	1	0
Data	-	-	-	-	-	-	-	-	Data	-	-	-	-	-	-	-	-
Feature	V	V	V	V	V	V	V	V	Error	see below							
Sector Count	V	V	V	V	V	V	V	V	Sector Count	V	V	V	V	V	V	V	V
Sector Number	V	V	V	V	V	V	V	V	Sector Number	V	V	V	V	V	V	V	V
Cylinder Low	V	V	V	V	V	V	V	V	Cylinder Low	V	V	V	V	V	V	V	V
Cylinder High	V	V	V	V	V	V	V	V	Cylinder High	V	V	V	V	V	V	V	V
Device/Head	1	L	1	D	H	H	H	H	Device/Head	-	-	-	-	H	H	H	H
Command	1	1	0	0	1	1	0	0	Status	see below							

Error Register							
7	6	5	4	3	2	1	0
CRC	UNC	0	IDN	0	ABT	T0N	AMN
V	0	0	V	0	V	0	V

Status Register							
7	6	5	4	3	2	1	0
BSY	RDY	DF	SRV	DRQ	COR	IDX	ERR
0	V	0	V	-	0	-	V

Figure 156. Write DMA Queued Command (CCh)

This command executes in a similar manner to a WRITE DMA command. The device may perform a bus release or it may execute the data transfer without performing a bus release if the data is ready to be transferred.

If the device performs a bus release, the host shall reselect the device using the SERVICE command.

When the data transfer has begun, the device does not perform a bus release until the entire data transfer has been completed.

Output parameters to the device

- Feature** Number of sectors to be transferred. A value of 00h indicates that 256 sectors are to be transferred.
- Sector Count** Bits 7 - 3 (Tag) contain the Tag for the command being delivered.
- Sector Number** Starting sector number or LBA address bits 7 - 0.
- Cylinder High/Low** Starting cylinder number or LBA address bits 23 - 8.
- H** Starting head number or LBA address bits 27 - 24.

Input parameters from the device on bus release

Sector Count Bits 7 - 3 (Tag) contain the Tag of the command being bus released.
Bit 2 (REL) is set to one.
Bit 1 (I/O) is cleared to zero.
Bit 0 (C/D) is cleared to zero.

Sector Number, Cylinder High/Low, H n/a.

SRV Cleared to zero when the device performs a bus release. This bit is set to 1 when the device is ready to transfer data.

Input parameters from the device on Command Complete

Sector Count Bits 7 - 3 (Tag) contain the Tag of the completed command.
Bit 2 (REL) is cleared to 0.
Bit 1 (I/O) is set to one.
Bit 0 (C/D) is set to one.

Sector Number, Cylinder High/Low, H
Sector address of unrecoverable error (applicable only when an unrecoverable error has occurred.)

SRV Cleared to 0.

11.39 Write Long (32h/33h)

Command Block Output Registers								Command Block Input Registers									
Register	7	6	5	4	3	2	1	0	Register	7	6	5	4	3	2	1	0
Data	-	-	-	-	-	-	-	-	Data	-	-	-	-	-	-	-	-
Feature	-	-	-	-	-	-	-	-	Error	see below							
Sector Count	0	0	0	0	0	0	0	1	Sector Count	-	-	-	-	-	-	-	V
Sector Number	V	V	V	V	V	V	V	V	Sector Number	V	V	V	V	V	V	V	V
Cylinder Low	V	V	V	V	V	V	V	V	Cylinder Low	V	V	V	V	V	V	V	V
Cylinder High	V	V	V	V	V	V	V	V	Cylinder High	V	V	V	V	V	V	V	V
Device/Head	1	L	1	D	H	H	H	H	Device/Head	-	-	-	-	H	H	H	H
Command	0	0	1	1	0	0	1	R	Status	see below							

Error Register							
7	6	5	4	3	2	1	0
CRC	UNC	0	IDN	0	ABT	T0N	AMN
0	0	0	V	0	V	0	0

Status Register							
7	6	5	4	3	2	1	0
BSY	RDY	DF	DSC	DRQ	COR	IDX	ERR
0	V	V	V	-	0	-	V

Figure 157. Write Long Command (32h/33h)

The Write Long command transfers the data and the ECC bytes of the designated sector from the host to the device. The data and the ECC bytes are then written to the disk media.

After 512 bytes of data have been transferred, the device will keep setting DRQ=1 to indicate that the device is ready to receive the ECC bytes from the host. The data is transferred 16 bits at a time; the ECC bytes are transferred 8 bits at a time. The number of ECC bytes is 4 or 52 according to the setting of the Set Feature option. The default number after power-on is 4 bytes.

Output parameters to the device

- Sector Count** The number of continuous sectors to be transferred. The Sector Count must be set to one.
- Sector Number** The sector number of the sector to be transferred. (L=0)
In LBA mode this register contains LBA bits 0 - 7. (L=1)
- Cylinder High/Low** The cylinder number of the sector to be transferred. (L=0)
In LBA mode this register contains LBA bits 8 - 15 (Low), 16 - 23 (High). (L=1)
- H** The head number of the sector to be transferred. (L=0)
In LBA mode this register contains LBA bits 24 - 27. (L=1)
- R** The retry bit. This bit is ignored.

Input parameters from the device

Sector Count	The number of requested sectors not transferred.
Sector Number	The sector number of the sector to be transferred. (L=0) In LBA mode this register contains current LBA bits 0 - 7. (L=1)
Cylinder High/Low	The cylinder number of the sector to be transferred. (L=0) In LBA mode this register contains current LBA bits 8 - 15 (Low), 16 - 23 (High). (L=1)
H	The head number of the sector to be transferred. (L=0) In LBA mode this register contains current LBA bits 24 - 27. (L=1)

The drive internally uses 52 bytes of ECC on all data read or writes. The 4 byte mode of operation is provided via an emulation technique. As a consequence of this emulation it is recommended that the 52 byte ECC mode be used for all tests to confirm the operation of the ECC hardware. Unexpected results may occur if such testing is performed using the 4 byte mode.

11.40 Write Multiple (C5h)

Command Block Output Registers								Command Block Input Registers									
Register	7	6	5	4	3	2	1	0	Register	7	6	5	4	3	2	1	0
Data	-	-	-	-	-	-	-	-	Data	-	-	-	-	-	-	-	-
Feature	-	-	-	-	-	-	-	-	Error	see below							
Sector Count	V	V	V	V	V	V	V	V	Sector Count	V	V	V	V	V	V	V	V
Sector Number	V	V	V	V	V	V	V	V	Sector Number	V	V	V	V	V	V	V	V
Cylinder Low	V	V	V	V	V	V	V	V	Cylinder Low	V	V	V	V	V	V	V	V
Cylinder High	V	V	V	V	V	V	V	V	Cylinder High	V	V	V	V	V	V	V	V
Device/Head	1	L	1	D	H	H	H	H	Device/Head	-	-	-	-	H	H	H	H
Command	1	1	0	0	0	1	0	1	Status	see below							

Error Register							
7	6	5	4	3	2	1	0
CRC	UNC	0	IDN	0	ABT	T0N	AMN
0	0	0	V	0	V	0	0

Status Register							
7	6	5	4	3	2	1	0
BSY	RDY	DF	DSC	DRQ	COR	IDX	ERR
0	V	V	V	-	0	-	V

Figure 158. Write Multiple Command (C5h)

The Write Multiple command transfers one or more sectors from the host to the device. The data is then written to the disk media.

Command execution is identical to the Write Sectors command except that an interrupt is generated for each block (as defined by the Set Multiple command) instead of for each sector. The sectors are transferred through the Data Register 16 bits at a time.

Output parameters to the device

- Sector Count** The number of continuous sectors to be transferred. If zero is specified, 256 sectors will be transferred.
- Sector Number** The sector number of the first sector to be transferred. (L=0)
In LBA mode this register contains LBA bits 0 - 7. (L=1)
- Cylinder High/Low** The cylinder number of the first sector to be transferred. (L=0)
In LBA mode this register contains LBA bits 8 - 15 (Low), 16 - 23 (High). (L=1)
- H** The head number of the first sector to be transferred. (L=0)
In LBA mode this register contains LBA bits 24 - 27. (L=1)

Input Parameters From The Device

- Sector Count** The number of requested sectors not transferred. This will be zero unless an unrecoverable error occurs.

Sector Number The sector number of the last transferred sector. (L=0)
In LBA mode this register contains current 1.5 LBA bits 0 - 7. (L=1)

Cylinder High/Low The cylinder number of the last transferred sector. (L=0)
In LBA mode this register contains current LBA bits 8 - 15 (Low), 16 - 23 (High).
(L=1)

H The head number of the last transferred sector. (L=0)
In LBA mode this register contains current LBA bits 24 - 27. (L=1)

11.41 Write Sectors (30h/31h)

Command Block Output Registers								Command Block Input Registers									
Register	7	6	5	4	3	2	1	0	Register	7	6	5	4	3	2	1	0
Data	-	-	-	-	-	-	-	-	Data	-	-	-	-	-	-	-	-
Feature	-	-	-	-	-	-	-	-	Error	see below							
Sector Count	V	V	V	V	V	V	V	V	Sector Count	V	V	V	V	V	V	V	V
Sector Number	V	V	V	V	V	V	V	V	Sector Number	V	V	V	V	V	V	V	V
Cylinder Low	V	V	V	V	V	V	V	V	Cylinder Low	V	V	V	V	V	V	V	V
Cylinder High	V	V	V	V	V	V	V	V	Cylinder High	V	V	V	V	V	V	V	V
Device/Head	1	L	1	D	H	H	H	H	Device/Head	-	-	-	-	H	H	H	H
Command	0	0	1	1	0	0	0	R	Status	see below							

Error Register							
7	6	5	4	3	2	1	0
CRC	UNC	0	IDN	0	ABT	T0N	AMN
0	0	0	V	0	V	0	0

Status Register							
7	6	5	4	3	2	1	0
BSY	RDY	DF	DSC	DRQ	COR	IDX	ERR
0	V	V	V	-	0	-	V

Figure 159. Write Sectors Command (30h/31h)

The Write Sectors command transfers one or more sectors from the host to the device; the data is then written to the disk media.

The sectors are transferred through the Data Register 16 bits at a time.

If an uncorrectable error occurs, the write will be terminated at the failing sector.

Output parameters to the device

- Sector Count** The number of continuous sectors to be transferred. If zero is specified, 256 sectors will be transferred.
- Sector Number** The sector number of the first sector to be transferred. (L=0)
In LBA mode this register contains LBA bits 0 - 7. (L=1)
- Cylinder High/Low** The cylinder number of the first sector to be transferred. (L=0)
In LBA mode this register contains LBA bits 8 - 15 (Low), 16 - 23 (High). (L=1)
- H** The head number of the first sector to be transferred. (L=0)
In LBA mode this register contains LBA bits 24 - 27. (L=1)
- R** The retry bit. This bit is ignored.

Input parameters from the device

Sector Count	The number of requested sectors not transferred. This will be zero unless an unrecoverable error occurs.
Sector Number	The sector number of the last transferred sector. (L=0) In LBA mode this register contains current LBA bits 0 - 7. (L=1)
Cylinder High/Low	The cylinder number of the last transferred sector. (L=0) In LBA mode this register contains current LBA bits 8 - 15 (Low), 16 - 23 (High). (L=1)
H	The head number of the last transferred sector. (L=0) In LBA mode this register contains current LBA bits 24 - 27. (L=1)

This page intentionally left blank.

12.0 Timings

The timing of BSY and DRQ in Status Register is shown in the figure below.

Function	Interval	Start	Stop	Time-out
Power On	Device Busy After Power On	Power On	Status Register BSY=1	400 ns
	Device Ready After Power On	Power On	Status Register BSY=1 and RDY=1	31 sec
Software Reset	Device Busy After Software Reset	Device Control Register RST=1	Status Register BSY=1	400 ns
	Device Ready After Software Reset	Device Control Register RST=0 After RST=1	Status Register BSY=0 and RDY=1	31 sec
Hard Reset	Device Busy After Hard Reset	Bus RESET Signal Asserted	Status Register BSY=1	400 ns
	Device Ready After Hard Reset	Bus RESET Signal Asserted	Status Register BSY=0 and RDY=1	31 sec
Data In Command	Device Busy After Command Code Out	OUT To Command Register	Status Register BSY=1	400 ns
	Interrupt, DRQ For Data Transfer In	Status Register BSY=1	Status Register BSY=0 & DRQ=1, Interrupt	30 sec
	Device Busy After Data Transfer In	256th Read From Data Register	Status Register BSY=1	10 us
Data Out Command	Device Busy After Command Code Out	OUT to Command Register	Status Register BSY=1	400 ns
	Device Busy After Data Transfer Out	256th Write From Data Register	Status Register BSY=1	5 us
	Interrupt For Data Transfer Out	Status Register BSY=1	Status Register BSY=0 and RDY=1 Interrupt	30 sec
Non-Data Command	Device Busy After Command Code Out	OUT to Command Register	Status Register BSY=1	400 ns
	Interrupt For Command Complete	Status Register BSY=1	Interrupt	30 sec
DMA Data Transfer Command	Device Busy After Command Code Out	OUT to Command Register	Status Register BSY=1	400 ns

Figure 160. Time-out values

Command category is referred to in Section 10.0 , "Command Protocol" on page 95.

The abbreviations "ns", "us", "ms," and "sec" mean nanoseconds, microseconds, milliseconds, and seconds, respectively.

If the host detects a time-out while waiting for a response from the device, we recommend that the host system execute a Soft reset and then retry the command.

This page intentionally left blank.

Index

A

Abbreviations used, 1
Acoustics, 59
Actuator, 7
Address Offset, 92
Addressing of registers, 38
Advanced Power Management, 91
AT signal connector, 21
Automatic Acoustic Management, 92
Average latency, 15

C

Cable noise interference, 50
Cabling, 38
CE Mark, 62
Command descriptions, 103
Command overhead, 13
Command Protocol, 95
Commands, 85
Connector locations, 55
Control Electronics, 7
CSA standard conformity, 61
C-Tick Mark, 62
Cylinder allocation, 11
Cylinder switch time, 15

D

Data reliability, 50
Data transfer speed, 16
DC power connector, 21
DC power requirements, 47
Defect flagging, 19
Deviations from standard, 65
Dimensions, 52
DMA commands, 100
DMA queued commands, 101
DMA timings, 29
Drive ready time, 15
DRQ interval time, 28

E

ECC On The Fly correction, 50
Electrical interface, 21
Electromagnetic compatibility, 62

F

Flammability, 61

Formatted Capacity, 9
Full stroke seek, 14

G

General features, 3
German Safety Mark, 61

H

Head disk assembly, 7
Head switch time, 14
Heads unload and actuator lock, 55
Hole locations, 54
Host Protected Area Function, 87
Humidity, 45

I

Input voltage, 47
Interface logic signal levels, 25

J

Jumper pin assignment, 40
Jumper positions, 41
Jumper settings, 39

L

Labels, 60
LBA Addressing Mode, 76
Logical CHS Addressing Mode, 76

M

Mechanical positioning, 13
Mechanical specifications, 52
Mode transition time, 18

N

Non-data commands, 99

O

Operating conditions, 45
Operating mode definition, 18

P

Passwords, 81
Performance characteristics, 13
PIO Data In commands, 95
PIO Data Out commands, 97

- PIO timings, 27
- PList physical format, 19
- Power management, 78
- Power modes, 78
- Power supply current, 47
- Power supply generated ripple, 49
- Power-Up In Standby, 91
- Preventive maintenance, 50

R

- Random access, 17
- Reassign Function, 90
- Registers, 67
- Reliability, 50
- Reset, 73
- Reset timings, 26

S

- S.M.A.R.T., 79
- Safety, 61
- Sector Addressing Mode, 76
- Security, 81
- Seek Overlap, 89
- Shipped format, 19
- Shipping conditions, 45
- Shock, 56
- Signal definition, 22
- Signal timings, 26
- Simple sequential access, 17
- Single track seek time, 15
- Sound power levels, 59
- Standby timer, 78
- Start/stop cycles, 50

T

- Temperature, 45
- Throughput, 17
- Time-out values, 193

U

- Ultra DMA timings, 30

V

- Vibration, 56

W

- Write cache, 90



© International Business Machines Corporation 2002

www.ibm.com/harddrive

IBM Technology Group Support Center

Telephone: 888.426.5214 or 507.286.5825

Fax: 507.253.3748

E-mail: drive@us.ibm.com

Singapore Technology Group Support Center

Telephone: (65)6418.9595 or 1800.418.9595

E-mail: drive@sg.ibm.com

UK Technology Group Support Center

Telephone: 44.1475.898.125

E-mail: drive@uk.ibm.com

Germany Technology Group Support Center

Telephone: 49.7032.153050

E-mail: drive@de.ibm.com

IBM Storage Systems Division

5600 Cottle Road

San Jose, CA 95193

www.ibm.com/storage

Printed in the United States of America

06-2002

All Rights Reserved

IBM is a registered trademark of International Business Machines Corporation. Other company, product, and service names may be trademarks or service marks of others.

Product description data represents IBM's design objectives and is provided for comparative purposes; actual results may vary depending on a variety of factors. Product claims are true as of the date of the first printing. This product data does not constitute a warranty. Questions regarding IBM's warranty terms or the methodology used to derive this data should be referred to an IBM representative. Data subject to change without notice.

References in this publication to IBM products, programs, or services do not imply that IBM intends to make them available in all countries in which IBM operates.

Document # S07-4778-08

Publication # 2820