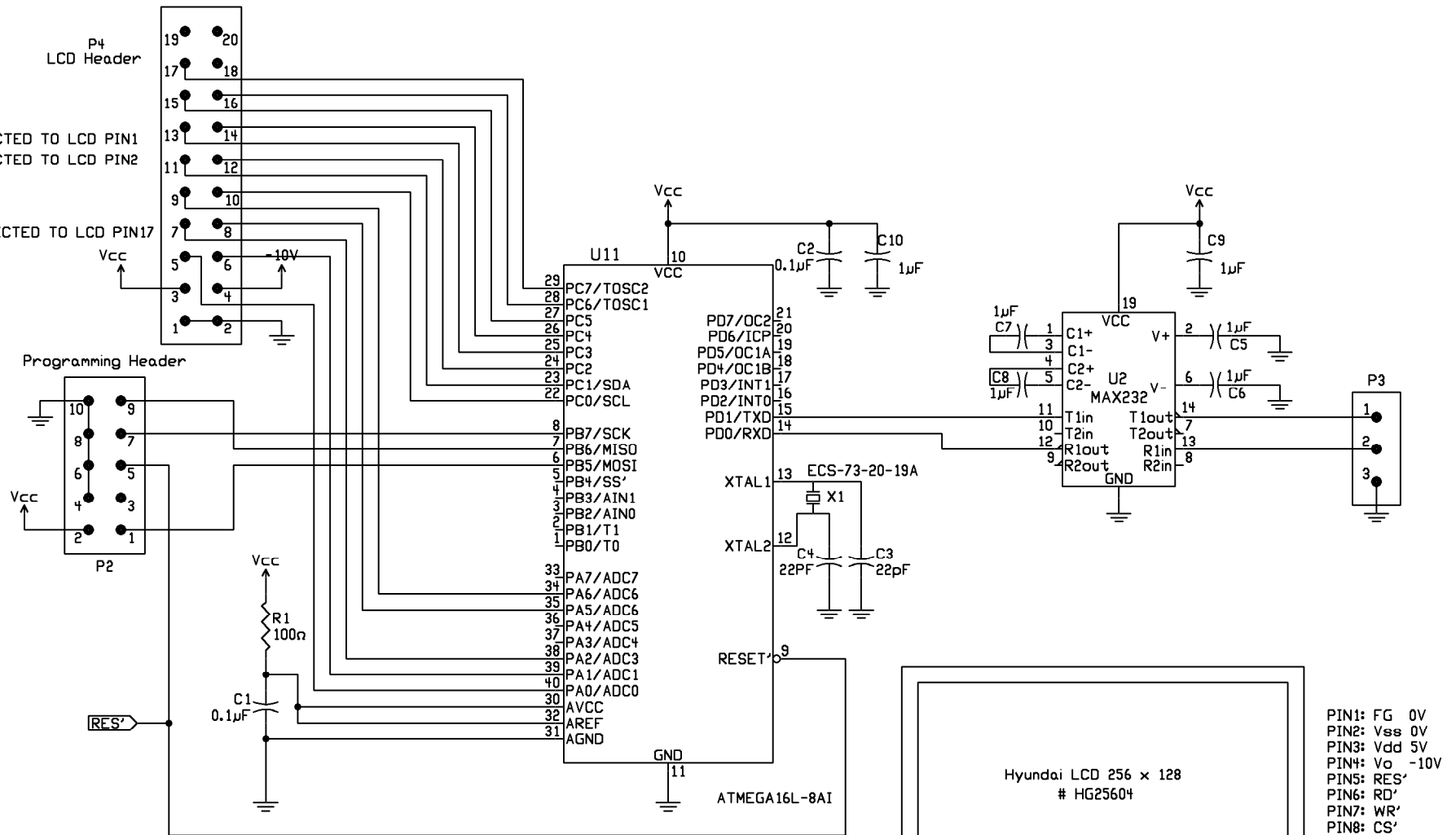
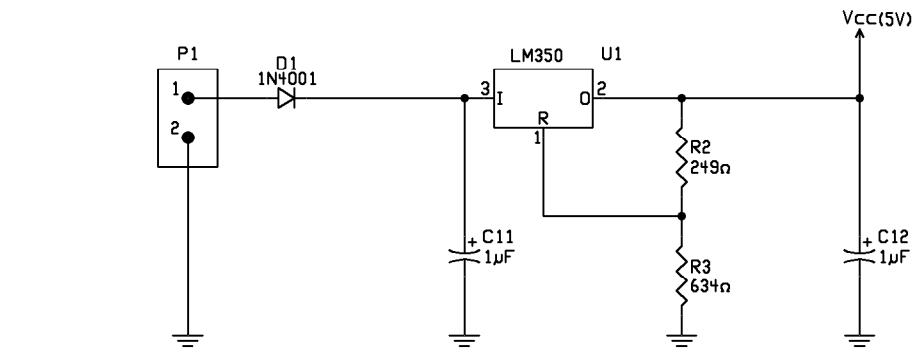


NOTE1:
P4 PIN1 CONNECTED TO LCD PIN1
P4 PIN2 CONNECTED TO LCD PIN2
...
P4 PIN17 CONNECTED TO LCD PIN17



- PIN1: FG 0V
- PIN2: Vss 0V
- PIN3: Vdd 5V
- PIN4: Vo -10V
- PIN5: RES'
- PIN6: RD'
- PIN7: WR'
- PIN8: CS'
- PIN9: AO
- PIN10: DB0
- PIN11: DB1
- PIN12: DB2
- PIN13: DB3
- PIN14: DB4
- PIN15: DB5
- PIN16: DB6
- PIN17: DB7

Pin1 - P17 Connected to P4 (SEE NOTE1!)



Co:	
Title:	Atmega16 & LCD Display
Board:	Revision: A
Author:	Size: A
Date:	2003/11/27
	Sheet 1 of 1